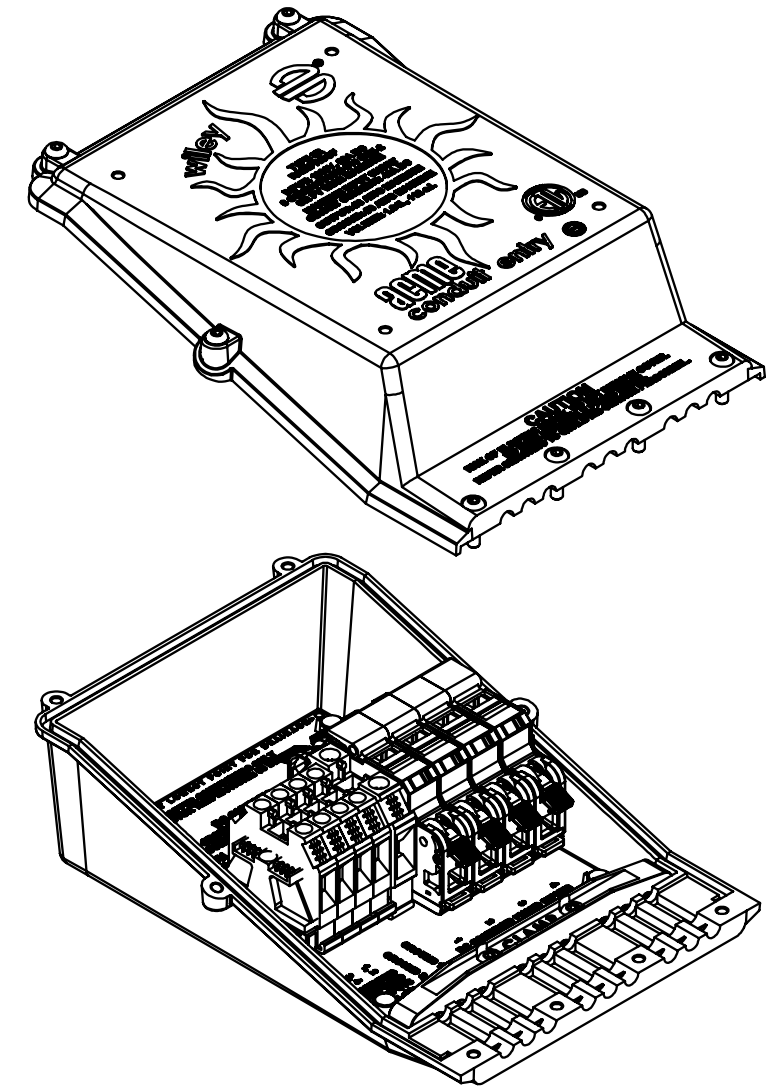
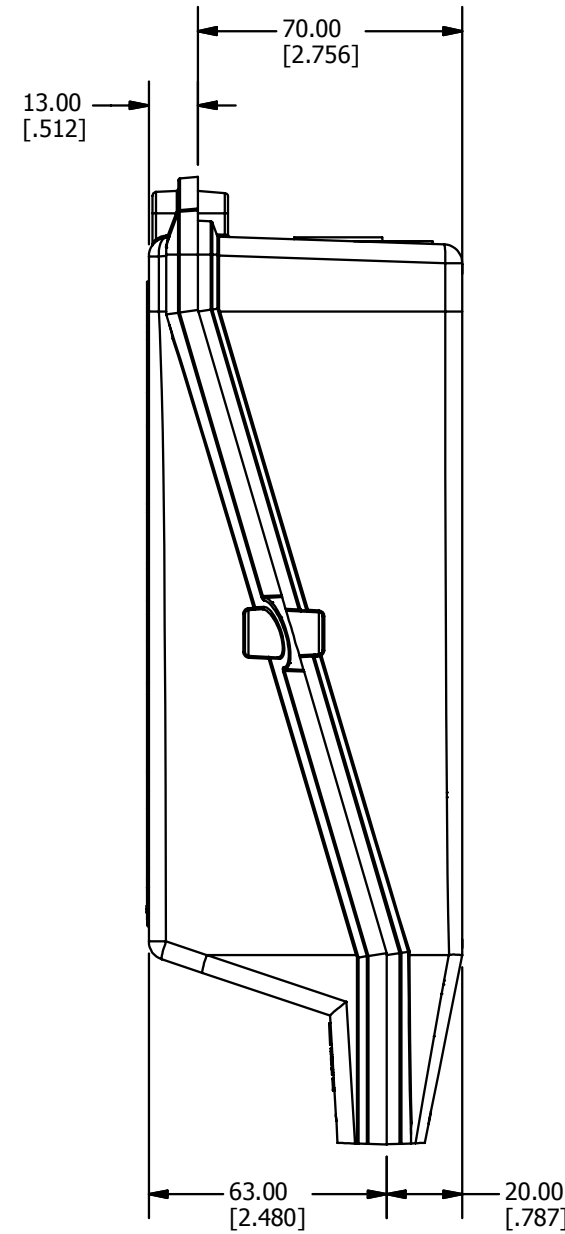
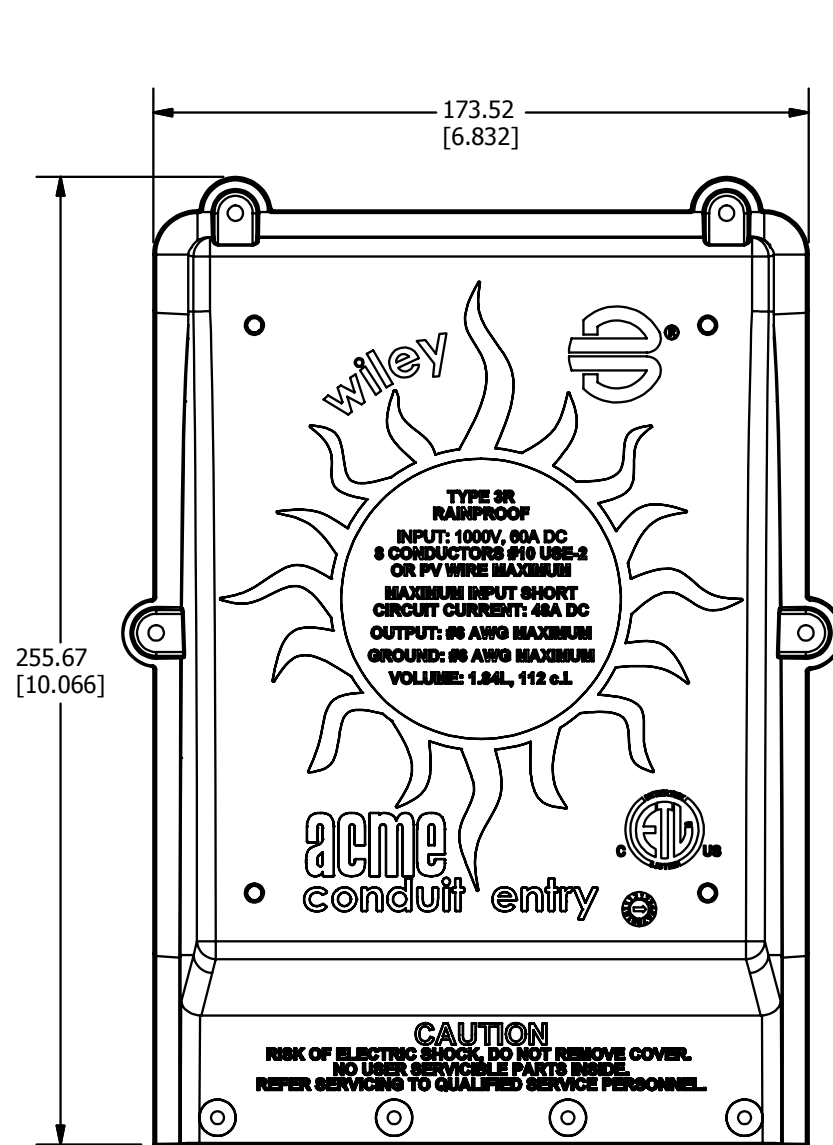


REV	DATE	DESCRIPTION	ECO	BY	C'H.K.
B	01/05/2016	ACE BOX UPDATED WITH NEW FUSE HOLDER, COMBINE BUS BAR AND BURNDY LOGO ADDED	42483	TM	DS



3D EXPLODED VIEW

NOTES:

- THIS DRAWING TO BE INTERPRETED PER ASME Y14.5M-2009.
- DIMENSIONS IN BRACKETS [] ARE IN INCHES ROUNDED OFF TO THE NEAREST TENTH, UNLESS OTHERWISE SPECIFIED AND ARE FOR REFERENCE ONLY.

TO ORDER BURNDY PRODUCTS CALL		ACE 4-STR COMBINER BOX	
UNITED STATES		ITEM NO: 50049811	
1-800-346-4175 (LONDONDERRY, NH)		CAT. NO: ACE-4C-1GND	
CANADA:		DRAWN BY: M THAMARAI 1/5/2016	
1-800-361-6975 (QUEBEC)		CHECKER: D SHEA 1/9/2016	
1-800-387-6487 (ALL OTHER PROVINCES)		DSN APRVL: E MARTIN 1/12/2016	
FOR PRODUCT INFO: http://www.burndy.com		MFG APRVL: M STEVENS 1/14/2016	
		QA APRVL: C KOWALCZYK 1/15/2016	
		MKT APRVL: S PARSONS 1/12/2016	
		PROD FAM: WILEY	
		DRAWING NO	
		50049639	
		REV	
		B	
		SHEET 1 OF 1	