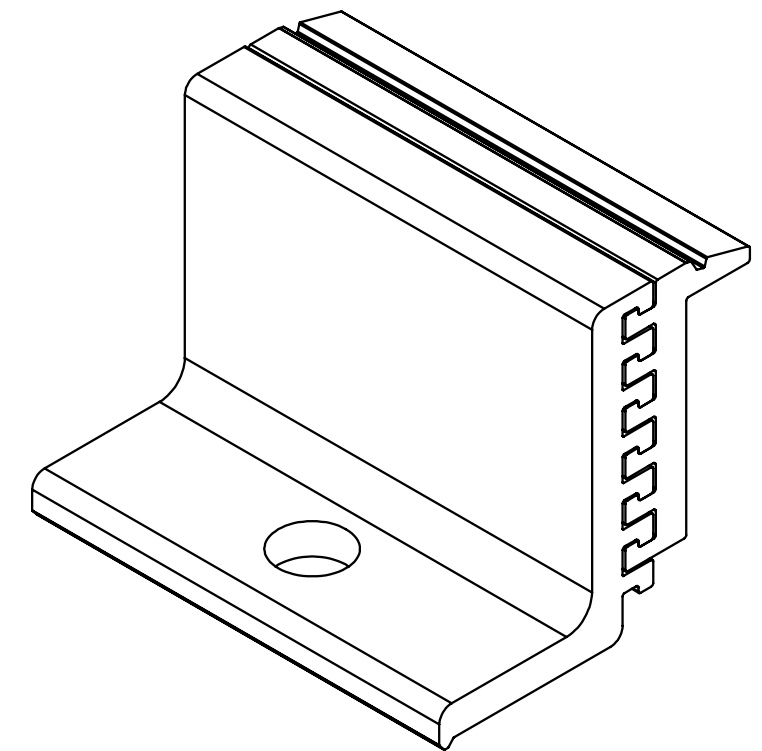
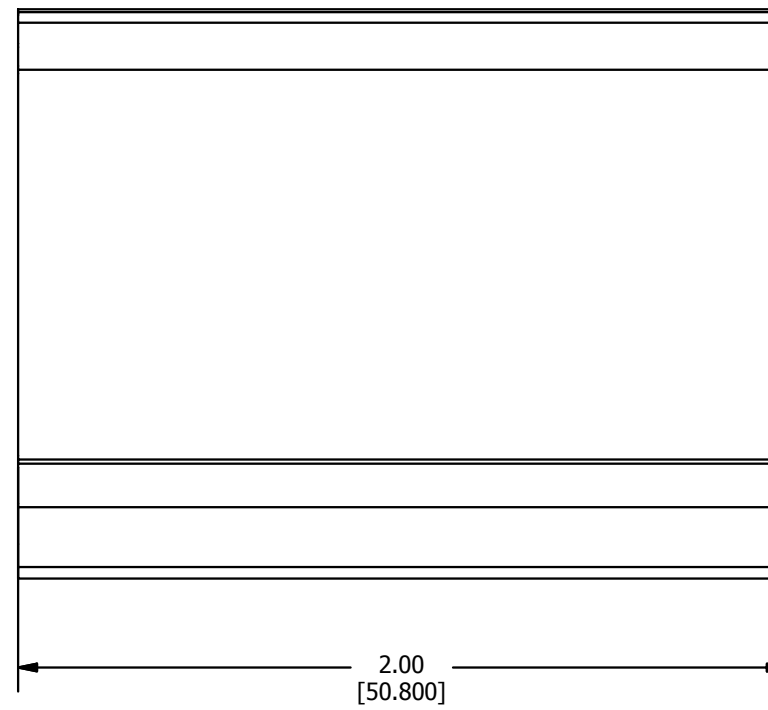
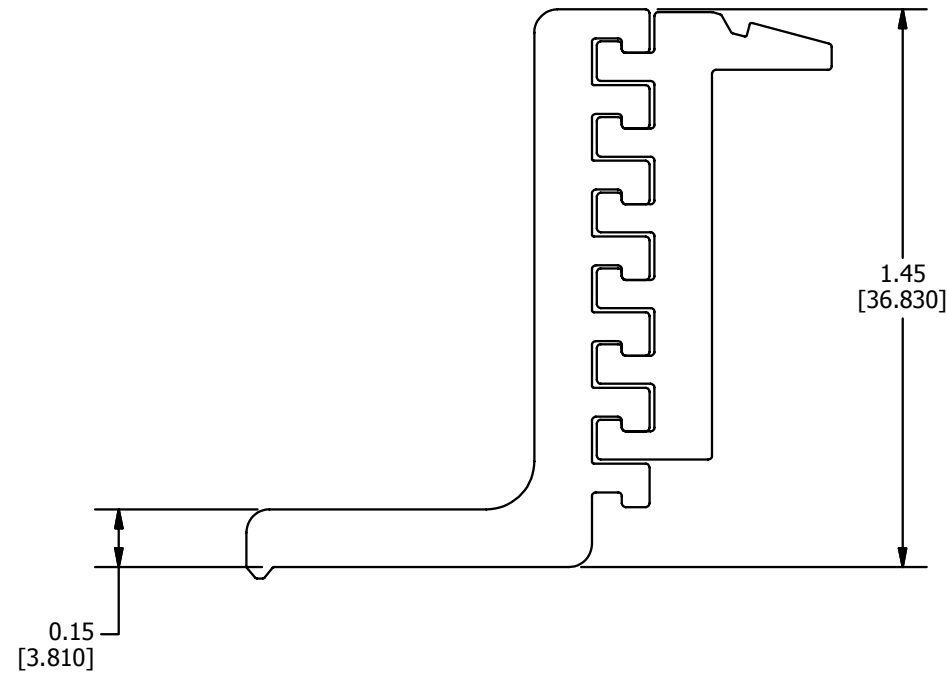


REV	DATE	DESCRIPTION	ECO	BY	C'H.K.
B	11/11/2014	ITEM NUMBER UPDATED	38350	TM	KM



**3D VIEW**

**NOTES:**

1. DIMENSIONS IN BRACKETS [ ] ARE IN INCHES ROUNDED OFF TO THE NEAREST TENTH, UNLESS OTHERWISE SPECIFIED AND ARE FOR REFERENCE ONLY.
2. MATERIAL: ALUMINUM
3. FINISH: CLEAR ANODIZED
4. ADJUSTABLE TO FIT MODULE HEIGHTS OF 30mm-55mm.

TO ORDER BURNDY® PRODUCTS CALL		ADJUSTABLE END CLAMP 5/16"	
UNITED STATES 1-800-346-4175 (LONDONDERRY, NH)		ITEM NO: 50046646	
CANADA: 1-800-361-6975 (QUEBEC) 1-800-387-6487 (ALL OTHER PROVINCES)		CAT. NO: BEC2-516CL	
FOR PRODUCT INFO: <a href="http://www.burndy.com">http://www.burndy.com</a>		DRAWN BY: M THAMARAI 11/12/2014	
		CHECKER: E MARTIN 11/11/2014	
		DSN APRVL: E MARTIN 11/11/2014	
		MFG APRVL: --	
		QA APRVL: C KOWALCZYK 11/11/2014	
		MKT APRVL: S PARSONS 11/11/2014	
PROD FAM: WILIEY	DRAWING NO	REV	
PROJECT #: --	SIZE	50049656	
DOCUMENT TYPE: SALES	B	B	
REL LEVEL: Released	SHEET 1 OF 1		