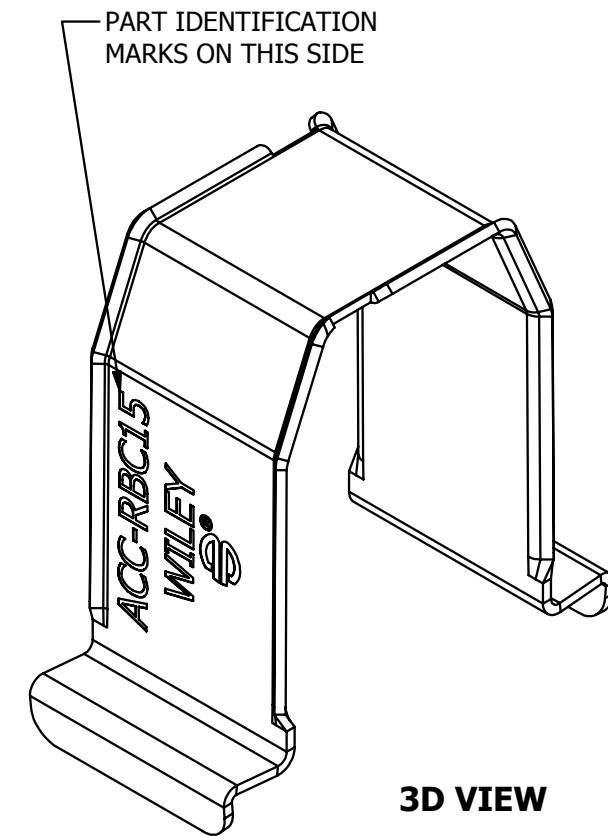
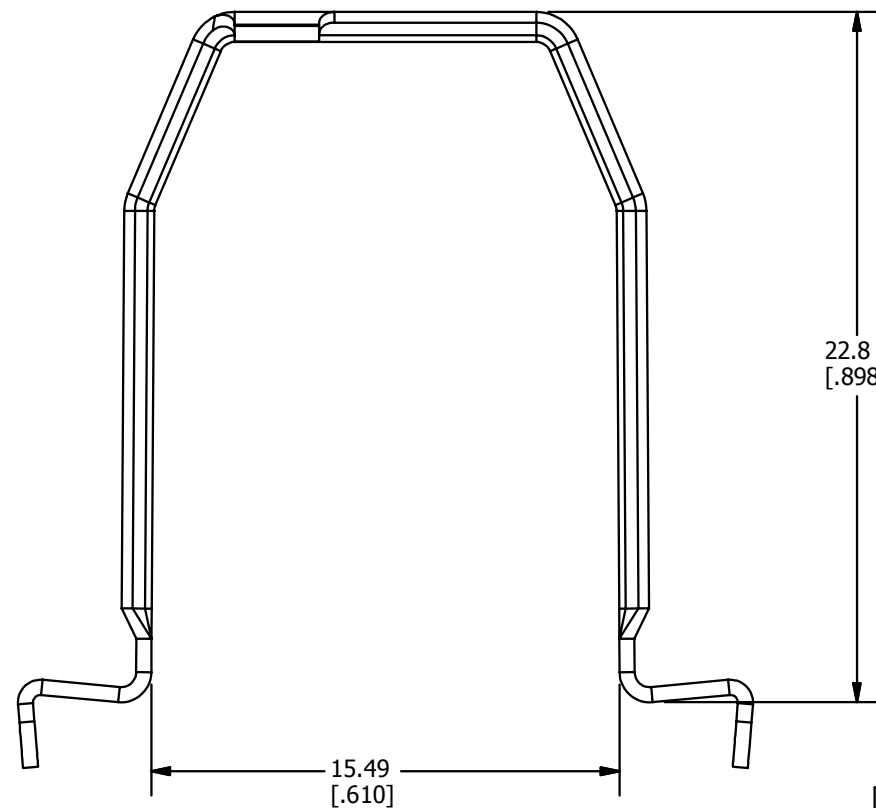
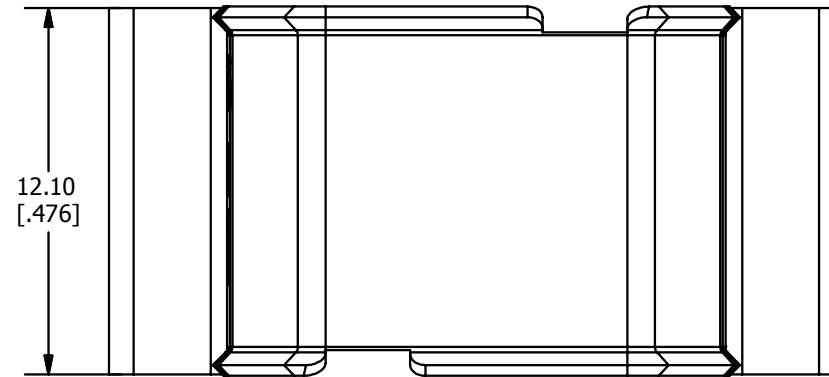
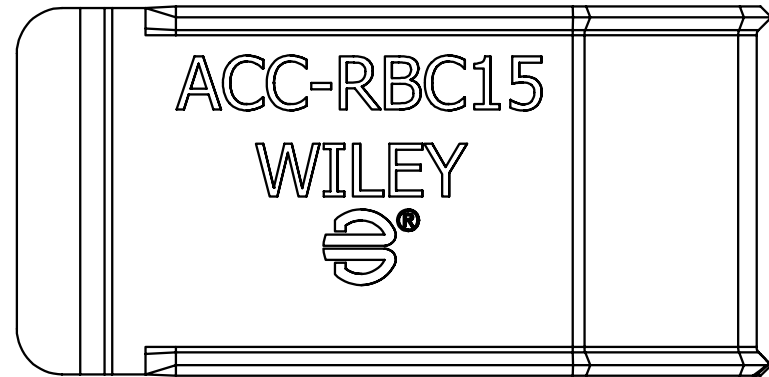


REV	DATE	DESCRIPTION	ECO	BY	CHK.
C	12/17/2015	UPDATED THE DIMENSIONS	42381	GN	EM



**NOTES:**

1. MATERIAL: 304 STAINLESS STEEL.
2. DIMENSIONS IN BRACKETS [ ] ARE IN INCHES ROUNDED OFF TO THE NEAREST TENTH, UNLESS OTHERWISE SPECIFIED AND ARE FOR REFERENCE ONLY.
3. FOR USE IN CHANNELS FROM 8 TO 14mm

TO ORDER BURNDY PRODUCTS CALL  
 UNITED STATES  
 1-800-346-4175 (LONDONDERRY, NH)  
 CANADA:  
 1-800-361-6975 (QUEBEC)  
 1-800-387-6487 (ALL OTHER PROVINCES)  
 FOR PRODUCT INFO: <http://www.burndy.com>

RAIL CHANNEL CLIP		DRAWING NO	REV
ITEM NO: 50050035		50050037	C
CAT. NO: ACC-RBC15			
DRAWN BY: GNATHR	12/21/2015		
CHECKER: E MARTIN	12/15/2015		
DSN APRVL: E MARTIN	12/15/2015		
MFG APRVL: --			
QA APRVL: C KOWALCZYK	12/16/2015		
MKT APRVL: S PARSONS	12/16/2015	SHEET 1 OF 1	
PROD FAM: WILEY			
PROJECT #:	SIZE		
DOCUMENT TYPE: SALES	B		
REL LEVEL: Released			