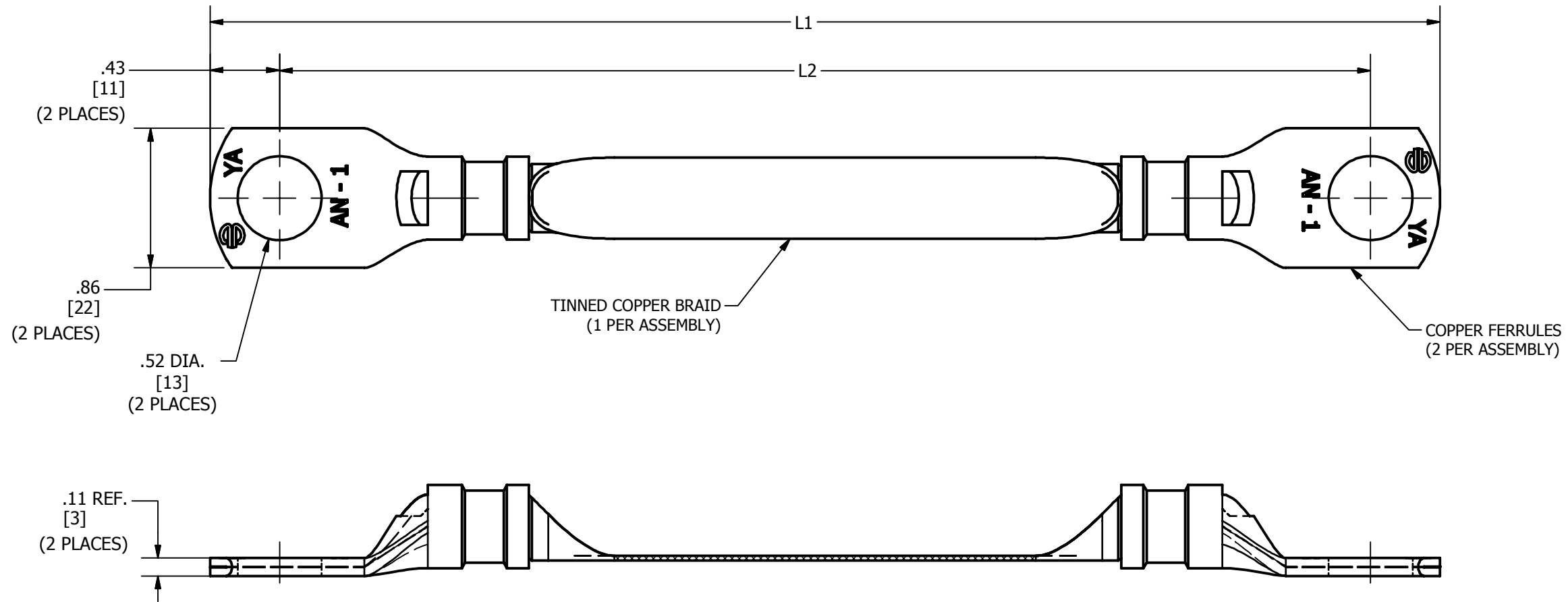


ITEM NO.	CATALOG NO.	L1	L2
50047572	BB048L12LT12	12.86 [327]	12.00 [305]
50047573	BB048L18LT12	18.86 [479]	18.00 [457]
50047574	BB048L24LT12	24.86 [631]	24.00 [610]
50072223	BB048L66LT12	66.86 [1698]	66.00 [1676]

REV	DATE	DESCRIPTION	ECO	BY	CHK.
B	05/26/2016	FOCUS REQUSET #FPN1605052	43888	AS	MB



NOTES:

1. DIMENSIONS IN BRACKETS [ ] ARE IN MILLIMETERS ROUNDED OFF TO THE NEAREST MILLIMETER, UNLESS OTHERWISE NOTED AND ARE FOR REFERENCE ONLY.

2. MATERIAL:  
BRAID - TIN PLATED COPPER  
LUG - TIN PLATED COPPER

TO ORDER BURNDY® PRODUCTS CALL		BONDING JUMPER 1/2" STUD	
UNITED STATES 1-800-346-4175 (LONDONDERRY, NH)		ITEM NO: SEE TABLE	
CANADA: 1-800-361-6975 (QUEBEC) 1-800-387-6487 (ALL OTHER PROVINCES)		CAT. NO: BB048L-LT12 (TABLE)	
FOR PRODUCT INFO: <a href="http://www.burndy.com">http://www.burndy.com</a>		DRAWN BY: C. RAJEEV GANDHI 11/27/2014	
		CHECKER: L. TROMBLEY 12/16/2014	
		DSN APRVL: L. TROMBLEY 12/18/2014	
		MFG APRVL: S. MATTHEW 12/17/2014	
		QA APRVL: L. CARL 12/22/2014	
		MKT APRVL: R. KATHLEEN 12/17/2014	
PROD FAM: --	DRAWING NO	REV	
PROJECT #: --	SIZE	50053124	B
DOCUMENT TYPE: SALES	B	SHEET 1 OF 1	
REL LEVEL: Released			