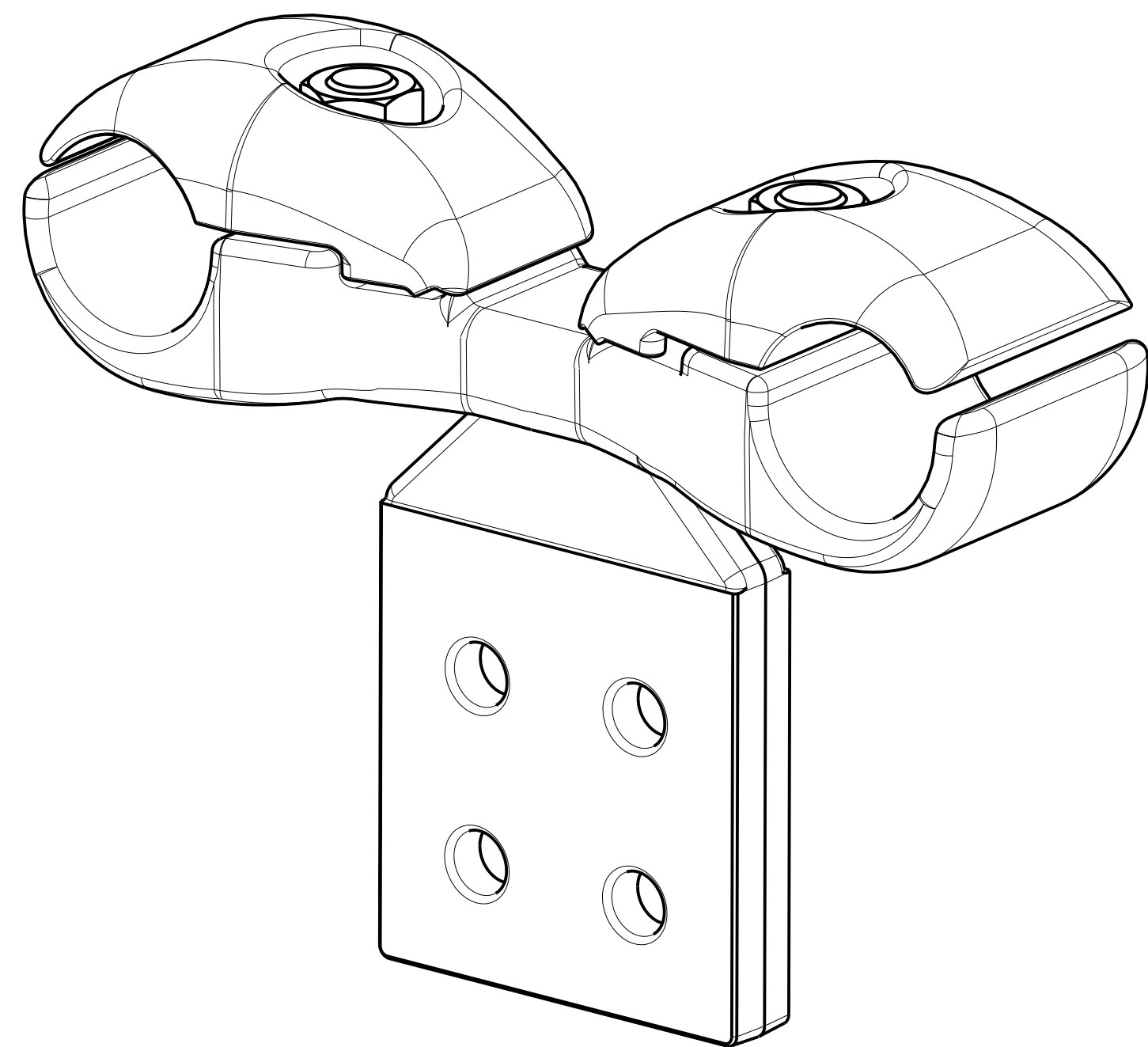
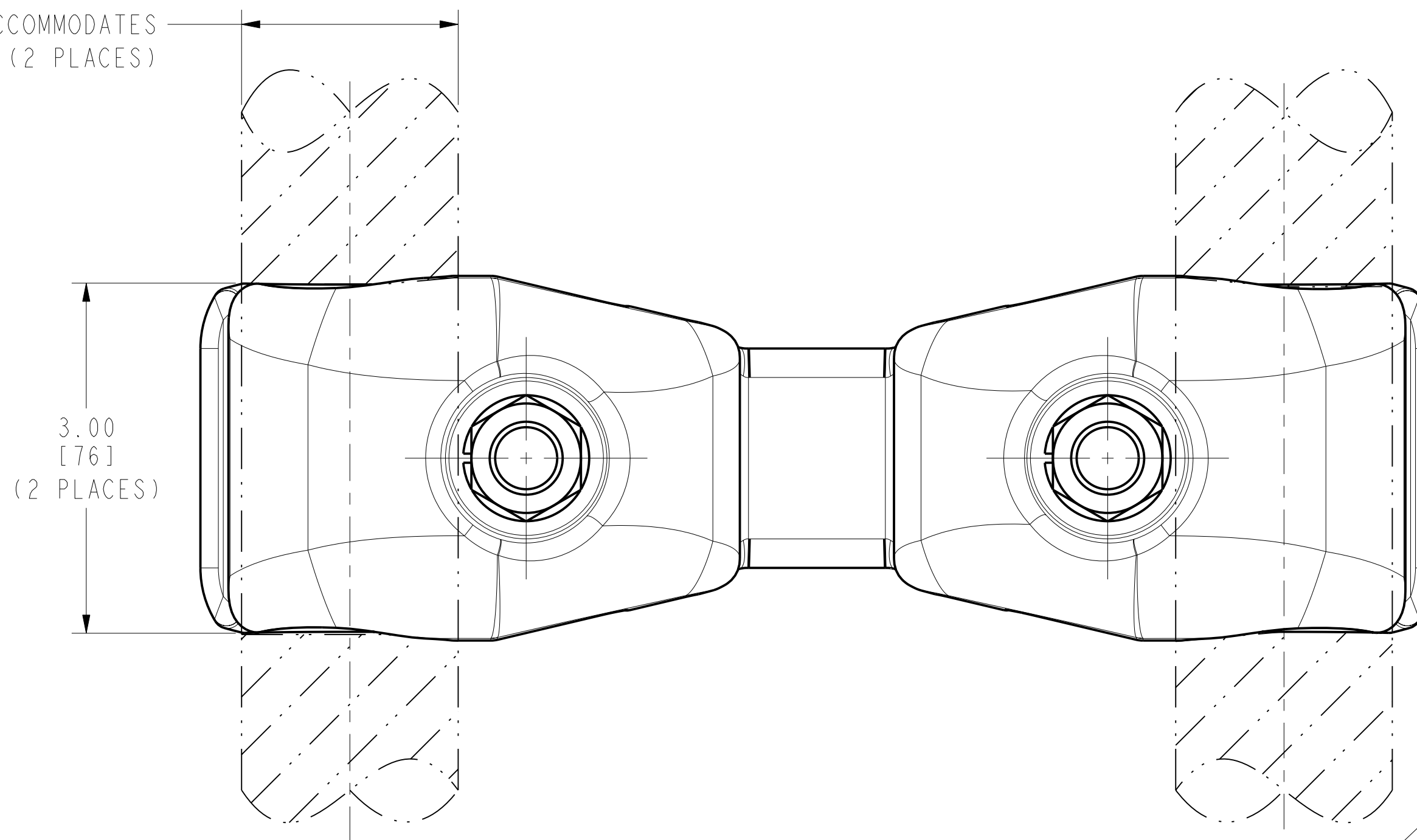


REV	DATE	DESCRIPTION	ECO	BY	C'H'K.
A	12/12/2014 01:00:00 AM	DRAWING RELEASED	38673	MM	NJS

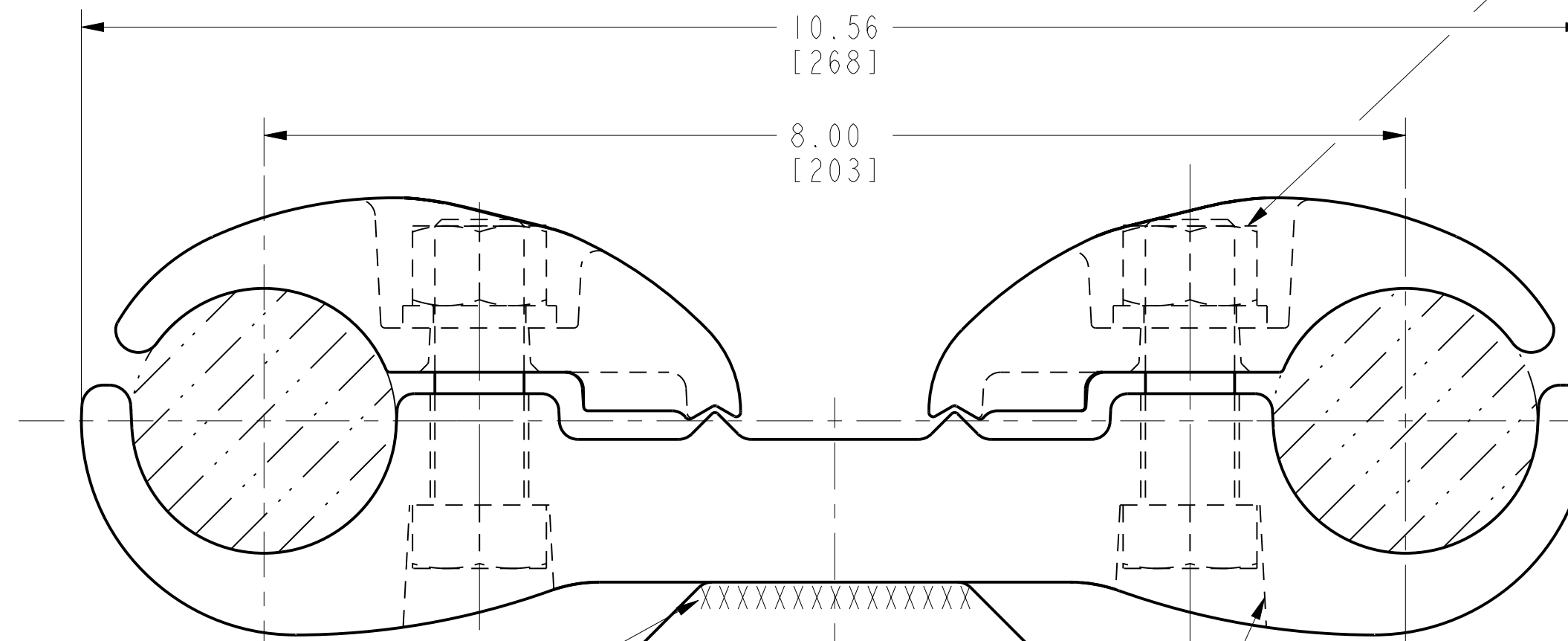


3D VIEW

SEE ACCOMMODATES  
(2 PLACES)



3.00  
[76]  
(2 PLACES)

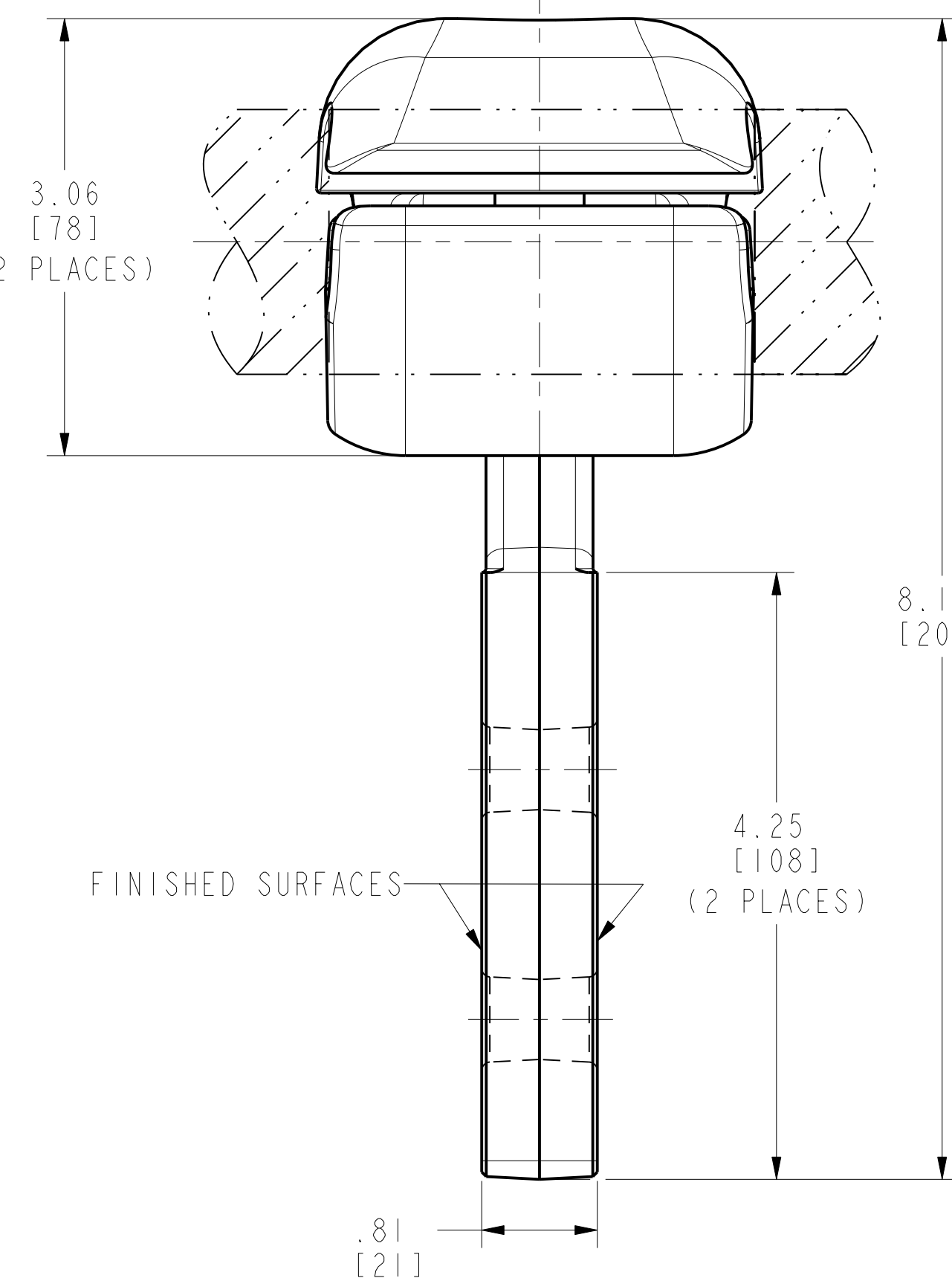


10.56  
[268]

8.00  
[203]

5/8-11 HEX. HEAD ALUMINUM BOLT AND  
HEX. NUT WITH GALVANIZED STEEL  
SPLIT LOCK WASHER  
(2 PLACES)

3.06  
[78]  
(2 PLACES)



8.13  
[207]

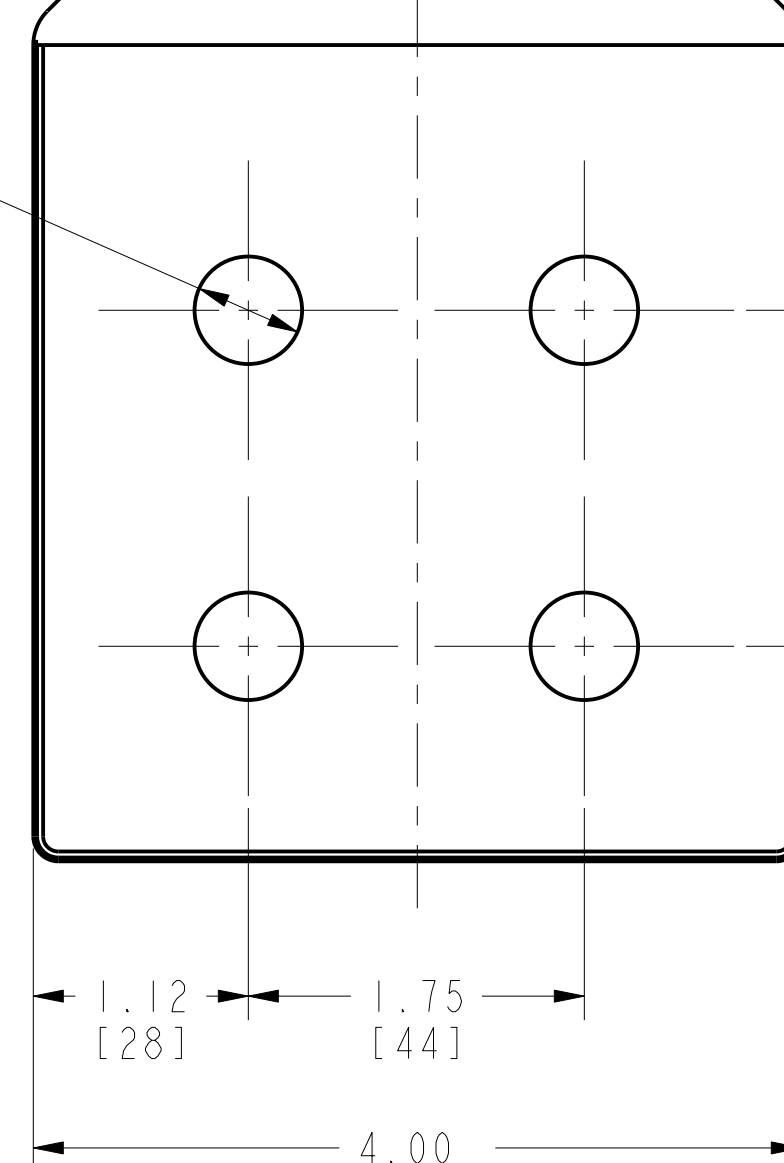
4.25  
[108]  
(2 PLACES)

.81  
[21]

NOTES:

- 1 MATERIAL:  
CAST ALUMINUM ALLOY
- 2 ACCOMMODATES:  
(2) 2300 Kcmil 61 STR (1.750 [44] DIA.) - 2500 Kcmil, 127 STR (1.824 [46] DIA.) AAC  
(2) 2167 Kcmil 72/7 STR (1.737 [44] DIA.) - 2156 Kcmil, 84/19 (1.762 [45] DIA.) ACSR
- 3 NOMINAL BOLT INSTALLATION TORQUE:  
5/8-11 HEX. ALUMINUM HARDWARE - 480 LB-IN [55 Nm]
- 4 DIMENSIONS IN BRACKETS [ ] DENOTES METRIC UNITS [SI UNITS]  
AND ARE ROUNDED TO THE NEAREST WHOLE NUMBER, UNLESS  
OTHERWISE SPECIFIED THESE UNITS SHALL BE USED FOR  
REFERENCE ONLY.
- 5 PENETROX™ NOTE: SCRATCH BRUSH CONNECTOR CONTACT SURFACE DRY,  
THEN APPLY PENETROX™ A. PENETROX™ A CAN BE PURCHASED FROM BURNDY  
LLC, IN CANS OR PLASTIC SQUEEZE BOTTLES.
- 6 THE CONCEPT SHOWN INCORPORATES DESIGN PRINCIPLES WHICH PERMIT  
OPERATION AT A VOLTAGE GRADIENT NORMALLY ASSOCIATED WITH 550 KV RMS  
OPERATION PHASE TO PHASE.
- 7 HEX. BOLTS CAPTURED TO PREVENT TURNING DURING INSTALLATION.
- 8 MARKING:  
BURNDY  
S2GBP486A8  
(2) 2300 Kcmil-2500 Kcmil AAC  
(2) 2167 Kcmil-2156 Kcmil ACSR

.56 DIA.  
[14]  
(4 PLACES)



7

1.75  
[44]

1.12  
[28]

1.12  
[28]

1.75  
[44]

4.00  
[102]

6.57  
[167]

FACTORY WELD

XXXXXXXXXXXXXXXXXXXX

TO ORDER BURNDY® PRODUCTS CALL		SPACER WITH TERMINAL PAD	
UNITED STATES 1-800-346-4175 (LONDONDERRY, NH)		ITEM NO: 10012574	SCALE: 1:1
CANADA: 1-800-361-6975 (QUEBEC) 1-800-387-6487 (ALL OTHER PROVINCES)		CAT. NO: S2GBP486A8	DRAWING NO: 50053617
FOR PRODUCT INFO: <a href="http://www.burndy.com">http://www.burndy.com</a>		DRAWN BY: M SUBRAMANI 11/24/14	REV: A
		CHECKER: B MANIKANDAN 11/24/14	
		DSN APPVL: R LAVOIE 01/10/15	
		MFG APPVL: R CRUZ 01/17/15	
		QA APPVL: E VARGAS 01/15/15	
		MKT APPVL: S MOIST 01/10/15	
		PROD FAM: SUBSTATION	
		PROJECT #: --	
		DOCUMENT TYPE: Sales	
		REL LEVEL: Released	

