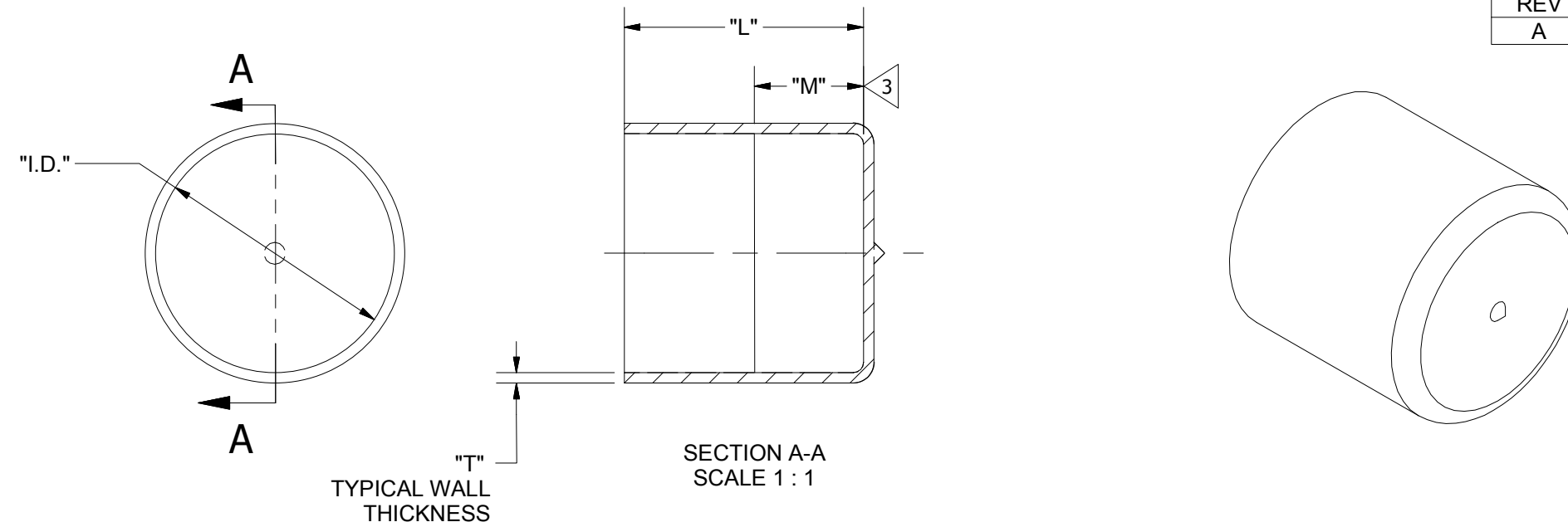


REV	DATE	DESCRIPTION	ECO	BY	C'H'K.
A	05/22/2015	RELEASED	40088	AM	RC



BURNDY ITEM #	BURNDY CATALOG #	I.D. IN / [MM]	"T" Dim IN / [MM]	"L" Dim IN / [MM]	"M" Dim IN / [MM]	COLOR	WIRE RANGE IN / [MM]	PC/BAG	BOX QTY
50038782	BSC687	0.69 / [17]	0.06 / [2]	1.50 / [38]	0.38 / [10]	RED	.69 / [18] - .75 / [19]	3	300
50038783	BSC1000	1.00 / [25]	0.06 / [2]	1.50 / [38]	0.38 / [10]	ORANGE	1.00 / [1] - 1.08 / [1]	3	300
50038784	BSC1125	1.13 / [29]	0.06 / [2]	1.50 / [38]	0.38 / [10]	YELLOW	1.13 / [29] - 1.21 / [31]	3	300
50038785	BSC1375	1.38 / [35]	0.06 / [2]	1.50 / [38]	0.38 / [10]	GRAY	1.38 / [35] - 1.47 / [37]	3	300
50038786	BSC1500	1.50 / [38]	0.06 / [2]	1.50 / [38]	0.38 / [10]	BLACK	1.53 / [39] - 1.63 / [41]	3	300
50038787	BSC1875	1.88 / [48]	0.06 / [2]	1.50 / [38]	0.38 / [10]	YELLOW	1.90 / [48] - 2.04 / [52]	3	150
50038789	BSC2375	2.38 / [60]	0.06 / [2]	1.50 / [38]	0.38 / [10]	BLUE	2.39 / [61] - 2.55 / [65]	3	150
50038791	BSC250025	2.50 / [64]	0.06 / [2]	2.50 / [64]	0.62 / [16]	BLACK	2.50 [64] - 2.66 / [68]	3	150

NOTES:

1. THIS DRAWING TO BE INTERPRETED PER ASME Y14.5M-2009.
2. DIMENSIONS IN BRACKETS [] ARE IN MILLIMETERS ROUNDED OFF TO THE NEAREST MILLIMETER, UNLESS OTHERWISE SPECIFIED.

3 END OF CAP IS FILLED WITH SUPERSEAL ADHESIVE.

TO ORDER BURNDY® PRODUCTS CALL		CAP SC (SUPER SEAL)	
UNITED STATES 1-800-346-4175 (LONDONDERRY, NH)		ITEM NO: SEE TABLE	
CANADA: 1-800-361-6975 (QUEBEC) 1-800-387-6487 (ALL OTHER PROVINCES)		CAT. NO: SEE TABLE	
FOR PRODUCT INFO: http://www.burndy.com		DRAWN BY: A.MONTMINY 12/5/2014	
		CHECKER: --	
		DSN APRVL: A.MONTMINY 5/22/2015	
		MFG APRVL: E.MONTIJO 5/22/2015	
		QA APRVL: C.KOWALCZYK 5/22/2015	
		MKT APRVL: R.CAVANAUGH 5/22/2015	
		PROD FAM: --	
		DRAWING NO	
		50054479	
		REV	
		A	
		SHEET 1 OF 1	