

JAW STYLES				
ITEM NO.	CATALOG NO.	FIG.	PERMANENT GROOVE DIE INDEX	ACCOMMODATED DIE TYPE
50056623	PATMD6LWJAW	1	BG	W-DIES
50056624	PATMD68LWJAW	2	O	W-DIES
50056625	PATMD66LWJAW	3	--	W-DIES
50054528	PATMDCUTLWJAW	4	--	--
50090485	PATMDCUTCLWJAW	5	--	--
50097777	PATMDCUTGLWJAW	6	--	--
50097786	PATMDXPJLWJAW	7	X, P, J	--
50097787	PATMD430LWJAW	8	--	--

REV	DATE	DESCRIPTION	ECO	BY	C'H'K.
G	9/27/19	UPDATED WITH PATMD430LWJAW	52075	PW	TF

CRIMP CAPACITY (PATMD6-LWJAW)		
CONNECTOR TYPE	CONDUCTOR TYPE	SIZE RANGE
TERMINALS AND SPLICES	COPPER	#8 AWG-500 kcmil
TERMINALS AND SPLICES	FLEX COPPER	#8 AWG-350 kcmil
TERMINALS AND SPLICES	ALUMINUM (AAC)	#8 AWG-350 kcmil
FULL-TENSION	ACSR	#10 - 4/0 AWG
TAPS	COPPER	#10 - 2/0 AWG
TAPS	ALUMINUM OR ACSR	#14 - 4/0 AWG
STIRRUPS	ACSR	#6 - 4/0 AWG

CUT CAPACITY (PATMDCUT-LWJAW)		
JAW TYPE	CONDUCTOR MAT'L	MAX SIZE
ACSR	ACSR	556.5 Kcmil (26/7) DOVE
ACSR	COPPER	350 Kcmil
ACSR	ALUMINUM	636 Kcmil (AAC) ORCHID
CU/AL	COPPER	600 Kcmil
CU/AL	ALUMINUM	636 Kcmil (AAC) ORCHID
GUY	EHS GUY	3/8"

CRIMP CAPACITY (PATMD430LWJAW)		
CONNECTOR TYPE	CONDUCTOR TYPE	SIZE RANGE
FULL TENSION SPLICES (YDS-RL)*	AAC, AAAC, ACSR	#4 - 3/0 AWG
PARTIAL TENSION SPLICES (YCS-RL)	AAC, AAAC, ACSR	#4 - 3/0 AWG

\*YDS4RL WITH #4 AAC IS RATED FOR NORMAL TENSION (60% RBS). ALL OTHERS IN FAMILY RATED FOR FULL TENSION (95% RBS) FOR ALL CONDUCTORS AND SIZES SHOWN.

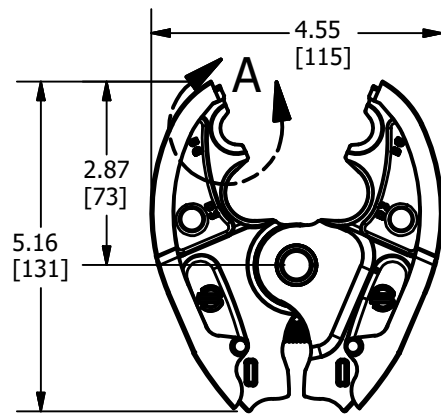


FIGURE 1  
PATMD6LWJAW

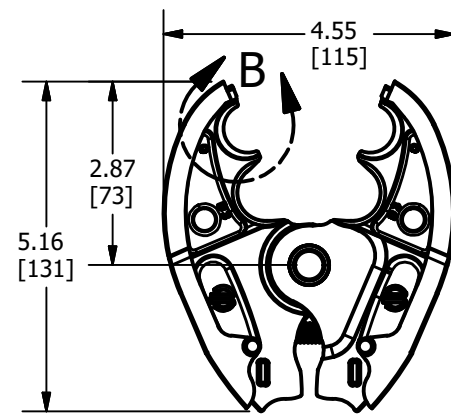


FIGURE 2  
PATMD68LWJAW

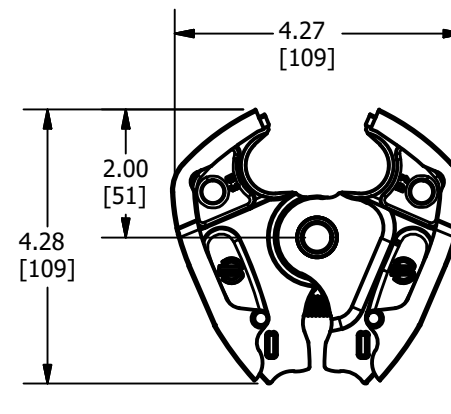


FIGURE 3  
PATMD66LWJAW

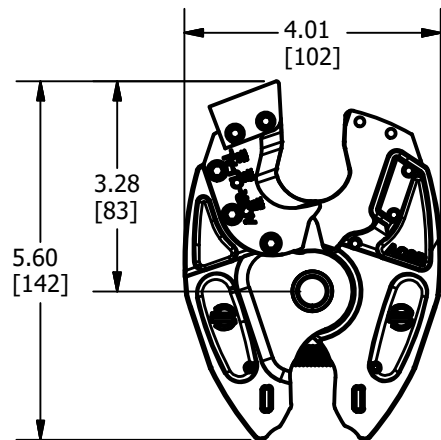


FIGURE 4  
PATMDCUTLWJAW

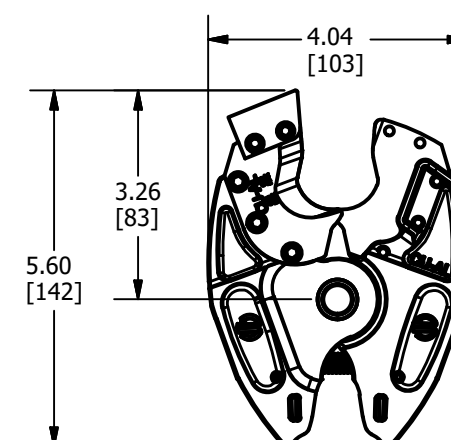


FIGURE 5  
PATMDCUTCLWJAW

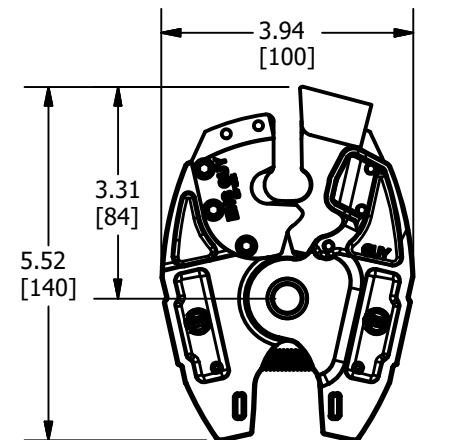


FIGURE 6  
PATMDCUTGLWJAW

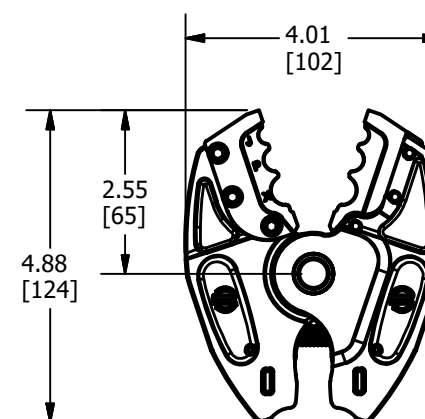


FIGURE 7  
PATMDXPJLWJAW

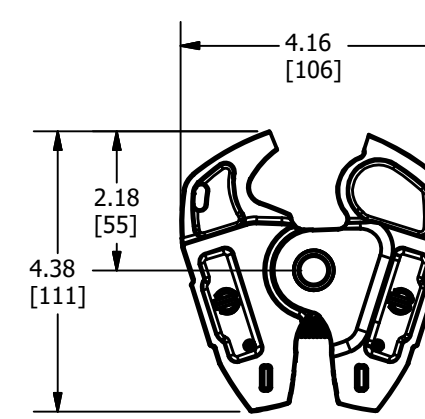
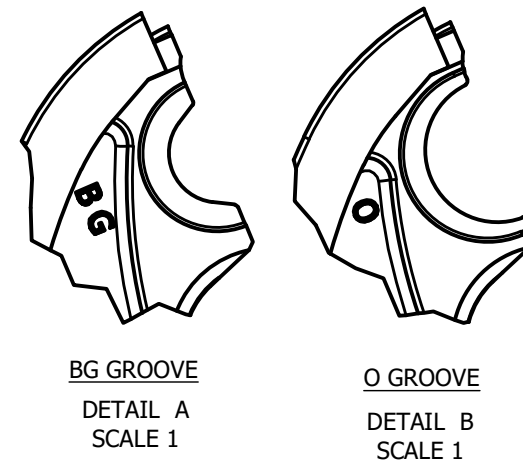


FIGURE 8  
PATMD430LWJAW



**NOTES:**

- DIMENSIONS IN BRACKETS [ ] ARE IN MILLIMETERS ROUNDED OFF TO THE NEAREST MILLIMETER, UNLESS OTHERWISE SPECIFIED AND ARE FOR REFERENCE ONLY.
- PERMANENT "BG" GROOVE SHOWN ON CAT NO. PATMD6LWJAW (FIGURE 1) HAS A SINGLE-GROOVE CRIMP PROFILE, WHILE DIE SET CATALOG NO. WBG (PURCHASED SEPARATELY) HAS A DOUBLE-CRIMP PROFILE.
- ALL JAW SETS ARE COMPATIBLE WITH PATMD-LW TOOLS ONLY (SEE DRAWING 50054521 FOR ADDITIONAL INFORMATION).

TO ORDER BURNDY® PRODUCTS CALL		PATMD-LW JAWS	
UNITED STATES 1-800-346-4175 (LONDONDERRY, NH)		ITEM NO: (SEE TABLE)	
CANADA: 1-800-361-6975 (QUEBEC) 1-800-387-6487 (ALL OTHER PROVINCES)		CAT. NO: PATMD-LWJAW	
FOR PRODUCT INFO: <a href="http://www.burndy.com">http://www.burndy.com</a>		DRAWN BY: P.WASON 9/6/2016	
		CHECKER: T.FAUCHER 3/7/2017	
		DSN APRVL: P.WASON 2/16/2017	
		MFG APRVL: --	
		QA APRVL: C.LINDQUIST 2/16/2017	
		MKT APRVL: L.PAQUETTE 2/16/2017	
		PROD FAM: TOOLS, BATTERY	DRAWING NO
		PROJECT #: --	50054529
		DOCUMENT TYPE: SALES	SIZE: B
		REL LEVEL: Released	REV: G
		SHEET 1 OF 1	