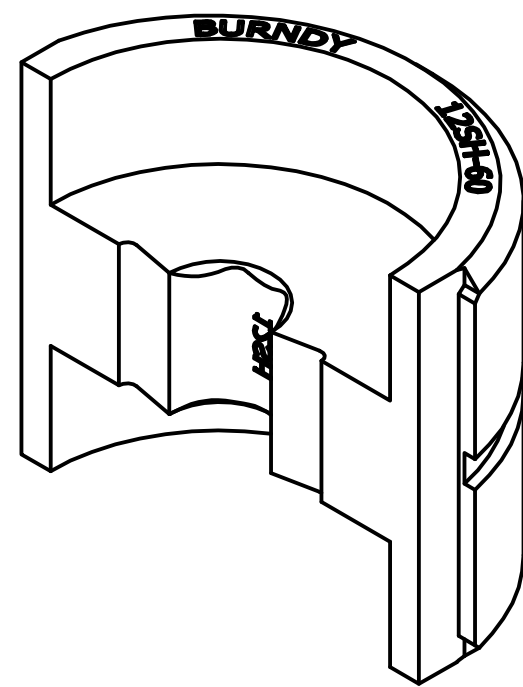
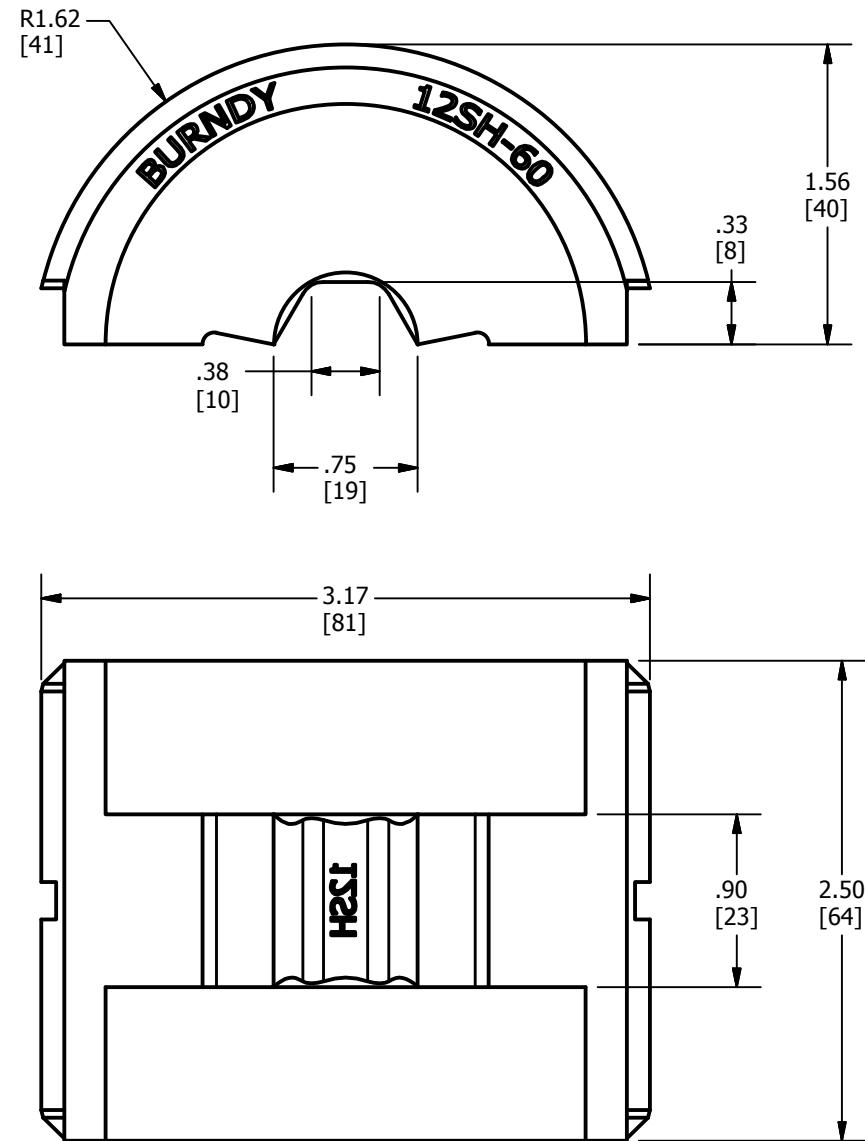


REV	DATE	DESCRIPTION	ECO	BY	C'H'K.
A	01/12/2015	INITIAL RELEASE	38858	MG	RM



**NOTES:**

1. INTERPRET THIS DRAWING PER ASME 14.5M-2009
2. DIMENSIONS IN BRACKETS [ ] ARE IN MILLIMETERS ROUNDED OFF TO THE NEAREST MILLIMETER, UNLESS OTHERWISE SPECIFIED AND ARE FOR REFERENCE ONLY.
3. MATERIAL: STAINLESS STEEL

TO ORDER BURNDY® PRODUCTS CALL		12SH-60	
UNITED STATES 1-800-346-4175 (LONDONDERRY, NH)		ITEM NO: 50047115	
CANADA: 1-800-361-6975 (QUEBEC) 1-800-387-6487 (ALL OTHER PROVINCES)		CAT. NO: 12SH-60	
FOR PRODUCT INFO: <a href="http://www.burndy.com">http://www.burndy.com</a>		DRAWN BY: D. Paquette 06-10-2014	
		CHECKER: J.LEAF0UR 01-30-2015	
		DSN APRVL: J.LEAF0UR 01-30-2015	
		MFG APRVL: A.JOHNS 01-30-2015	
		QA APRVL: C.LINDQUIST 01-30-2015	
		MKT APRVL: --	
		PROD FAM: --	
		PROJECT #: --	
		REL LEVEL: WorkInProgress	
		DRAWING NO	
		50055103	
		REV	
		A	