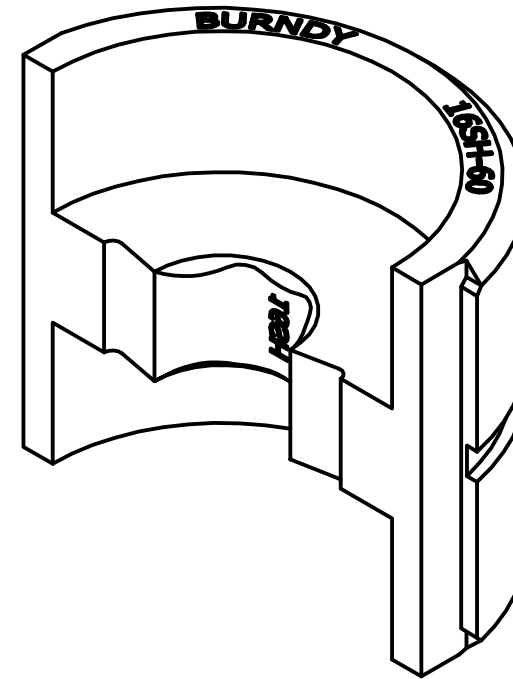
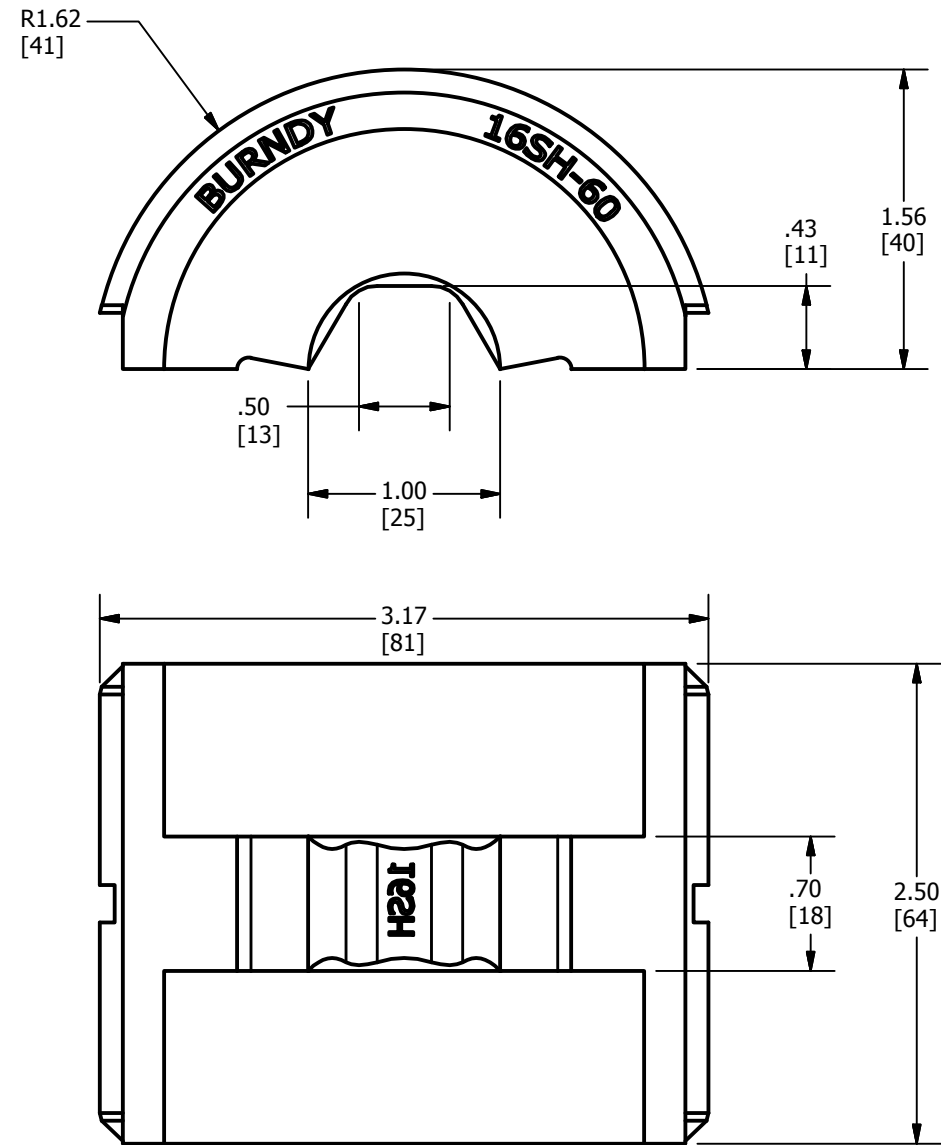


REV	DATE	DESCRIPTION	ECO	BY	C'H'K.
A	01/12/2015	INITIAL RELEASE	38858	MG	RM



NOTES:

1. INTERPRET THIS DRAWING PER ASME 14.5M-2009
2. DIMENSIONS IN BRACKETS [] ARE IN MILLIMETERS ROUNDED OFF TO THE NEAREST MILLIMETER, UNLESS OTHERWISE SPECIFIED AND ARE FOR REFERENCE ONLY.
3. MATERIAL: STAINLESS STEEL

TO ORDER BURNDY® PRODUCTS CALL		16SH-60	
UNITED STATES		ITEM NO: 50047143	
1-800-346-4175 (LONDONDERRY, NH)		CAT. NO: 16SH-60	
CANADA:		DRAWN BY: D. Paquette 06-10-2014	
1-800-361-6975 (QUEBEC)		CHECKER: J.LEAF0UR 01-30-2015	
1-800-387-6487 (ALL OTHER PROVINCES)		DSN APRVL: J.LEAF0UR 01-30-2015	
FOR PRODUCT INFO: http://www.burndy.com		MFG APRVL: A.JOHNS 01-30-2015	
		QA APRVL: C.LINDQUIST 01-30-2015	
		MKT APRVL: --	
		PROD FAM: --	
		DRAWING NO	
		50055105	
		REV	
		A	
		SIZE	
		B	
		DOCUMENT TYPE: SALES	
		REL LEVEL: Released	
		SHEET 1 OF 1	