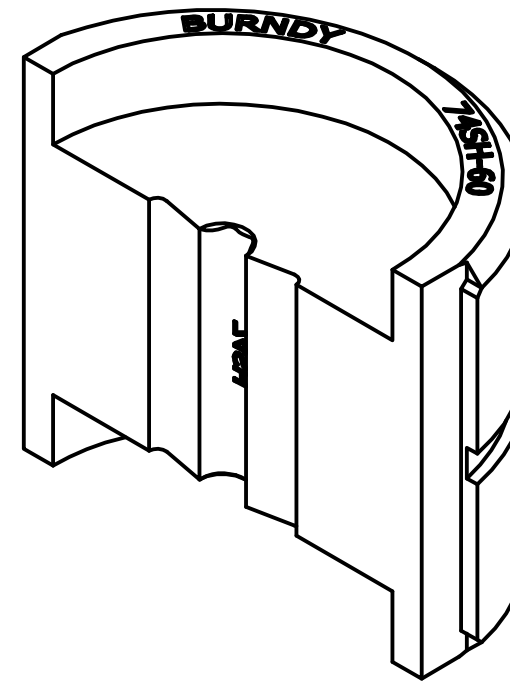
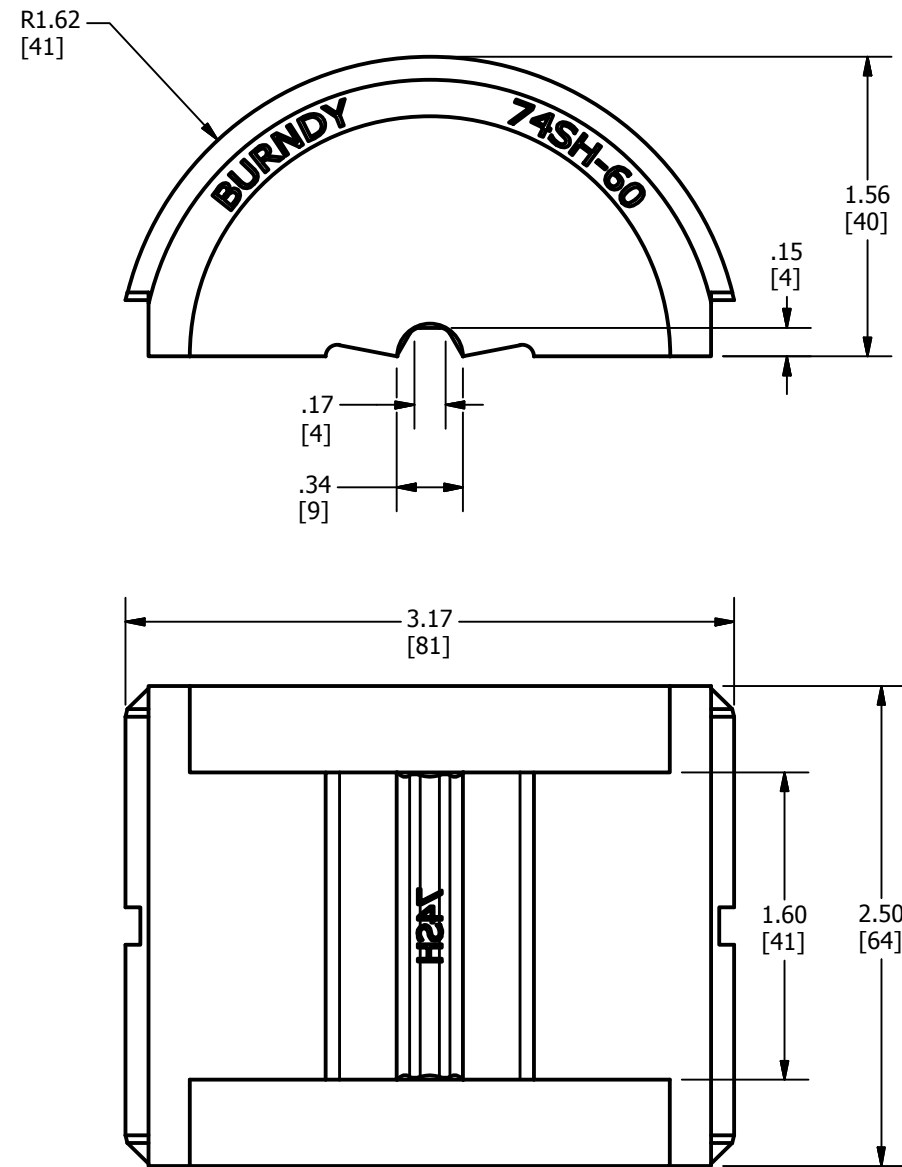


REV	DATE	DESCRIPTION	ECO	BY	C'H'K.
A	01/12/2015	INITIAL RELEASE	38858	MG	RM



NOTES:

1. INTERPRET THIS DRAWING PER ASME 14.5M-2009
2. DIMENSIONS IN BRACKETS [] ARE IN MILLIMETERS ROUNDED OFF TO THE NEAREST MILLIMETER, UNLESS OTHERWISE SPECIFIED AND ARE FOR REFERENCE ONLY.
3. MATERIAL: STAINLESS STEEL

TO ORDER BURNDY® PRODUCTS CALL		74SH-60	
UNITED STATES 1-800-346-4175 (LONDONDERRY, NH)		ITEM NO: 50047169	
CANADA: 1-800-361-6975 (QUEBEC) 1-800-387-6487 (ALL OTHER PROVINCES)		CAT. NO: 74SH-60	
FOR PRODUCT INFO: http://www.burndy.com		DRAWN BY: D. Paquette 06-10-2014	
		CHECKER: J. LEAFOUR 01-30-2015	
		DSN APRVL: D. Paquette 01-30-2015	
		MFG APRVL: A. JOHNS 01-30-2015	
		QA APRVL: C. LINDQUIST 01-30-2015	
		MKT APRVL: --	
		PROD FAM: --	
		PROJ #: --	
		DOCUMENT TYPE: SALES	
		REL LEVEL: Released	
		DRAWING NO	
		50055108	
		REV	
		A	
		SHEET 1 OF 1	