

BURNDY® ITEM NUMBER	BURNDY® CATALOG NUMBER	Mounting Method	FIG. #	MECHANICAL STRENGTH LB / KG	MATERIAL	COLOR	PKG QTY	MIN OPR TEMP F / C	MAX OPR TEMP F / C	BAG HEIGHT IN / [MM]	BAG WIDTH IN / [MM]	PEGHOLE
50056445	CTB075SF1C	#6 OR #8 SCREW	FIG. 1	11 / 5	NYLON 6/6	NATURAL	100	-40 / -40	185 / 85	6.0 / [152]	7.5 / [190]	Y
50056446	CTB075SF1M	#6 OR #8 SCREW	FIG. 1	11 / 5	NYLON 6/6	NATURAL	1000	-40 / -40	185 / 85	13.0 / [330]	13.0 / [330.2]	N
50056447	CTB075AAF1C	ACRYLIC ADHESIVE OR #6 OR #8 SCREW	FIG. 1	11 / 5	NYLON 6/6	NATURAL	100	14 / -10	176 / 80	6.0 / [152]	7.5 / [190]	Y
50056448	CTB075AAF1C0	ACRYLIC ADHESIVE OR #6 OR #8 SCREW	FIG. 1	11 / 5	NYLON 6/6	UV BLACK	100	14 / -10	176 / 80	6.0 / [152]	7.5 / [190]	Y
50056449	CTB075AAF1M	ACRYLIC ADHESIVE OR #6 OR #8 SCREW	FIG. 1	11 / 5	NYLON 6/6	NATURAL	1000	14 / -10	176 / 80	13.0 / [330]	13.0 / [330]	N
50056450	CTB075RAF1C	RUBBER ADHESIVE OR #6 OR #8 SCREW	FIG. 1	11 / 5	NYLON 6/6	NATURAL	100	14 / -10	140 / 60	6.0 / [152]	7.5 / [190]	Y
50056451	CTB075RAF1C0	RUBBER ADHESIVE OR #6 OR #8 SCREW	FIG. 1	11 / 5	NYLON 6/6	UV BLACK	100	14 / -10	140 / 60	6.0 / [152]	7.5 / [190]	Y
50056452	CTB075RAF1M	RUBBER ADHESIVE OR #6 OR #8 SCREW	FIG. 1	11 / 5	NYLON 6/6	NATURAL	1000	14 / -10	185 / 85	13.0 / [330]	13.0 / [330]	N
50056459	CTB100SF2C	#10 SCREW	FIG. 2	36 / 16	NYLON 6/6	NATURAL	100	-40 / -40	185 / 85	6.7 / [170]	10.3 / [262]	Y
50056460	CTB100AAF2C	ACRYLIC ADHESIVE OR #10 SCREW	FIG. 2	36 / 16	NYLON 6/6	NATURAL	100	14 / -10	176 / 80	6.7 / [170]	10.3 / [262]	Y
50056462	CTB100AAF2D	ACRYLIC ADHESIVE OR #10 SCREW	FIG. 2	36 / 16	NYLON 6/6	NATURAL	500	14 / -10	176 / 80	12.0 / [305]	17.0 / [432]	N
50056461	CTB100AAF2C0	ACRYLIC ADHESIVE OR #10 SCREW	FIG. 2	36 / 16	NYLON 6/6	UV BLACK	100	14 / -10	176 / 80	6.7 / [170]	10.3 / [262]	Y
50056466	CTB100RAF2C	RUBBER ADHESIVE OR #10 SCREW	FIG. 2	58 / 26	NYLON 6/6	NATURAL	100	14 / -10	140 / 60	6.7 / [170]	10.3 / [262]	Y

NOTE: THE PRODUCTS LISTED IN THIS TABLE ARE NOT "UL LISTED" OR "UL RECOGNIZED"

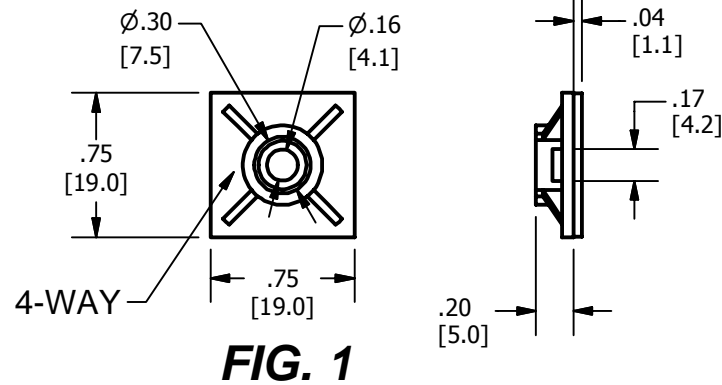


FIG. 1

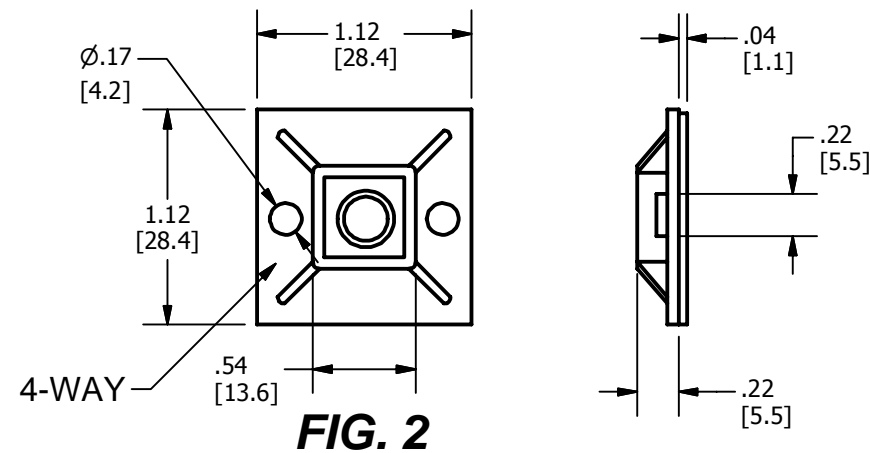


FIG. 2

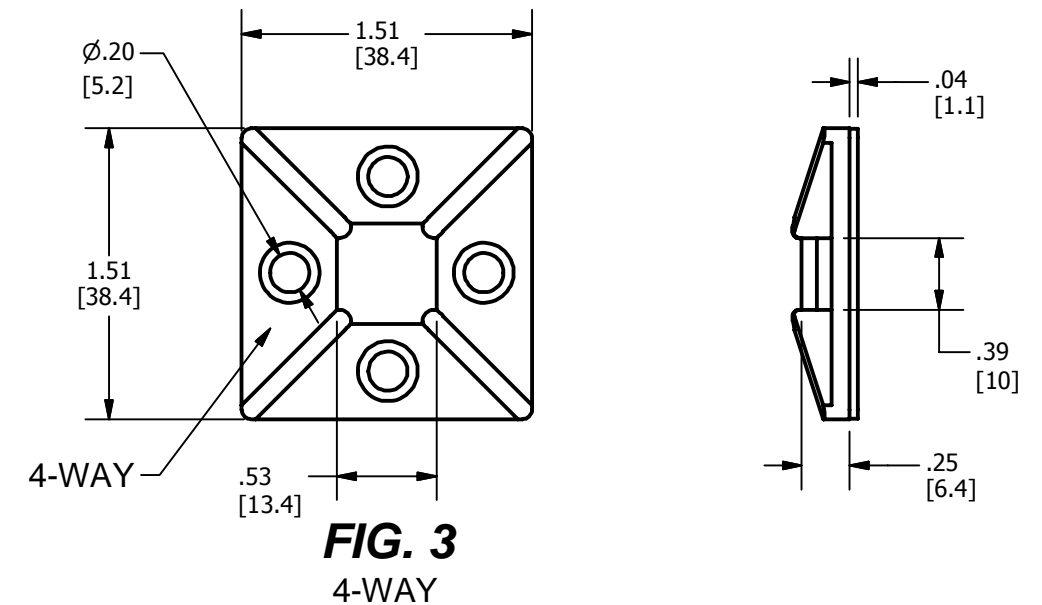


FIG. 3
4-WAY

NOTES:

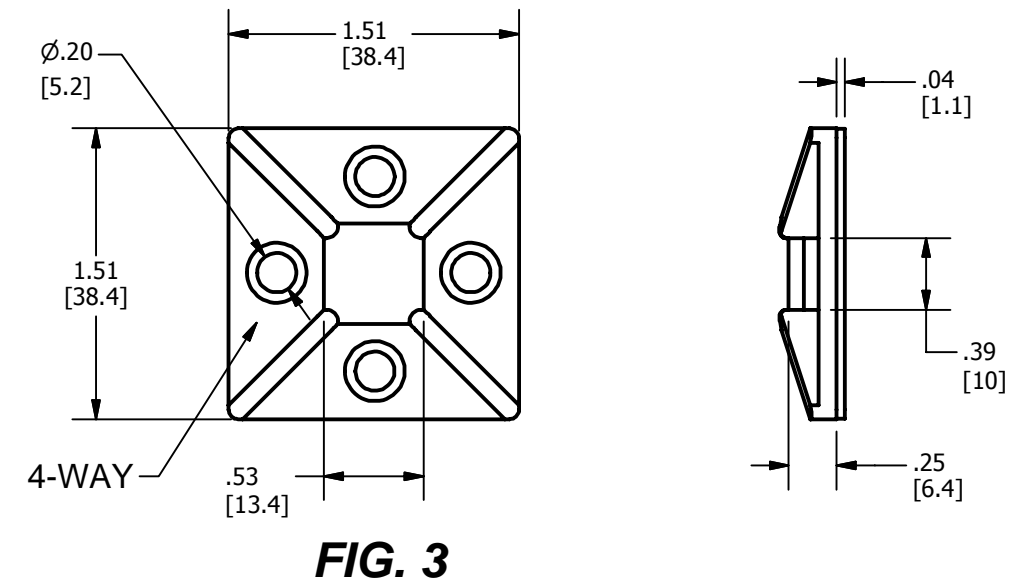
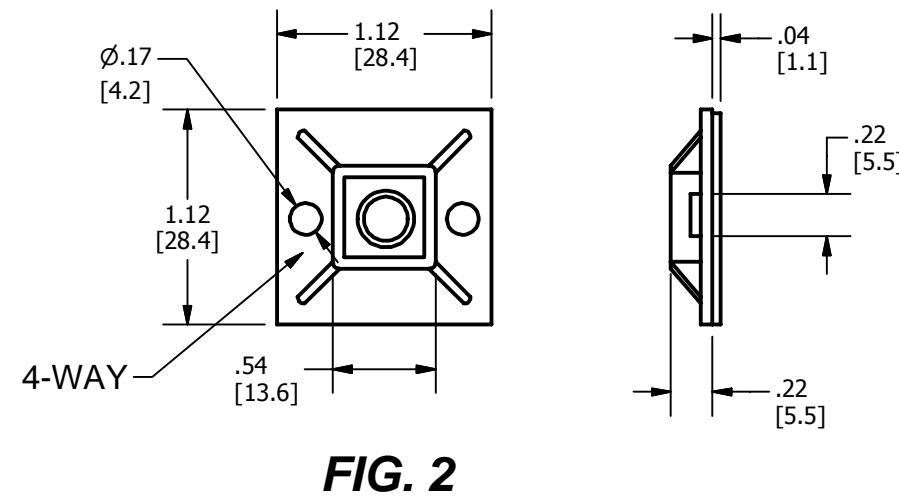
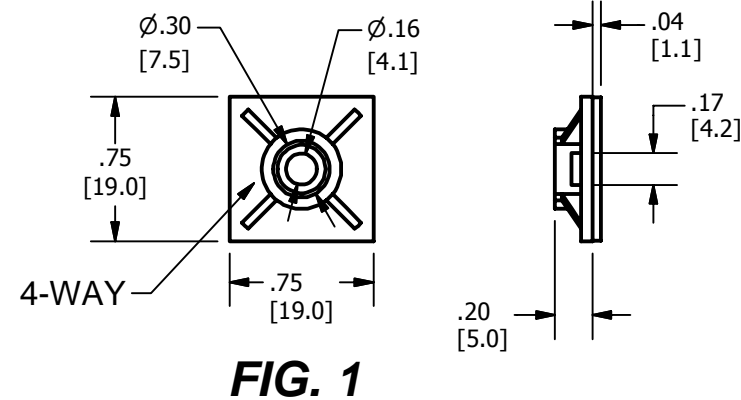
1. THIS DRAWING TO BE INTERPRETED PER ASME Y14.5M-2009.
2. MIN / MAX OPERATING TEMPERATURES FOR PRODUCTS LISTED ON THIS DRAWING MOUNTED USING A SCREW IS -40F / -40C MIN TO 185F / 85C MAX.
3. EACH BAG IS TO BE MARKED WITH JULIAN DATE CODE.
4. FLAMMABILITY: UL 94V-2

REV	DATE	DESCRIPTION	ECO	BY	C'H'K.
B	12/22/2015	UPDATED AS PER MARKUP	42503	AV	MB

TO ORDER BURNDY PRODUCTS CALL		MOUNTING BASES	
UNITED STATES 1-800-346-4175 (LONDONDERRY, NH)		ITEM NO: SEE TABLE	
CANADA: 1-800-361-6975 (QUEBEC) 1-800-387-6487 (ALL OTHER PROVINCES)		CAT. NO: SEE TABLE	
FOR PRODUCT INFO: http://www.burndy.com		DRAWN BY: A MONTMINY 02/13/2015	
		CHECKER:	
		DSN APRVL:	
		MFG APRVL:	
		QA APRVL: -----	
		MKT APRVL: -----	
		PROD FAM: MOUNTING BASES	
		DRAWING NO	
		PROJECT #: _____	
		SIZE	
		50055364	
		DOCUMENT TYPE: Sales	
		REL LEVEL: Released	
		B	
		SHEET 1 OF 2	
		REV	
		B	

BURNDY® ITEM NUMBER	BURNDY® CATALOG NUMBER	MOUNTING METHOD	FIG. #	MECHANICAL STRENGTH LB / KG	MATERIAL	COLOR	PKG QTY	MIN OPR TEMP F / C	MAX OPR TEMP F / C	BAG HEIGHT IN / [MM]	BAG WIDTH IN / [MM]	PEGHOLE
50056463	CTB100RAF2C	RUBBER ADHESIVE OR #10 SCREW	FIG. 2	36 / 16	NYLON 6/6	NATURAL	100	14 / -10	140 / 60	6.7 / [170]	10.3 / [262]	Y
50056467	CTB100RAF2L	RUBBER ADHESIVE OR #10 SCREW	FIG. 2	36 / 16	NYLON 6/6	NATURAL	50	14 / -10	140 / 60	6.7 / [170]	10.3 / [262]	Y
50056464	CTB100RAF2C0	RUBBER ADHESIVE OR #10 SCREW	FIG. 2	36 / 16	NYLON 6/6	UV BLACK	100	14 / -10	140 / 60	6.7 / [170]	10.3 / [262]	Y
50056465	CTB100RAF2D	RUBBER ADHESIVE OR #10 SCREW	FIG. 2	36 / 16	NYLON 6/6	NATURAL	500	14 / -10	140 / 60	12.0 / [305]	17.0 / [432]	N
50056453	CTB150AAF3C	ACRYLIC ADHESIVE OR #10 SCREW	FIG. 3	58 / 26	NYLON 6/6	NATURAL	100	14 / -10	176 / 80	8.0 / [203]	12.0 / [305]	Y
50056454	CTB150AAF3D	ACRYLIC ADHESIVE OR #10 SCREW	FIG. 3	58 / 26	NYLON 6/6	NATURAL	500	14 / -10	176 / 80	12.0 / [305]	21.0 / [533]	Y
50056456	CTB150RAF3C0	RUBBER ADHESIVE OR #10 SCREW	FIG. 3	58 / 26	NYLON 6/6	UV BLACK	100	14 / -10	140 / 60	8.0 / [203]	12.0 / [305]	Y
50056457	CTB150RAF3D	RUBBER ADHESIVE OR #10 SCREW	FIG. 3	58 / 26	NYLON 6/6	NATURAL	500	14 / -10	140 / 60	12.0 / [305]	21.0 / [533]	Y
50056458	CTB150SF3C	#10 SCREW	FIG. 3	58 / 26	NYLON 6/6	NATURAL	100	-40 / -40	185 / 85	8.0 / [203]	12.0 / [305]	Y
10023753	CTB150RA4C	RUBBER ADHESIVE OR #10 SCREW	FIG. 3	58 / 26	NYLON 6/6	NATURAL	100	14 / -10	140 / 60	8.0 / [203]	12.0 / [305]	Y

NOTE: THE PRODUCTS LISTED IN THIS TABLE ARE NOT "UL LISTED" OR "UL RECOGNIZED"



TO ORDER BURNDY PRODUCTS CALL
UNITED STATES
1-800-346-4175 (LONDONDERRY, NH)

CANADA:
1-800-361-6975 (QUEBEC)
1-800-387-6487 (ALL OTHER PROVINCES)

FOR PRODUCT INFO: <http://www.burndy.com>

MOUNTING BASES

ITEM NO: SEE TABLE

CAT. NO: SEE TABLE

DRAWN BY: A MONTMINY 02/13/2015

CHECKER:

DSN APRVL:

MFG APRVL:

QA APRVL: -----

MKT APRVL: -----



PROD FAM: MOUNTING BASES	DRAWING NO	REV
PROJECT #:	SIZE	50055364
DOCUMENT TYPE: Sales	B	B
REL LEVEL: Released		SHEET 2 OF 2

REV	DATE	DESCRIPTION	ECO	BY	C'H'K.
B	12/22/2015	UPDATED AS PER MARKUP	42503	AV	MB