

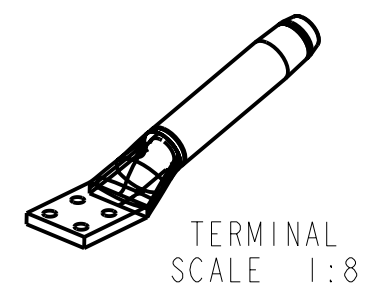
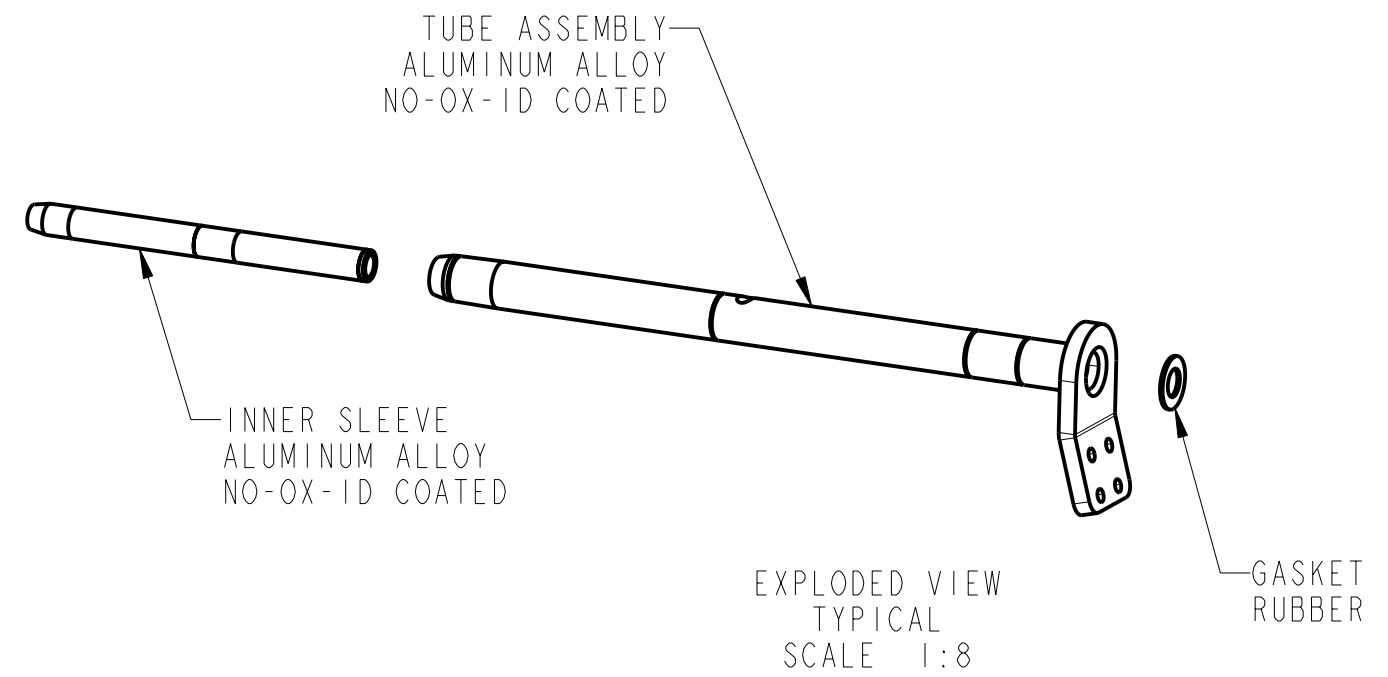
CROSS REFERENCE TABLE

LS KITS OF DEADEND ASSEMBLY (ALUM. ONLY)

BURNDY®		CTC	
ITEM NUMBER	CATALOG NUMBER	PART NO.	CONDUCTOR CODE NAME
SMALL FAMILY			
10106482	YTWI60MI5ACK6LS	5600-1024S	HELSINKI
30011329	YTW32TI5ACK4LSGS	5600-1020	LINNET
		5600-1034	ORIOLE
		5600-1036	REYKJAVIK
		5600-1022	COPENHAGEN
10101766	YTW254MI5ACK6LS	5600-1044S	GLASGOW
50055832 OR 30024069	YTW36NI5ACCCCK4LS OR YTW325MI5ACK5LS	5600-1028	CASABLANCA
		5600-1030	HAWK
		5600-1032	LISBON
10103116	YTW380MI5ACK6LS	5600-1040	DOVE
		5600-1042	AMSTERDAM
MEDIUM FAMILY			
10106481	YTW330MI5ACK6LS	5600-1026S	OSLO
50054481	YTW45INI5ACCCCK4LS	5600-1054	STOCKHOLM
		5600-1056	WARSAW
		5600-1060	DRAKE
		5600-1062	DUBLIN

4  
5  
4  
4

REV.	DATE	DESCRIPTION	ECO	BY	C'H'K.
A	03/19/2015 00:00:00 AM	UPDATED AS PER MARKUP	39286	SV	MB



(ACCC®) ALUMINUM CONDUCTOR COMPOSITE CORE

- NOTES:
1. K4 AND K5 KITS CONTAIN TERMINALS WITH CAST PADS FOR THE SMALL FAMILY.
  2. LS KITS DO NOT CONTAIN COLLET AND COLLET HOUSING.
  3. LS KITS ARE SUB-ASSEMBLIES FOR CTC PART NUMBER.
  4. K6 KITS FOR GLASGOW AND HELSINKI AND AMSTERDAM AND OSLO CONTAIN FORMED TERMINALS WITH INNER SLEEVE.
  5. GS SUFFIX FOR TERMINAL WITH GALVANIZED STEEL HARDWARE (SPECIAL)

TO ORDER BURNDY® PRODUCTS CALL  
 UNITED STATES:  
 1-800-346-4175 (LONDONDERRY, NH)  
 CANADA:  
 1-800-361-6975 (QUEBEC)  
 1-800-387-6487 (ALL OTHER PROVINCES)  
 FOR PRODUCT INFO: <http://www.burndy.com>

LS KITS, DEADEND ALUM ONLY CROSS REFERENCE	
ITEM NO: SEE TABLE	
CAT. NO: SEE TABLE	
DRAWN BY: D DOBRINSKI	08/10/10
CHECKER: P CHAN	07/21/11
DSN APPVL: P CHAN	04/22/14
MFG APPVL: --	--
QA APPVL: C ACKERMAN	04/23/14
MKT APPVL: B CRUTCHER	04/23/14
PROD FAM: TRANSMISSION\DEADEND	SCALE: 3:20
PROJECT #: 13827	SIZE
DOCUMENT TYPE: Sales	DRAWING NO
REL LEVEL: Released	50056444
	SHEET 1 OF 1



REV: PE0200