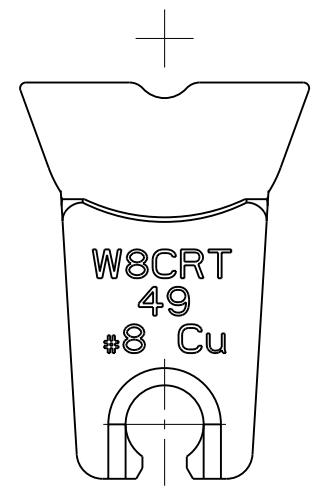
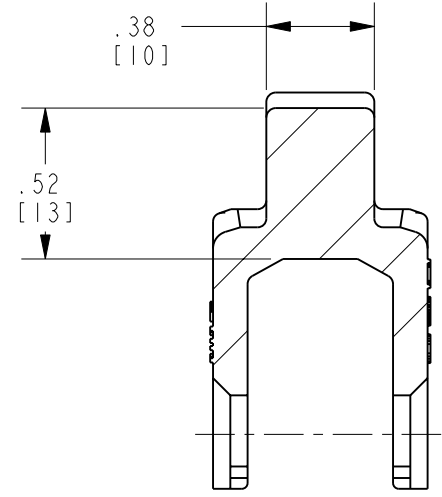
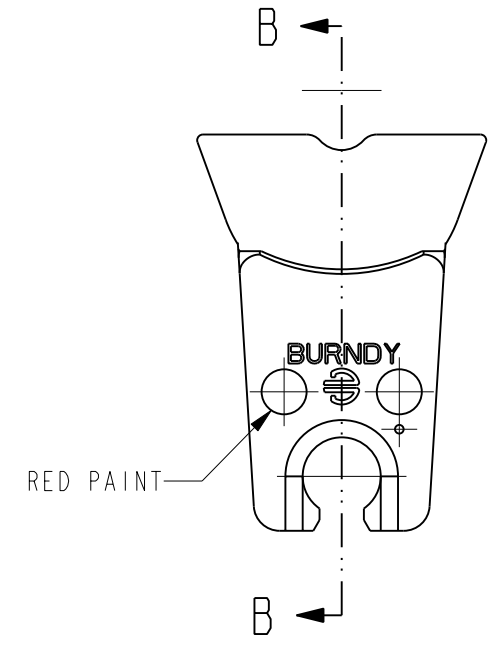
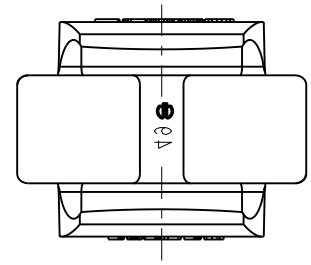


REV.	DATE	DESCRIPTION	ECO	BY	C'H'K.
B	06/28/2016 12:00:00 PM	UPDATED AS PER MARKUP	37870	MG	RM



NOTES:

1. DIMENSIONS IN BRACKET [] ARE IN MILLIMETERS, ROUNDED TO THE NEAREST MILLIMETER AND ARE FOR REFERENCE ONLY.
2. MATERIAL: STAINLESS STEEL.
3. DIE GAGE CAT NO. WPG49

REV: PE0200

TO ORDER BURNDY® PRODUCTS CALL		W-DIES (MD6 HYTOOL)	
UNITED STATES:		ITEM NO: 464163	
1-800-346-4175 (LONDONDERRY, NH)		CAT. NO: W8CRT	
CANADA:		DRAWN BY: M.GOPI	09/02/2015
1-800-361-6975 (QUEBEC)		CHECKER: L.BROWN	09/04/2015
1-800-387-6487 (ALL OTHER PROVINCES)		DSN APPVL: L.BROWN	09/04/2015
FOR PRODUCT INFO: http://www.burndy.com		MFG APPVL: C.TORREY	09/14/2015
		QA APPVL: C.LINDQUIST	09/04/2015
		MKT APPVL: P.SILVA	10/14/2015
PROJECT #:	---	SCALE:	3:2
DOCUMENT TYPE:	Sales	DRAWING NO:	50057598
REL LEVEL:	Released	SIZE:	B
		SHEET 1 OF 1	B

