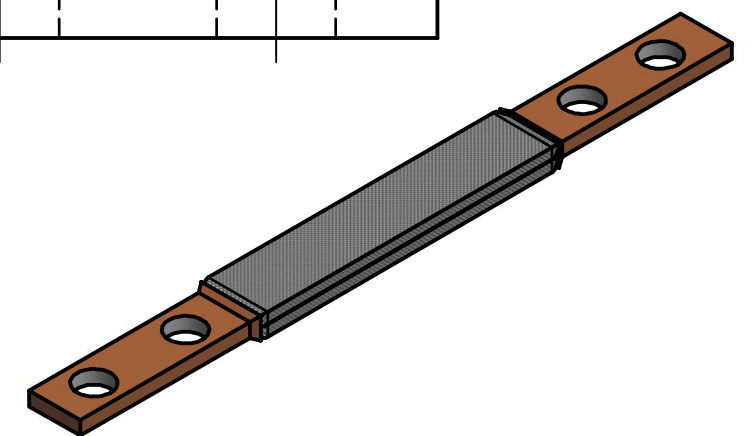
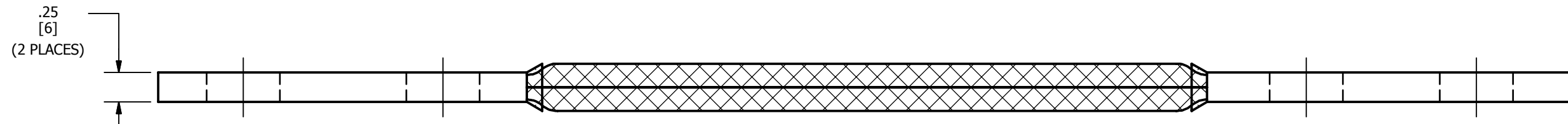
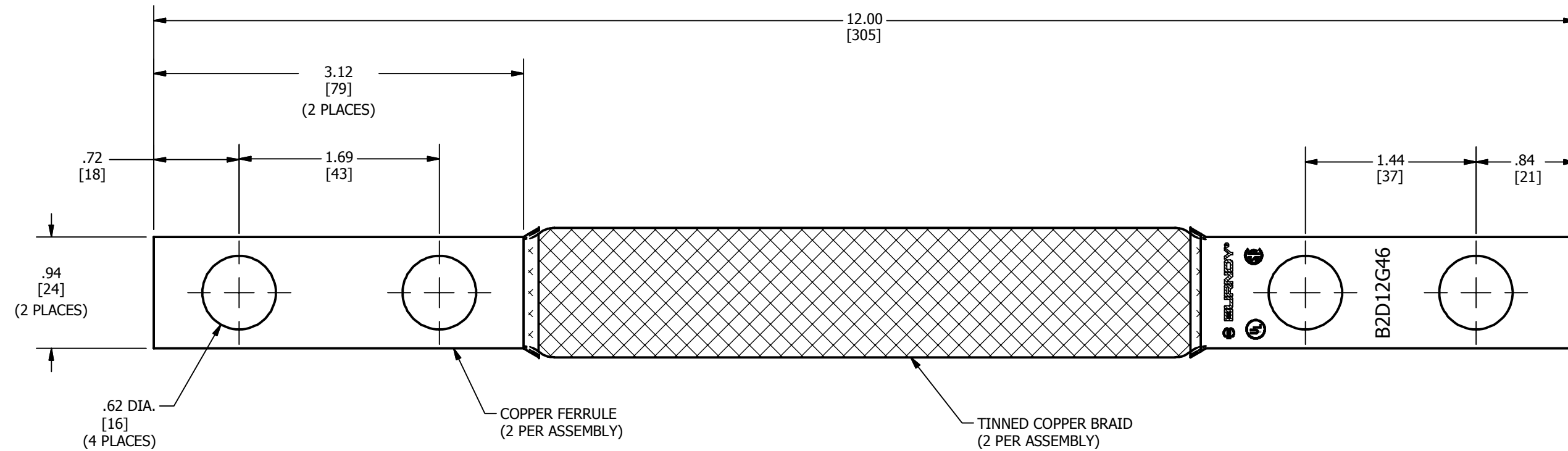


REV	DATE	DESCRIPTION	ECO	BY	C'H'K.
A	04/01/2015	NEW SALES DRAWING CREATED	39768	AS	MB



NOTES:

1. DIMENSIONS IN BRACKETS [] ARE IN MILLIMETERS ROUNDED OFF TO THE NEAREST MILLIMETER, UNLESS OTHERWISE NOTED, AND ARE FOR REFERENCE ONLY.
2. ALL SIZES ARE LISTED TO UL 467 GROUNDING & BONDING EQUIPMENT STANDARDS.
3. ALL SIZES ARE LISTED TO CSA 22.2 NO.41 GROUNDING & BONDING EQUIPMENT STANDARDS.
4. APPROXIMATE WEIGHT: 1.170 LBS

TO ORDER BURNDY® PRODUCTS CALL		FLEXIBLE STRAP	
UNITED STATES 1-800-346-4175 (LONDONDERRY, NH)		ITEM NO: 33293D	
CANADA: 1-800-361-6975 (QUEBEC) 1-800-387-6487 (ALL OTHER PROVINCES)		CAT. NO: B2D12G46	
FOR PRODUCT INFO: http://www.burndy.com		DRAWN BY: ARAVIND SWAMY 3/31/2015	
		CHECKER: MANIKANDAN 3/31/2015	
		DSN APRVL: T LOGAN 8/21/2015	
		MFG APRVL: --	
		QA APRVL: K CHERYL	
		MKT APRVL: R KATHLEEN 8/21/2015	
		PROD FAM: MECHANICAL GROUNDING	
		DRAWING NO	
		PROJECT #: --	
		SIZE	
		50057812	
		DOCUMENT TYPE: SALES	
		REL LEVEL: Released	
		B	
		SHEET 1 OF 1	
		A	