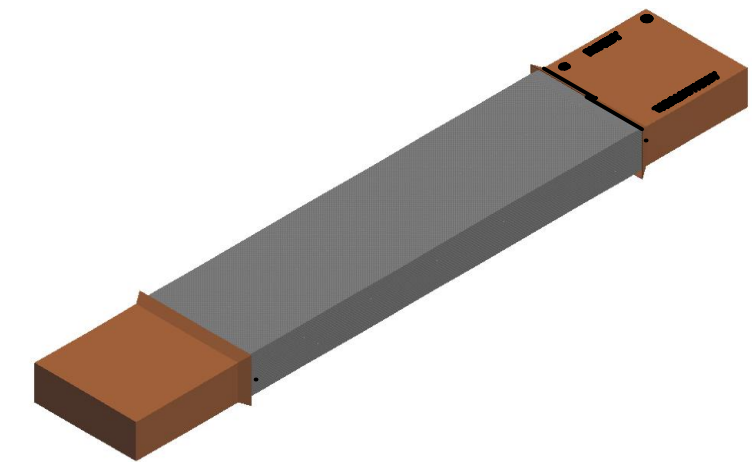
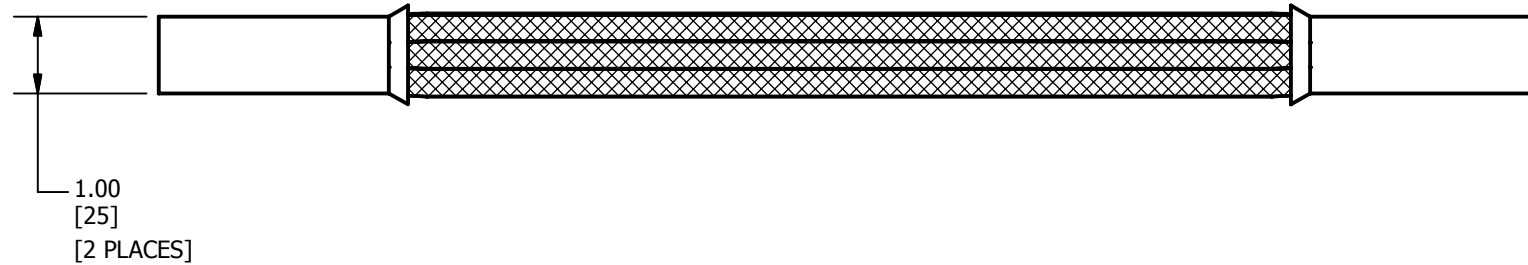
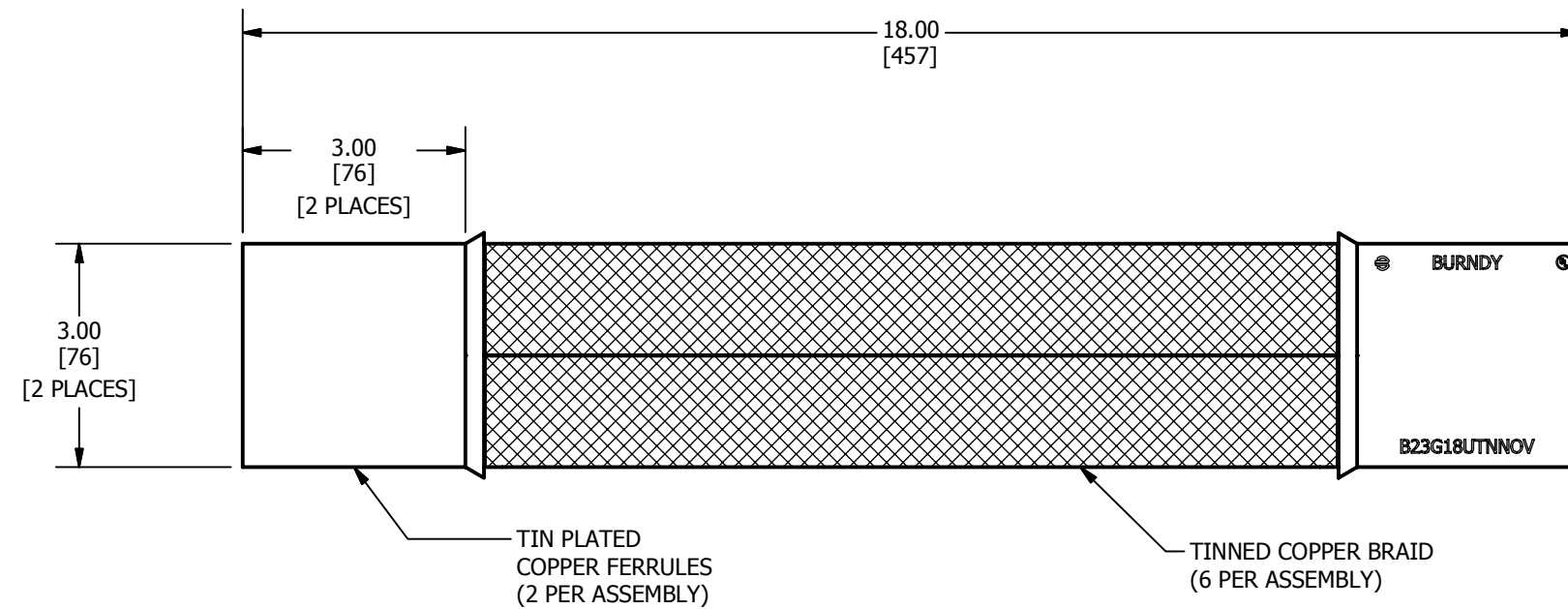


REV	DATE	DESCRIPTION	ECO	BY	CHK.
A	05/20/2015	PRODUCTION RELEASE ECO FOR FOCUS REQUEST FPN1504072	40195	LM	MB



NOTES:

1. DIMENSIONS IN BRACKETS [] ARE IN MILLIMETERS ROUNDED OFF TO THE NEAREST MILLIMETER, UNLESS OTHERWISE SPECIFIED AND ARE FOR REFERENCE ONLY.
2. APPROXIMATE AMP RATING: 1500A. THIS RATING MAY VARY WITH AMBIENT CONDITIONS, ORIENTATION OF THE BRAID, AND OTHER SERVICE CONDITIONS.
3. MATERIAL:
TIN PLATED COPPER.
4. APPROXIMATE WEIGHT 18.37 LBS

TO ORDER BURNDY® PRODUCTS CALL UNITED STATES 1-800-346-4175 (LONDONDERRY, NH) CANADA: 1-800-361-6975 (QUEBEC) 1-800-387-6487 (ALL OTHER PROVINCES) FOR PRODUCT INFO: http://www.burndy.com	BRAID		ITEM NO: 50059112	
			CAT. NO: B23G18UTNNOV	
	DRAWN BY: RAJESWARAN.S 04-30-15			
	CHECKER: MANIKANDAN.B 04-30-15			
	DSN APRVL: --			
MFG APRVL: --				
QA APRVL: --				
MKT APRVL: --				
PROD FAM: --			DRAWING NO	
PROJECT #: SALES	SIZE	50059378	REV	
REL LEVEL: Released	B		A	
			SHEET 1 OF 1	