

REV	DATE	DESCRIPTION	ECO	BY	C'H.K.
E	11/24/2015	DIMENSIONS UPDATED AS PER MARKUP	42184	RG	TS

**FEATURES:**

AVAILABLE IN BOTH AN OPEN STYLE AND A FINGER SAFE STYLE

SEE THROUGH COVERS FOR EASY INSTALLATION

ACCOMMODATES BOTH FLEX AND CODE CONDUCTORS

cULus LISTED TO UL1953 (FILE# E74460)

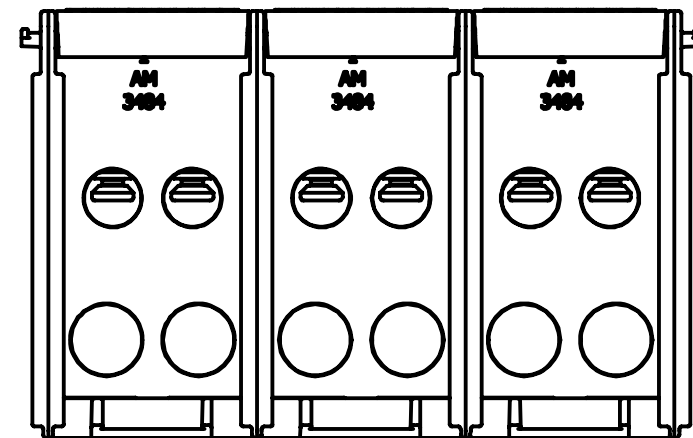
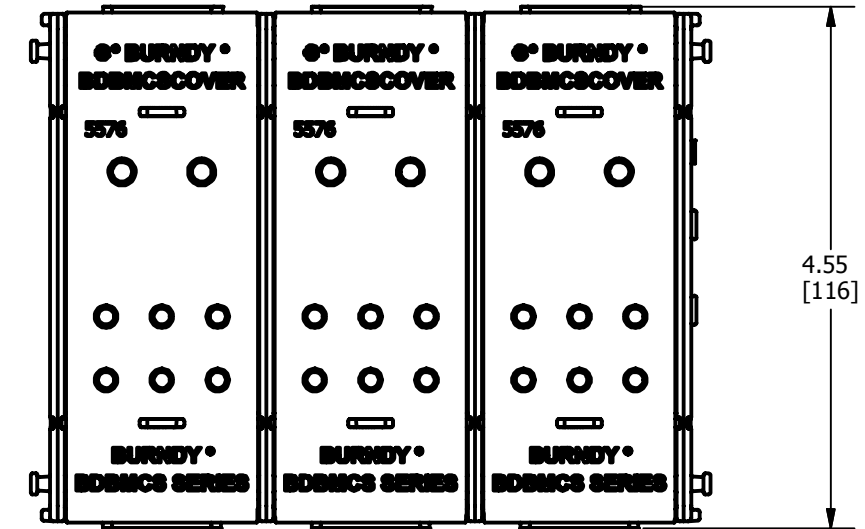
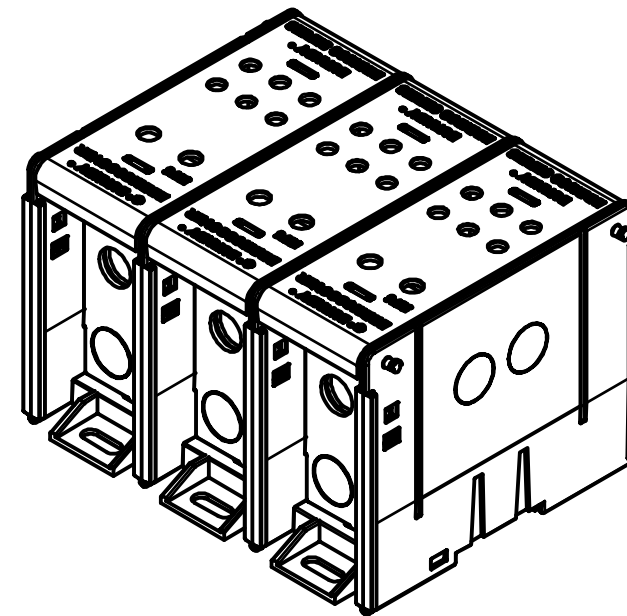
AL9CU RATED

FINGER SAFE STYLES PROVIDE IEC 60529 IP20 PROTECTION

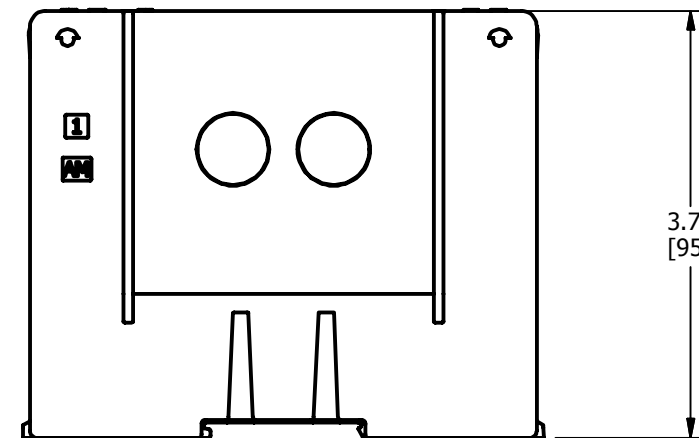
OPTIONAL TOP COVER FOR OPEN STYLE (PART BDBMCSCOVER) FOR ADDED PROTECTION

100kA SCCR RATING WITH CORRECT FUSING

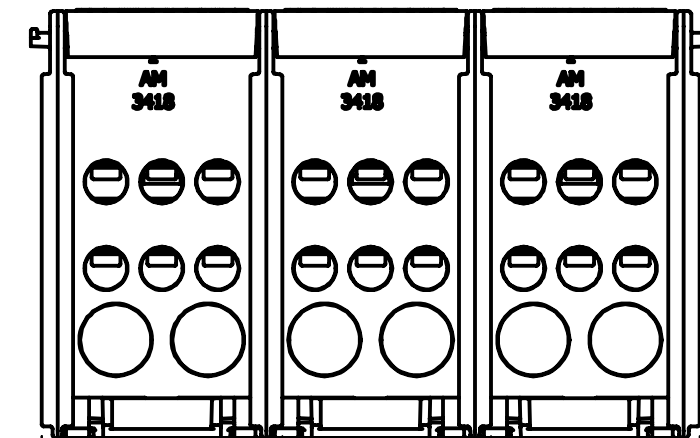
CONTACT CUSTOMER SERVICE FOR ALTERNATE CONFIGURATIONS AT TELEPHONE NUMBER 1 800 346-4175



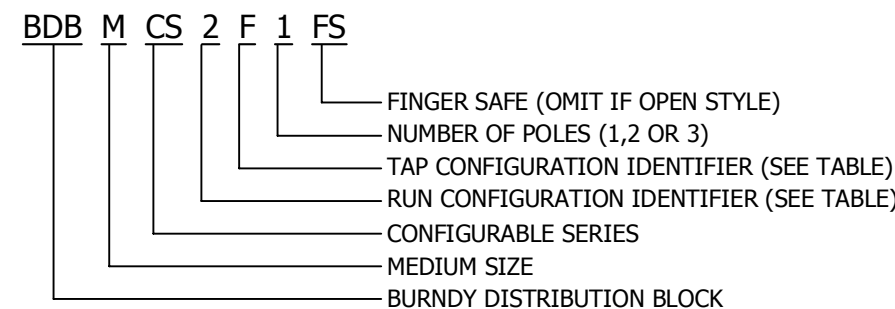
RUN SIDE



FINGER SAFE STYLE



2.09 ONE POLE [53]  
 3.90 TWO POLE [99]  
 5.71 THREE POLE [145]  
TAP SIDE

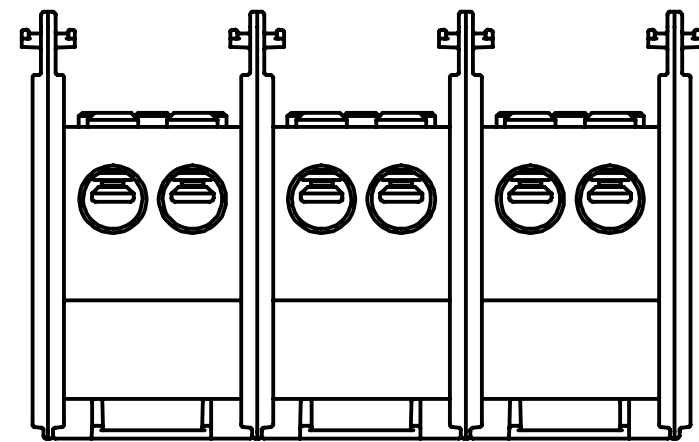
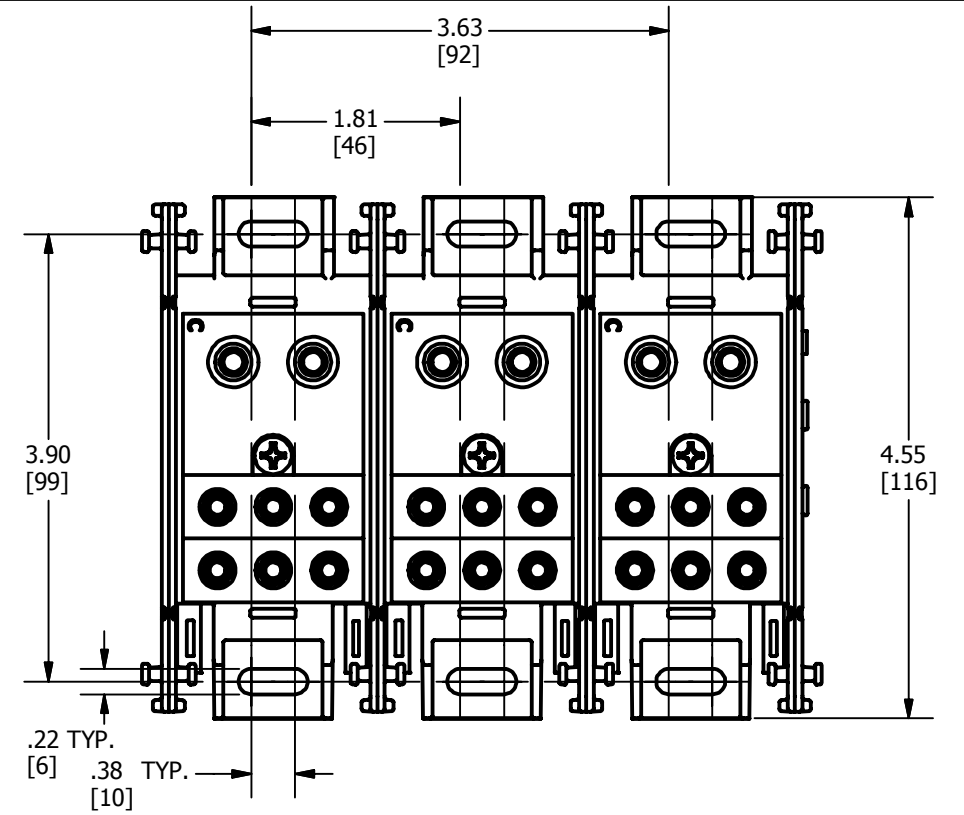


**NOTES:**

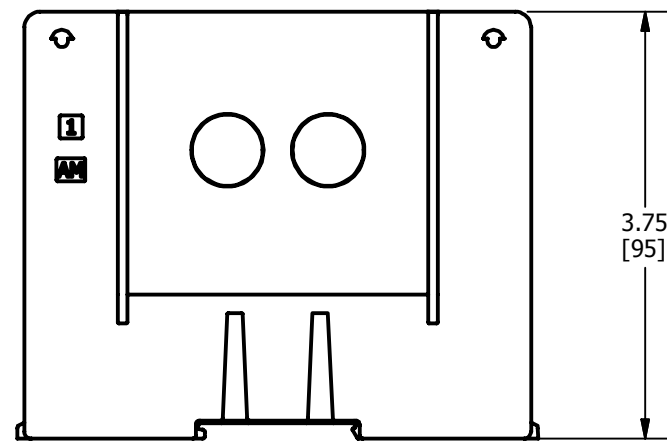
- DIMENSIONS IN BRACKETS [ ] ARE IN MILLIMETERS ROUNDED OFF TO THE NEAREST MILLIMETER, UNLESS OTHERWISE SPECIFIED AND ARE FOR REFERENCE ONLY.
- MATERIALS: BASE AND POLE SEPERATING SIDES - NYLON 6/6  
 BLOCK AND RETENTION SCREWS - TIN PLATED ALUMINUM  
 FINGER SAFE COVERS - POLYCARBONATE  
 BLOCK MOUNTING HARDWARE - STAINLESS STEEL

3 > 10kA SCCR RATING

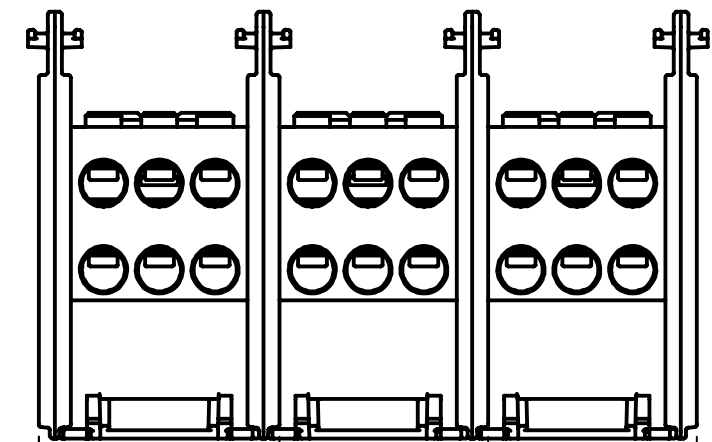
TO ORDER BURNDY® PRODUCTS CALL		MEDIUM DISTRIBUTION BLOCK	
UNITED STATES 1-800-346-4175 (LONDONDERRY, NH)		ITEM NO: SEE TABLE	
CANADA: 1-800-361-6975 (QUEBEC) 1-800-387-6487 (ALL OTHER PROVINCES)		CAT. NO: SEE TABLE	
FOR PRODUCT INFO: <a href="http://www.burndy.com">http://www.burndy.com</a>		DRAWN BY: T. REYNOLDS 5/6/2015	
		CHECKER: T. REYNOLDS 6/11/2015	
		DSN APRVL: T. REYNOLDS 6/18/2015	
		MFG APRVL: M. STEVENS 6/15/2015	
		QA APRVL: C. LINDQUIST 6/12/2015	
		MKT APRVL: M. BAILLY 6/12/2015	
		PROJ #:	
		SIZE	
		50059696	
		B	
		SHEET 1 OF 4	
		REV	
		E	



RUN SIDE



OPEN STYLE



TAP SIDE

TO ORDER BURNDY® PRODUCTS CALL

UNITED STATES  
1-800-346-4175 (LONDONDERRY, NH)

CANADA:  
1-800-361-6975 (QUEBEC)  
1-800-387-6487 (ALL OTHER PROVINCES)

FOR PRODUCT INFO: <http://www.burndy.com>

MEDIUM DISTRIBUTION BLOCK

ITEM NO: SEE TABLE

CAT. NO: SEE TABLE

DRAWN BY: T. REYNOLDS 5/6/2015  
CHECKER: T. REYNOLDS 6/11/2015  
DSN APRVL: T. REYNOLDS 6/18/2015  
MFG APRVL: M. STEVENS 6/15/2015  
QA APRVL: C. LINDQUIST 6/12/2015  
MKT APRVL: M. BAILLY 6/12/2015



PROJ #:	SIZE	DRAWING NO	REV
DOCUMENT TYPE: SALES	B	50059696	E
REL LEVEL: Released		SHEET 2 OF 4	

REV	DATE	DESCRIPTION	ECO	BY	C'H'K.
E	11/24/2015	DIMENSIONS UPDATED AS PER MARKUP	42184	RG	TS

**BURNDY MEDIUM DISTRIBUTION BLOCKS**


BLOCKS		BLOCK								AMPACITY
		RUN				TAP				
OPEN STYLE	FINGER SAFE	HOLE LAYOUT	RANGE	TORQUE in-lbs		HOLE LAYOUT	RANGE	TORQUE in-lbs		
BDBMCS2F1	BDBMCS2F1FS	OO (2)	#14 awg - 2/0 B, C, H, I, K, DLO	#14-#6	80	OOO (6)	#14 awg - #2 awg B, C, H, I, K, DLO	#14-#6	80	350
BDBMCS2F2	BDBMCS2F2FS			#4-2/0	120			#4-#2	120	
BDBMCS2F3	BDBMCS2F3FS			#4-2/0	120			#4-#2	120	
BDBMCS2N1	BDBMCS2N1FS	OO (2)	#14 awg - 2/0 B, C, H, I, K, DLO	#14-#6	80	OO (2)	#14 awg - 2/0 B, C, H, I, K, DLO	#14-#6	80	350
BDBMCS2N2	BDBMCS2N2FS			#4-2/0	120			#4-2/0	120	
BDBMCS2N3	BDBMCS2N3FS			#4-2/0	120			#4-2/0	120	
BDBMCS5F1	BDBMCS5F1FS	O (1)	#4 awg - 500 B, C, H, I, K, 535 DLO	#4-4/0	400	OOO (6)	#14 awg - #2 awg B, C, H, I, K, DLO	#14-#6	80	380
BDBMCS5F2	BDBMCS5F2FS			250-535	600			#4-#2	120	
BDBMCS5F3	BDBMCS5F3FS			250-535	600			#4-#2	120	
BDBMCS1F1	BDBMCS1F1FS	O (1)	#14 awg - 2/0 B, C, H, I, K, DLO	#14-#6	80	OOO (6)	#14 awg - #2 awg B, C, H, I, K, DLO	#14-#6	80	175
BDBMCS1F2	BDBMCS1F2FS			#4-2/0	120			#4-#2	120	
BDBMCS1F3	BDBMCS1F3FS			#4-2/0	120			#4-#2	120	
BDBMCS5M1	BDBMCS5M1FS	O (1)	#4 awg - 500 B, C, H, I, K, 535 DLO	#4-4/0	400	OO (4)	#14 awg - 2/0 B, C, H, I, K, DLO	#14-#6	80	380
BDBMCS5M2	BDBMCS5M2FS			250-535	600			#4-2/0	120	
BDBMCS5M3	BDBMCS5M3FS			250-535	600			#4-2/0	120	
BDBMCS3U1	BDBMCS3U1FS	O (1)	#6 awg - 350 B, C, H, I, K, 373 DLO	#6-373	450	O (1)	#6 awg - 350 B, C, H, I, K, 373 DLO	#6-1/0	300	310
BDBMCS3U1	BDBMCS3U1FS			#6-373	450			2/0-373	450	
BDBMCS3U1	BDBMCS3U1FS			#6-373	450			2/0-373	450	

RUN HOLES		
DIGIT	HOLE LAYOUT	RANGE
1	O	#14 awg - 2/0
2	OO	#14 awg - 2/0
3	O	#6 awg - 350 kcmil
4	OO	#6 awg - 350 kcmil
5	O	#4 awg - 500 kcmil
6	OO	#4 awg - 500 kcmil

RUN HOLES		
LETTER	HOLE LAYOUT	RANGE
A	OOOOOO OOOOOO	#14 awg - #4 awg
B	OOO OOO	
C	OO OO	
D	OO	
E	O	
F	OOO OOO	#14 awg - #2 awg
G	OO OO	
H	OO	
J	O	
K	OOO OOO	#14 awg - 2/0
M	OO OO	
N	OO	
P	O	
R	OO OO	
T	OO	#6 awg - 350 kcmil
U	O	#4 awg - 500 kcmil
V	OO	
W	O	
X	O	750 kcmil


3

REV	DATE	DESCRIPTION	ECO	BY	C'H'K.
E	11/24/2015	DIMENSIONS UPDATED AS PER MARKUP	42184	RG	TS

TO ORDER BURNDY® PRODUCTS CALL  UNITED STATES 1-800-346-4175 (LONDONDERRY, NH)  CANADA: 1-800-361-6975 (QUEBEC) 1-800-387-6487 (ALL OTHER PROVINCES)  FOR PRODUCT INFO: <a href="http://www.burndy.com">http://www.burndy.com</a>	MEDIUM DISTRIBUTION BLOCK		
	ITEM NO: SEE TABLE		
	CAT. NO: SEE TABLE		
	DRAWN BY: T. REYNOLDS	5/6/2015	
	CHECKER: T. REYNOLDS	6/11/2015	
DSN APRVL: T. REYNOLDS	6/18/2015		
MFG APRVL: M. STEVENS	6/15/2015		
QA APRVL: C. LINDQUIST	6/12/2015		
MKT APRVL: M. BAILLY	6/12/2015		
PROD FAM: --	DRAWING NO	REV	
PROJECT #: --	SIZE	50059696	
DOCUMENT TYPE: SALES	B	E	
REL LEVEL: Released		SHEET 3 OF 4	

SCCR FUSE VALUES								
OPEN STYLE	FINGER SAFE	J	T	RK1	RK5	G	CC	L
BDBMCS3U1	BDBMCS3U1FS	200	200	100	30	60	30	200
BDBMCS3U2	BDBMCS3U2FS	200	200	100	30	60	30	200
BDBMCS3U3	BDBMCS3U3FS	200	200	100	30	60	30	200
BDBMCS5M1	BDBMCS5M1FS	200	200	100	30	60	30	200
BDBMCS5M2	BDBMCS5M2FS	200	200	100	30	60	30	200
BDBMCS5M3	BDBMCS5M3FS	200	200	100	30	60	30	200
BDBMCS1F1	BDBMCS1F1FS	200	200	100	30	60	30	200
BDBMCS1F2	BDBMCS1F2FS	200	200	100	30	60	30	200
BDBMCS1F3	BDBMCS1F3FS	200	200	100	30	60	30	200
BDBMCS2F1	BDBMCS2F1FS	200	200	100	30	60	30	200
BDBMCS2F2	BDBMCS2F2FS	200	200	100	30	60	30	200
BDBMCS2F3	BDBMCS2F3FS	200	200	100	30	60	30	200
BDBMCS5F1	BDBMCS5F1FS	200	200	100	30	60	30	200
BDBMCS5F2	BDBMCS5F2FS	200	200	100	30	60	30	200
BDBMCS5F3	BDBMCS5F3FS	200	200	100	30	60	30	200

REV	DATE	DESCRIPTION	ECO	BY	C'H.K.
E	11/24/2015	DIMENSIONS UPDATED AS PER MARKUP	42184	RG	TS

<p>TO ORDER BURNDY® PRODUCTS CALL</p> <p>UNITED STATES 1-800-346-4175 (LONDONDERRY, NH)</p> <p>CANADA: 1-800-361-6975 (QUEBEC) 1-800-387-6487 (ALL OTHER PROVINCES)</p> <p>FOR PRODUCT INFO: <a href="http://www.burndy.com">http://www.burndy.com</a></p>	<b>MEDIUM DISTRIBUTION BLOCK</b>		
	ITEM NO: SEE TABLE		
	CAT. NO: SEE TABLE		
	DRAWN BY: T. REYNOLDS	5/6/2015	
	CHECKER: T. REYNOLDS	6/11/2015	
	DSN APRVL: T. REYNOLDS	6/18/2015	
	MFG APRVL: M. STEVENS	6/15/2015	
	QA APRVL: C. LINDQUIST	6/12/2015	
	MKT APRVL: M. BAILLY	6/12/2015	
	PROD FAM: --	DRAWING NO	REV
PROJECT #: --	SIZE	50059696	
DOCUMENT TYPE: SALES	B	E	
REL LEVEL: Released	SHEET 4 OF 4		