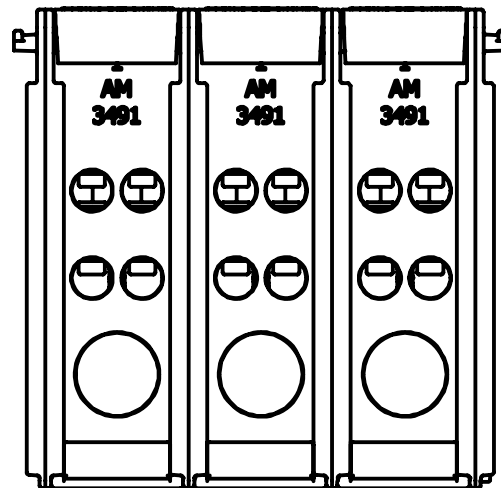
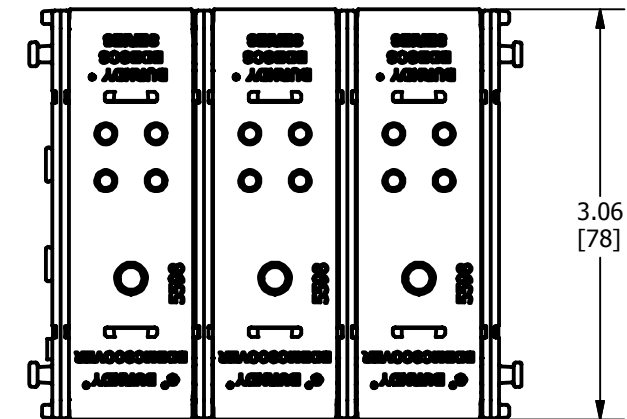
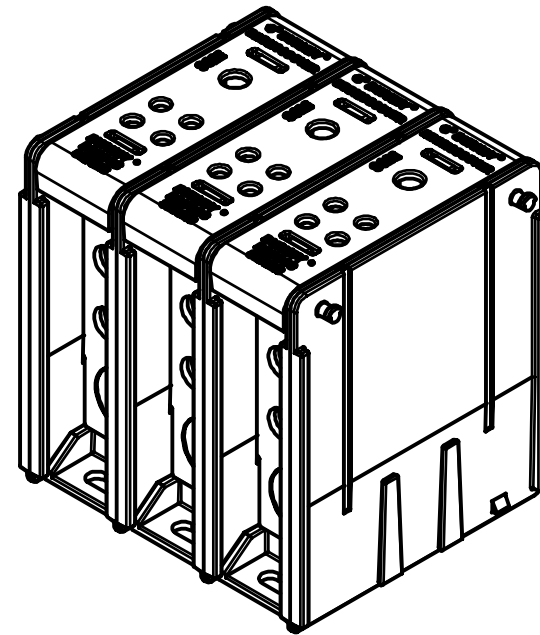


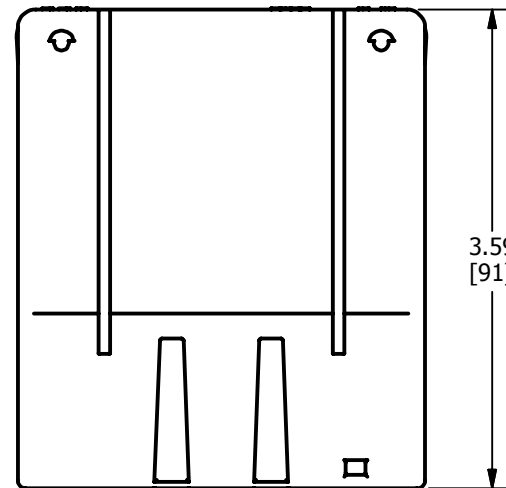
REV	DATE	DESCRIPTION	ECO	BY	C'H.K.
E	11/24/2015	DIMENSIONS UPDATED AS PER MARKUP	42184	RG	TS

**FEATURES:**

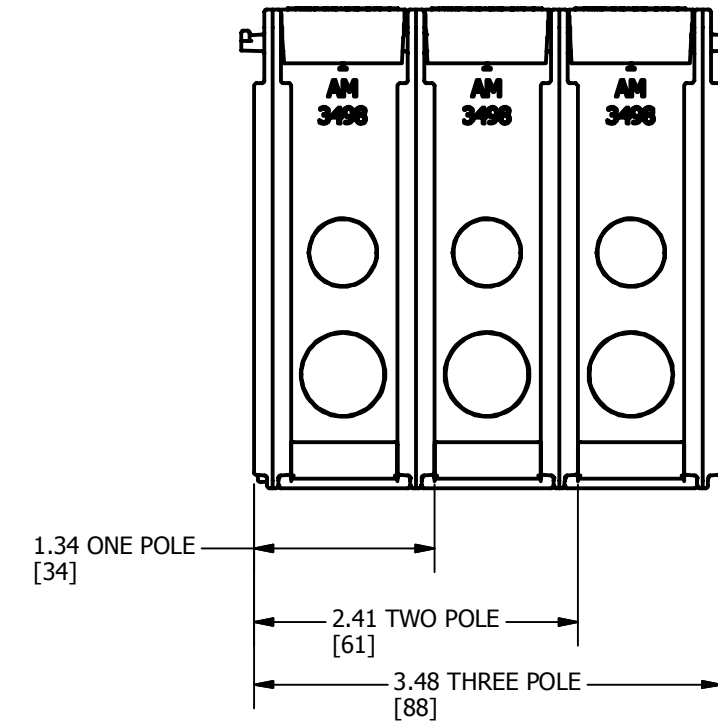
- AVAILABLE IN BOTH AN OPEN STYLE AND A FINGER SAFE STYLE
- SEE THROUGH COVERS FOR EASY INSTALLATION
- ACCOMMODATES BOTH FLEX AND CODE CONDUCTORS
- cULus LISTED TO UL1953 (FILE# E74460)
- AL9CU RATED
- FINGER SAFE STYLES PROVIDE IEC 60529 IP20 PROTECTION
- OPTIONAL TOP COVER FOR OPEN STYLE (PART BDBSCSCOVER) FOR ADDED PROTECTION
- 100KA SCCR RATING WITH CORRECT FUSING
- CONTACT CUSTOMER SERVICE FOR ALTERNATE CONFIGURATIONS AT TELEPHONE NUMBER 1 800 346-4175



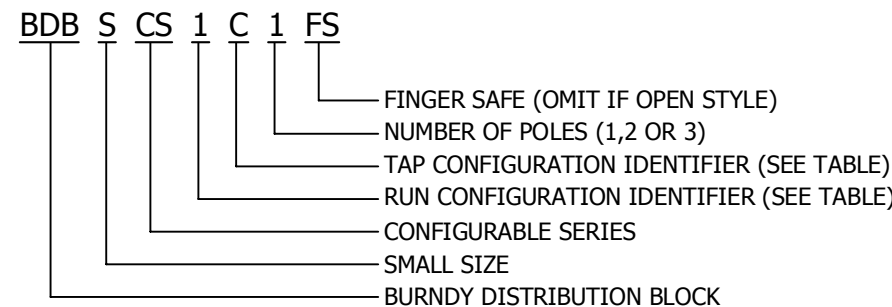
RUN SIDE



FINGER SAFE STYLE



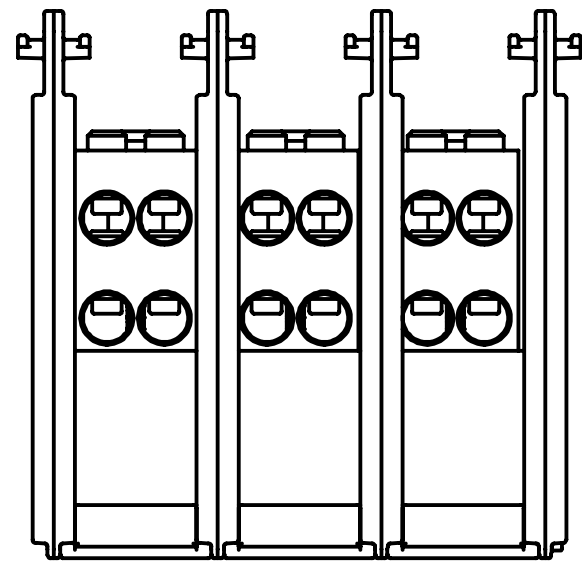
TAP SIDE



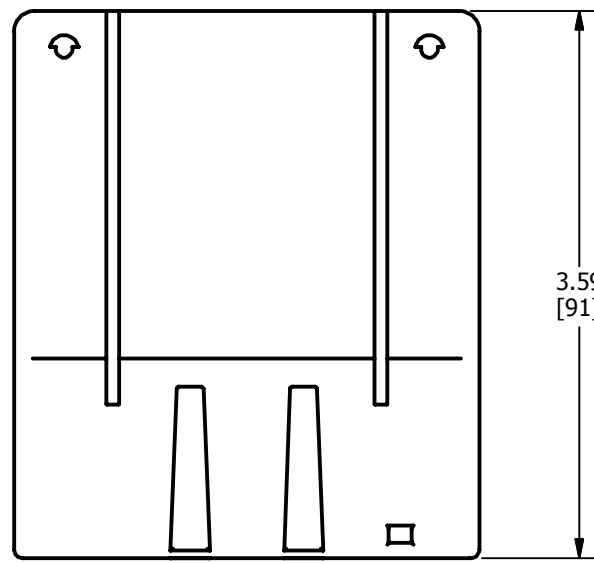
**NOTES:**

- DIMENSIONS IN BRACKETS [ ] ARE IN MILLIMETERS ROUNDED OFF TO THE NEAREST MILLIMETER, UNLESS OTHERWISE SPECIFIED AND ARE FOR REFERENCE ONLY.
- MATERIALS: BASE AND POLE SEPERATING SIDES - NYLON 6/6  
BLOCK AND RETENTION SCREWS - TIN PLATED ALUMINUM  
FINGER SAFE COVERS - POLYCARBONATE  
BLOCK MOUNTING HARDWARE - STAINLESS STEEL

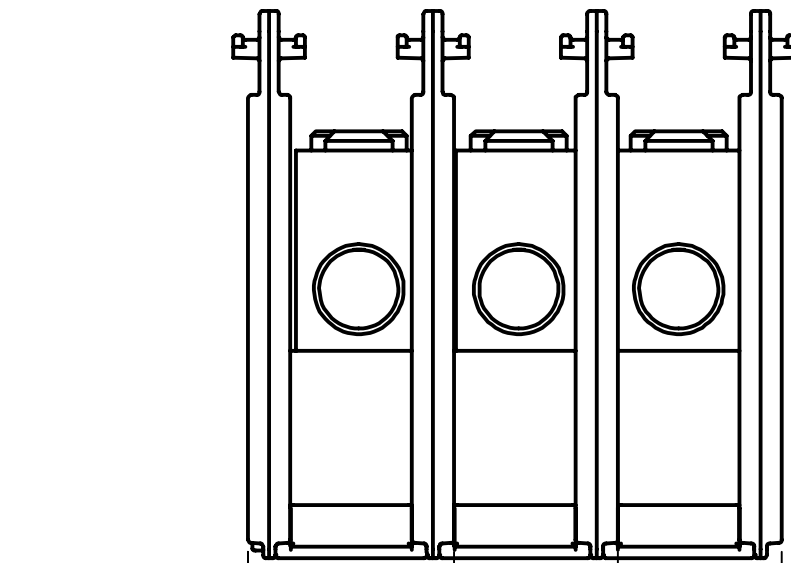
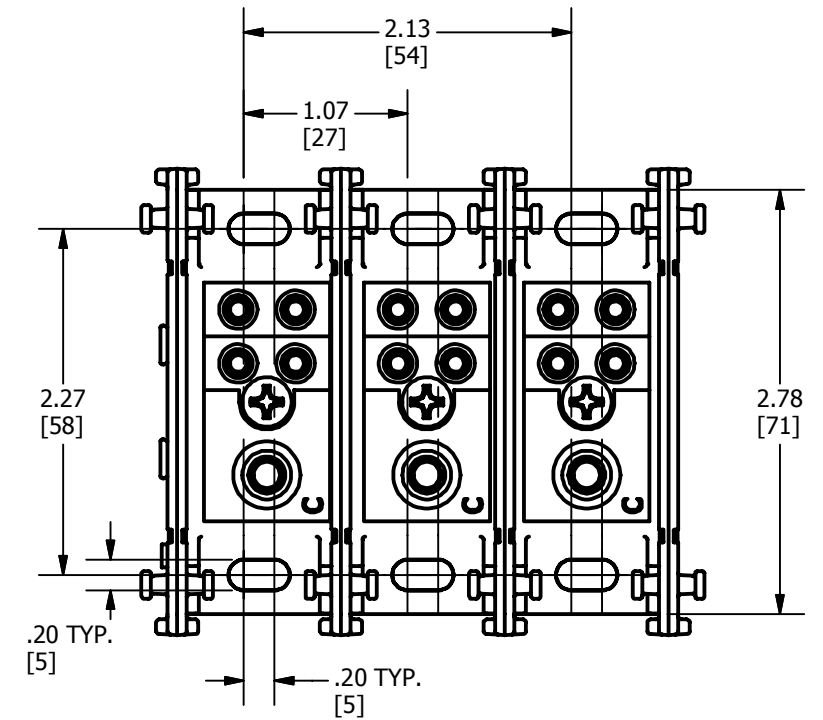
TO ORDER BURNDY® PRODUCTS CALL		SMALL DISTRIBUTION BLOCK	
UNITED STATES 1-800-346-4175 (LONDONDERRY, NH)		ITEM NO: SEE TABLE	
CANADA: 1-800-361-6975 (QUEBEC) 1-800-387-6487 (ALL OTHER PROVINCES)		CAT. NO: SEE TABLE	
FOR PRODUCT INFO: <a href="http://www.burndy.com">http://www.burndy.com</a>		DRAWN BY: T. REYNOLDS 5/6/2015	
		CHECKER: T. REYNOLDS 6/11/2015	
		DSN APRVL: T. REYNOLDS 6/18/2015	
		MFG APRVL: M. STEVENS 6/15/2015	
		QA APRVL: C. LINDQUIST 6/12/2015	
		MKT APRVL: M. BAILLY 6/12/2015	
		PROD FAM: --	
		DRAWING NO	
		50059697	
		REV	
		E	
		SHEET 1 OF 4	



RUN SIDE



OPEN STYLE



TAP SIDE

TO ORDER BURNDY® PRODUCTS CALL		SMALL DISTRIBUTION BLOCK														
UNITED STATES 1-800-346-4175 (LONDONDERRY, NH)		ITEM NO: SEE TABLE														
CANADA: 1-800-361-6975 (QUEBEC) 1-800-387-6487 (ALL OTHER PROVINCES)		CAT. NO: SEE TABLE														
FOR PRODUCT INFO: <a href="http://www.burndy.com">http://www.burndy.com</a>		<table border="1"> <tr> <td>DRAWN BY: T. REYNOLDS</td> <td>5/6/2015</td> <td rowspan="6" style="text-align: center; vertical-align: middle;"><b>BURNDY</b></td> </tr> <tr> <td>CHECKER: T. REYNOLDS</td> <td>6/11/2015</td> </tr> <tr> <td>DSN APRVL: T. REYNOLDS</td> <td>6/18/2015</td> </tr> <tr> <td>MFG APRVL: M. STEVENS</td> <td>6/15/2015</td> </tr> <tr> <td>QA APRVL: C. LINDQUIST</td> <td>6/12/2015</td> </tr> <tr> <td>MKT APRVL: M. BAILLY</td> <td>6/12/2015</td> </tr> </table>		DRAWN BY: T. REYNOLDS	5/6/2015	<b>BURNDY</b>	CHECKER: T. REYNOLDS	6/11/2015	DSN APRVL: T. REYNOLDS	6/18/2015	MFG APRVL: M. STEVENS	6/15/2015	QA APRVL: C. LINDQUIST	6/12/2015	MKT APRVL: M. BAILLY	6/12/2015
DRAWN BY: T. REYNOLDS	5/6/2015	<b>BURNDY</b>														
CHECKER: T. REYNOLDS	6/11/2015															
DSN APRVL: T. REYNOLDS	6/18/2015															
MFG APRVL: M. STEVENS	6/15/2015															
QA APRVL: C. LINDQUIST	6/12/2015															
MKT APRVL: M. BAILLY	6/12/2015															
PROJ #:	---	DRAWING NO:	50059697													
DOC TYPE:	SALES	REV:	E													
REL LEVEL:	Released	SIZE:	B													
		SHEET 2 OF 4														

REV	DATE	DESCRIPTION	ECO	BY	C'H'K.
E	11/24/2015	DIMENSIONS UPDATED AS PER MARKUP	42184	RG	TS


**BURNDY SMALL DISTRIBUTION BLOCKS**

BLOCKS		BLOCKS								AMPACITY
CATALOG NUMBER	ITEM NUMBER	RUN				TAP				
		HOLE LAYOUT	RANGE	TORQUE in-lbs		HOLE LAYOUT	RANGE	TORQUE in-lbs		
BDBSCS1C1	50040307	O (1)	#14 awg - 2/0 B, C, H, I, K, DLO	#14-#6	80	OO (4)	#14 awg - #4 awg B, C, H, I, K, DLO	#12-#8 AL	10	175
BDBSCS1C2	50042946			#4-2/0	120			#14-#8 CU	15	
BDBSCS1C3	50042988			#6-#4	30					
BDBSCS1P1	50040315	O (1)	#14 awg - 2/0 B, C, H, I, K, DLO	#14-#6	80	O (1)	#14 awg - 2/0 B, C, H, I, K, DLO	#14-#6	80	175
BDBSCS1P2	50042954			#4-2/0	120			#4-2/0	120	
BDBSCS1P3	50042996									

RUN HOLES		
DIGIT	HOLE LAYOUT	RANGE
1	O	#14 awg - 2/0
2	OO	#14 awg - 2/0
3	O	#6 awg - 350 kcmil
4	OO	#6 awg - 350 kcmil
5	O	#4 awg - 500 kcmil
6	OO	#4 awg - 500 kcmil


RUN HOLES		
LETTER	HOLE LAYOUT	RANGE
A	OOOOOO OOOOOO	#14 awg - #4 awg
B	OOO OOO	
C	OO OO	
D	OO	
E	O	
F	OOO OOO	#14 awg - #2 awg
G	OO OO	
H	OO	
J	O	#14 awg - 2/0
K	OOO OOO	
M	OO OO	
N	OO	#6 awg - 4/0
P	O	
R	OO OO	#6 awg - 350 kcmil
T	OO	
U	O	#4 awg - 500 kcmil
V	OO	
W	O	
X	O	750 kcmil

REV	DATE	DESCRIPTION	ECO	BY	C'H'K.
E	11/24/2015	DIMENSIONS UPDATED AS PER MARKUP	42184	RG	TS

TO ORDER BURNDY® PRODUCTS CALL  UNITED STATES 1-800-346-4175 (LONDONDERRY, NH)  CANADA: 1-800-361-6975 (QUEBEC) 1-800-387-6487 (ALL OTHER PROVINCES)  FOR PRODUCT INFO: <a href="http://www.burndy.com">http://www.burndy.com</a>	SMALL DISTRIBUTION BLOCK			
	ITEM NO: SEE TABLE			
	CAT. NO: SEE TABLE			
	DRAWN BY: T. REYNOLDS	5/6/2015		
	CHECKER: T. REYNOLDS	6/11/2015		
	DSN APRVL: T. REYNOLDS	6/18/2015		
	MFG APRVL: M. STEVENS	6/15/2015		
	QA APRVL: C. LINDQUIST	6/12/2015		
	MKT APRVL: M. BAILLY	6/12/2015		
	PROD FAM: --	DRAWING NO	REV	
PROJECT #: --	SIZE	50059697	E	
DOCUMENT TYPE: SALES	B	SHEET 3 OF 4		
REL LEVEL: Released				

SCCR FUSE VALUES								
OPEN STYLE	FINGER SAFE	J	T	RK1	RK5	G	CC	L
BDBSCS1P1	BDBSCS1P1FS	200	200	100	30	60	30	200
BDBSCS1P2	BDBSCS1P2FS	200	200	100	30	60	30	200
BDBSCS1P3	BDBSCS1P3FS	200	200	100	30	60	30	200
BDBSCS1C1	BDBSCS1C1FS	200	200	100	30	60	30	200
BDBSCS1C2	BDBSCS1C2FS	200	200	100	30	60	30	200
BDBSCS1C3	BDBSCS1C3FS	200	200	100	30	60	30	200

REV	DATE	DESCRIPTION	ECO	BY	C'H'K.
E	11/24/2015	DIMENSIONS UPDATED AS PER MARKUP	42184	RG	TS

<p>TO ORDER BURNDY® PRODUCTS CALL</p> <p>UNITED STATES 1-800-346-4175 (LONDONDERRY, NH)</p> <p>CANADA: 1-800-361-6975 (QUEBEC) 1-800-387-6487 (ALL OTHER PROVINCES)</p> <p>FOR PRODUCT INFO: <a href="http://www.burndy.com">http://www.burndy.com</a></p>	SMALL DISTRIBUTION BLOCK		
	ITEM NO: SEE TABLE		
	CAT. NO: SEE TABLE		
	DRAWN BY: T. REYNOLDS	5/6/2015	
	CHECKER: T. REYNOLDS	6/11/2015	
	DSN APRVL: T. REYNOLDS	6/18/2015	
	MFG APRVL: M. STEVENS	6/15/2015	
	QA APRVL: C. LINDQUIST	6/12/2015	
	MKT APRVL: M. BAILLY	6/12/2015	
	PROD FAM: --	DRAWING NO	REV
PROJECT #: --	SIZE	50059697	
DOCUMENT TYPE: SALES	B	E	
REL LEVEL: Released	SHEET 4 OF 4		