

CATALOG NUMBER	DESCRIPTION
Y444SBH	CRIMPER, 11 TON DIELESS, REMOTE C HEAD, MALE DISCONNECT
Y444SBHF	CRIMPER, 11 TON DIELESS, REMOTE C HEAD, FEMALE DISCONNECT
Y444SBHC	CRIMPER, 11 TON DIELESS, REMOTE COVERED C HEAD, MALE DISCONNECT
Y444SBHFC	CRIMPER, 11 TON DIELESS, REMOTE COVERED C HEAD, FEMALE DISCONNECT

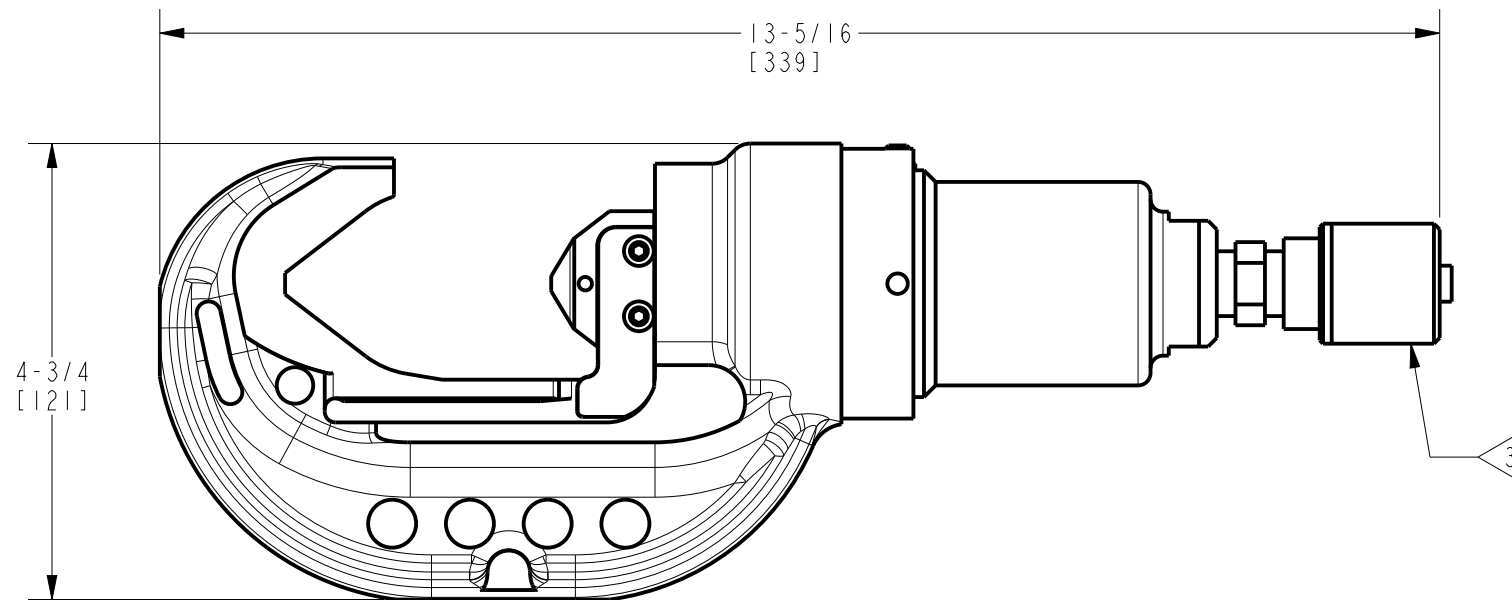
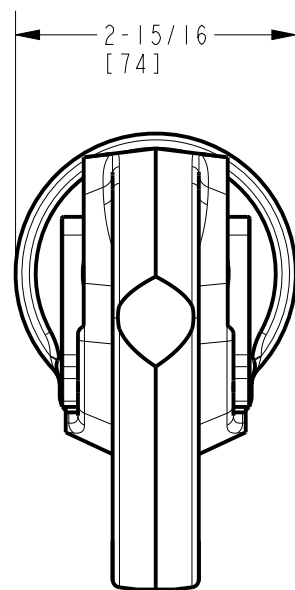
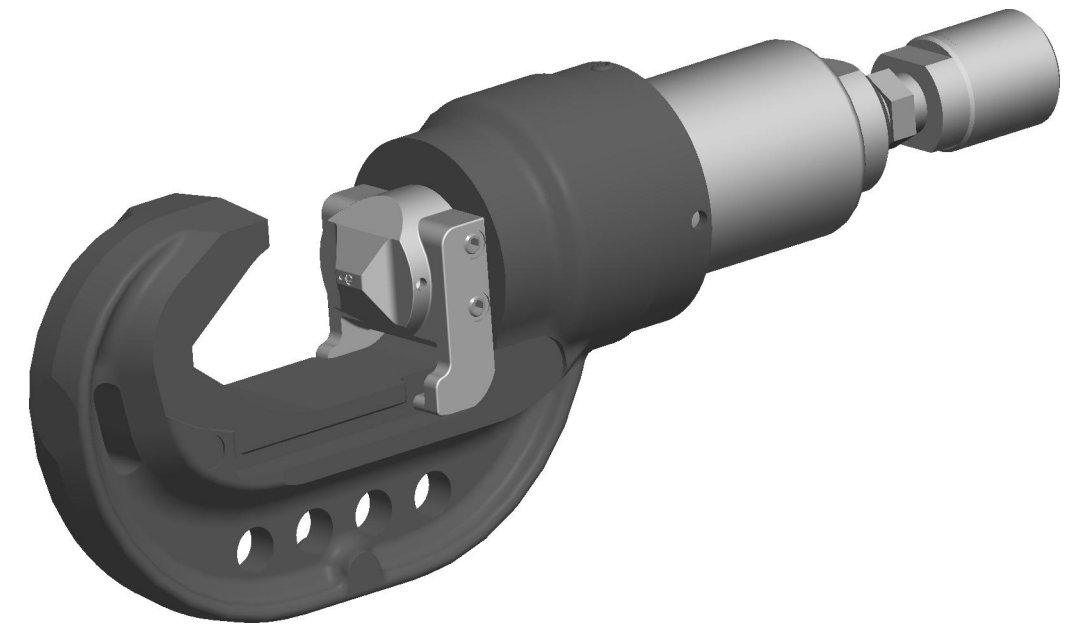
REV.	DATE	DESCRIPTION	ECO	BY	C'H'K.
B	2019-04-26 00:00:00 EDT	DRAWING RELEASED	51318	TRF	LNB

SPECIFICATIONS:

INPUT PRESSURE: 10,000 PSI
 OUTPUT FORCE: 11 TONS
 TOOLS WEIGHT: 10.5 LBS (4.7 kg)

FEATURES AND BENEFITS

- STATE OF THE ART "C" SHAPED CRIMPING HEAD DESIGN, 355° ROTATION LETS THE USER GET INTO TIGHT AREAS EASIER.
- DIELESS SYSTEM ELIMINATES THE NEED TO PURCHASE AND MAINTAIN DIES.
- DIELESS SYSTEM ALLOWS CONNECTORS AND SPLICES TO BECOME RANGE TAKING.
- 5 YEAR LIMITED WARRANTY ON THE TOOL.



NOTES:

1. READ AND FOLLOW ALL INSTRUCTIONS PROVIDED BY THE OPERATORS MANUAL AND WARNING LABELS BEFORE USING THIS TOOL.
2. DIMENSIONS IN BRACKETS [] ARE IN MILLIMETERS ROUNDED OFF TO THE NEAREST MILLIMETER UNLESS OTHERWISE NOTED AND ARE FOR REFERENCE ONLY.

3. Y444SBHF AND Y444SBHFC HAVE FEMALE (PT93) COUPLER.

TO ORDER BURNDY® PRODUCTS CALL
 UNITED STATES:
 1-800-346-4175 (LONDONDERRY, NH)
 CANADA:
 1-800-361-6975 (QUEBEC)
 1-800-387-6487 (ALL OTHER PROVINCES)
 FOR PRODUCT INFO: <http://www.burndy.com>

Y444SBH	
ITEM NO: N/A	
CAT. NO: SEE TABLE	
DRAWN BY: T. FAUCHER 07/07/2016	
CHECKER: M. GUARRERA 10/29/2018	
DSN APPVL: L. BROWN 11/01/2018	
MFG APPVL: G. NOONE 10/31/2018	
QA APPVL: C. LINDQUIST 11/01/2018	
MKT APPVL: M. GUARRERA 10/31/2018	
PROD FAM: TOOLS, HYDRAULIC	SCALE: 1:1
PROJECT #: --	DRAWING NO
DOCUMENT TYPE: Sales	50060031
REL LEVEL: Released	B
	SHEET 1 OF 1

REV: PE0200