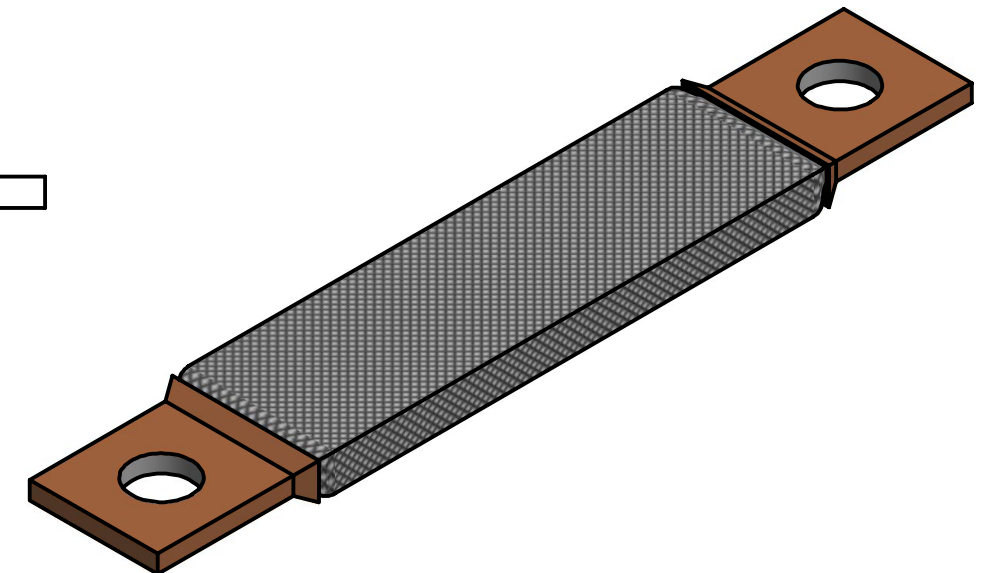
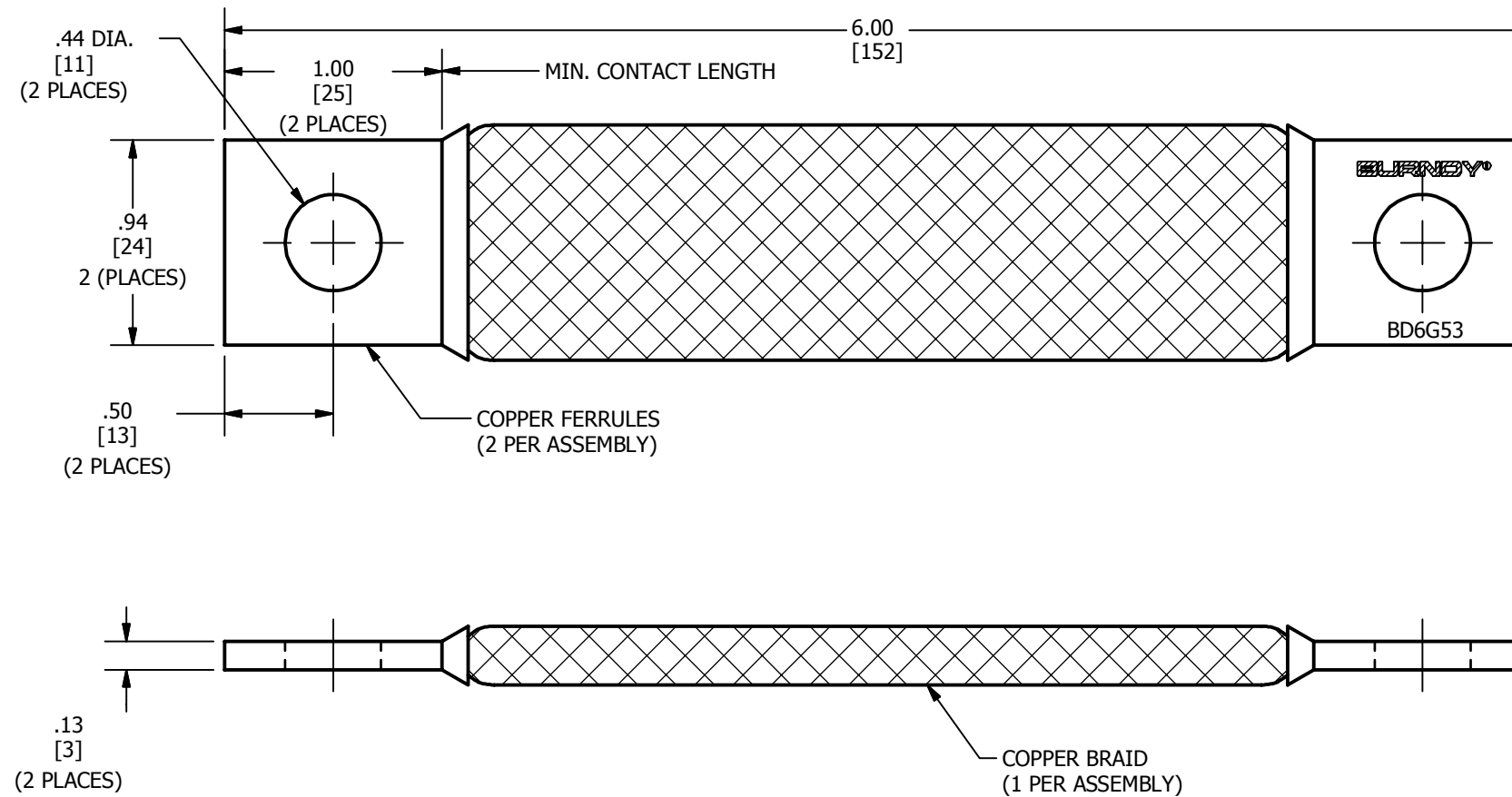


REV	DATE	DESCRIPTION	ECO	BY	C'H'K.
A	11/11/2015	NEW SALES DRAWING CREATED	40477	SPR	DD



NOTES:

1. APPROXIMATE AMP RATING : 190 INDOOR, 225 OUTDOOR.
THIS RATING MAY VARY WITH AMBIENT CONDITIONS.
ORIENTATION OF THE BRAID AND OTHER SERVICE CONDITIONS.
2. DIMENSIONS IN BRACKETS [] ARE IN MILLIMETERS ROUNDED OFF TO THE NEAREST MILLIMETER, UNLESS OTHERWISE NOTED, AND ARE FOR REFERENCE ONLY.
3. APPROXIMATE WEIGHT IN POUNDS: .427 lbs.

TO ORDER BURNDY® PRODUCTS CALL		BRAID	
UNITED STATES 1-800-346-4175 (LONDONDERRY, NH)		ITEM NO: 3320JX	
CANADA: 1-800-361-6975 (QUEBEC) 1-800-387-6487 (ALL OTHER PROVINCES)		CAT. NO: BD6G53	
FOR PRODUCT INFO: http://www.burndy.com		DRAWN BY: RAAMANATHAN 05/09/2015	
		CHECKER: L.TROMBLEY 11/12/2015	
		DSN APRVL: L.TROMBLEY 11/12/2015	
		MFG APRVL: M.STEVENS 11/16/2015	
		QA APRVL: C.LINDQUEST 11/13/2015	
		MKT APRVL: --	
PROD FAM: MECHANICAL GROUNDING	DRAWING NO	REV	
PROJECT #: --	SIZE	50060325	A
DOCUMENT TYPE: SALES	B	SHEET 1 OF 1	
REL LEVEL: Released			