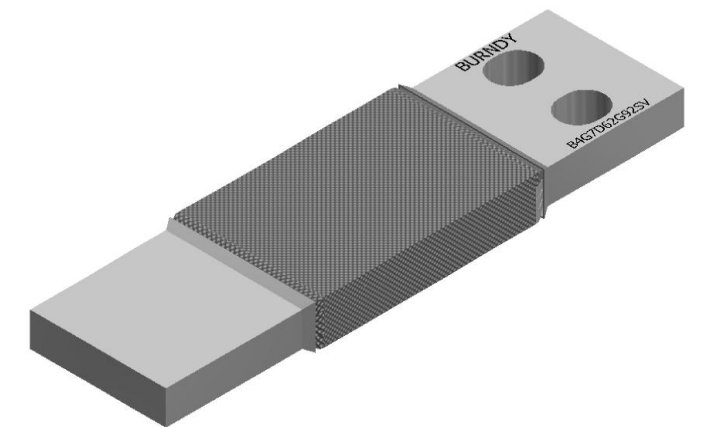
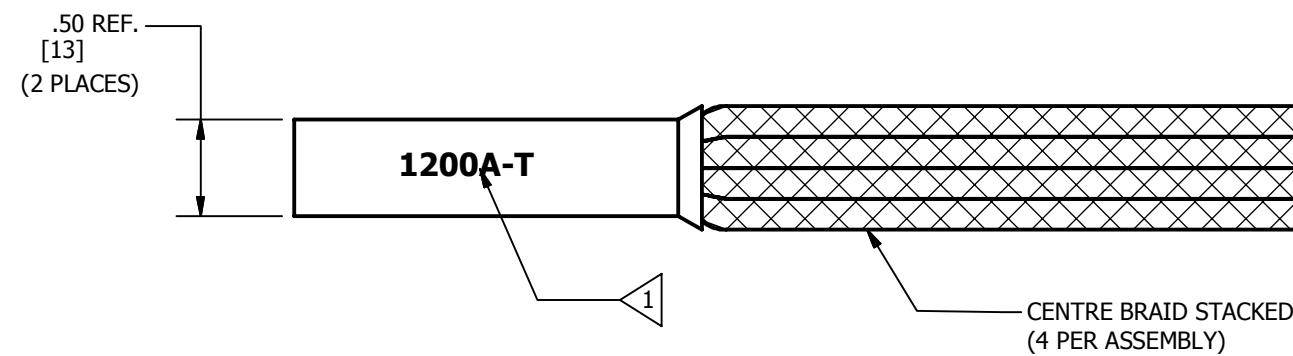
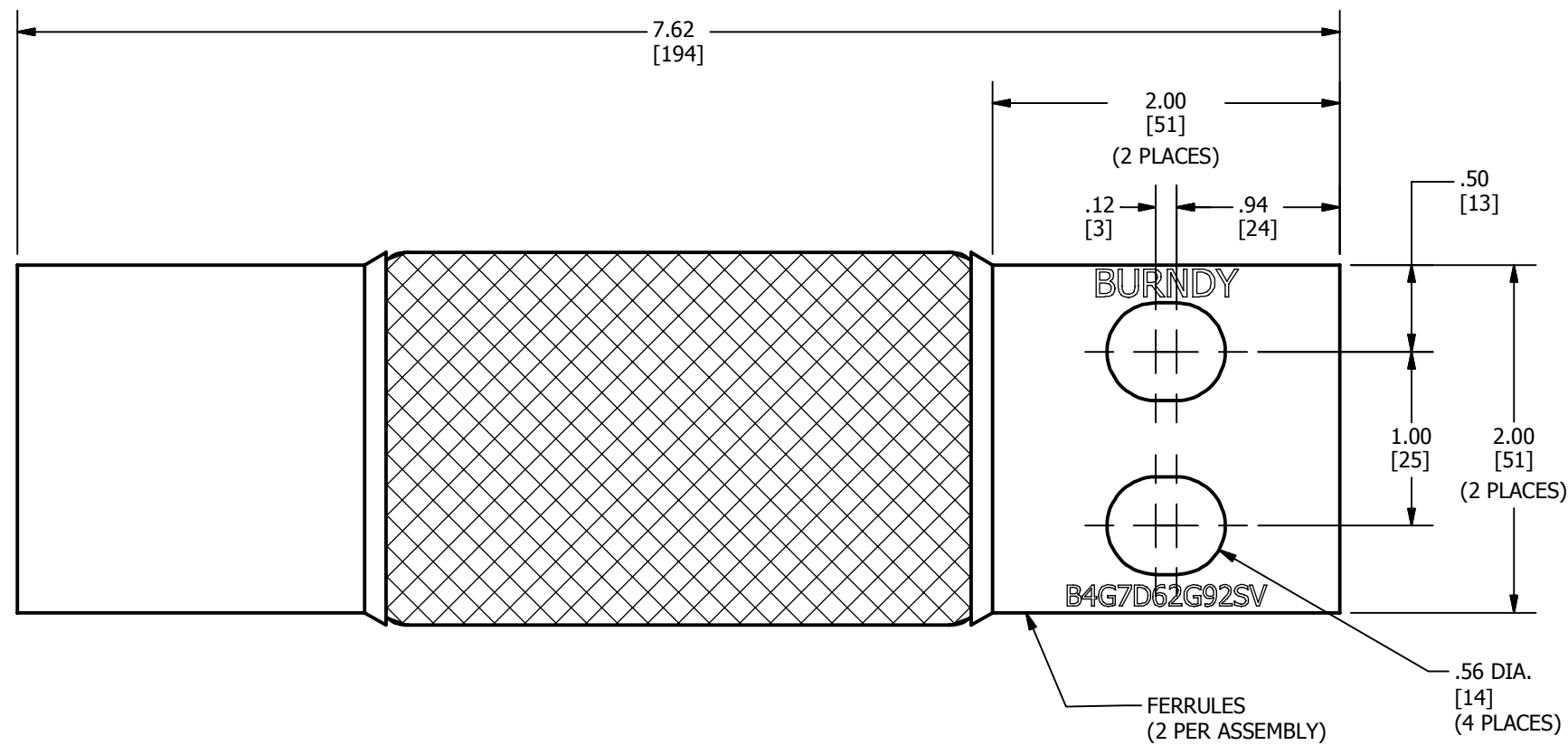


REV	DATE	DESCRIPTION	ECO	BY	C'H.K.
A	09/22/2015	FOCUS REQUEST # FPN1508057	41665	AS	MB



NOTES:

1 INK STAMP "1200 A-T".

2. MATERIAL:

BRAID - TIN PLATED COPPER
 FERRULE - SILVER PLATED COPPER TUBE

3. DIMENSIONS IN BRACKETS [] ARE IN MILLIMETERS ROUNDED OFF TO THE NEAREST MILLIMETER, UNLESS OTHERWISE NOTED, AND ARE FOR REFERENCE ONLY.

4. APPROXIMATE WEIGHT IN POUNDS:- 2.774 LBS.

TO ORDER BURNDY® PRODUCTS CALL		BRAID	
UNITED STATES		ITEM NO: 50063275	
1-800-346-4175 (LONDONDERRY, NH)		CAT. NO: B4G7D62G92SV	
CANADA:		DRAWN BY: MSUBRAMANI 8/24/2015	
1-800-361-6975 (QUEBEC)		CHECKER: MANIKANDAN 6/8/2015	
1-800-387-6487 (ALL OTHER PROVINCES)		DSN APRVL: --	
FOR PRODUCT INFO: http://www.burndy.com		MFG APRVL: --	
		QA APRVL: --	
		MKT APRVL: --	
		PROD FAM: MECHANICAL GROUNDING	
		DRAWING NO	
		50060437	
		REV	
		A	
		SHEET 1 OF 1	