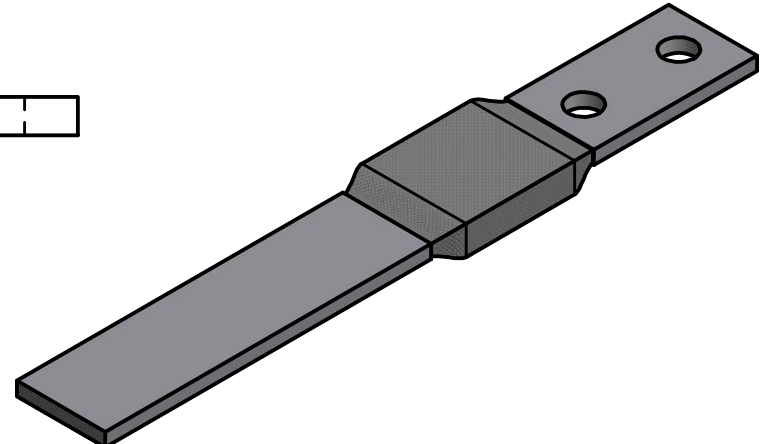
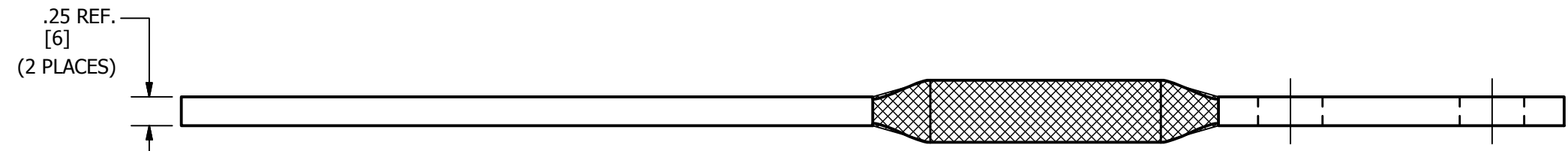
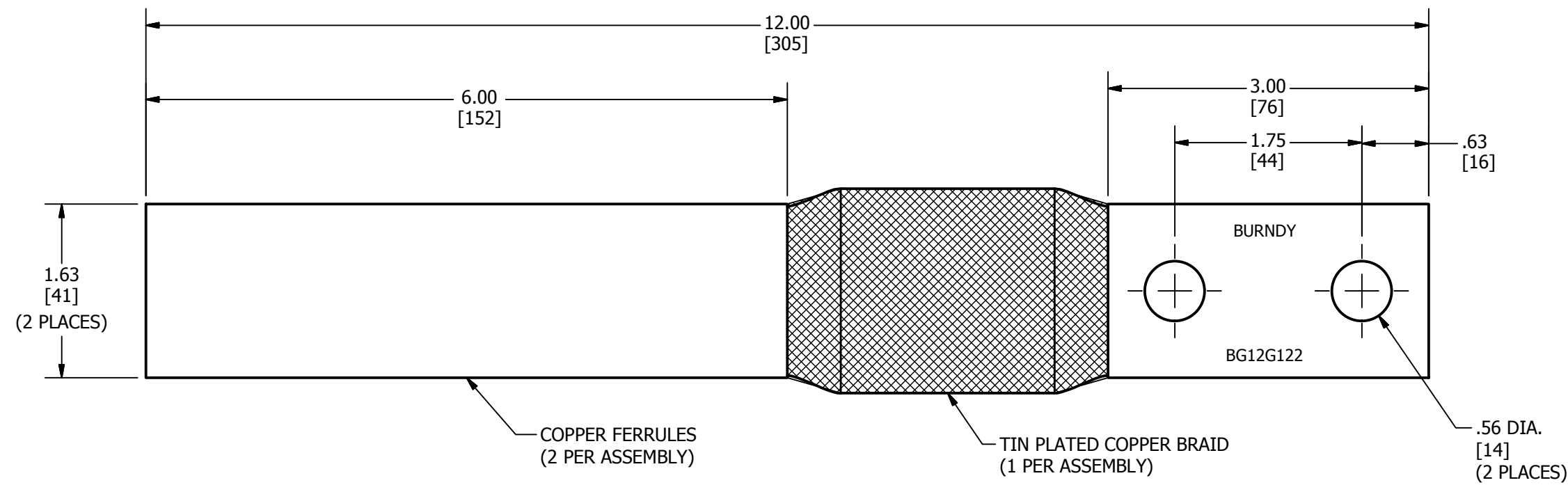


REV	DATE	DESCRIPTION	ECO	BY	C'H'K.
A	6/25/2015	RELEASE DRAWING	40766	GHR	GHR



NOTES:

1. APPROXIMATE AMP RATING: 400A. THIS RATING MAY VARY WITH AMBIENT CONDITIONS, ORIENTATION OF THE BRAID, AND OTHER SERVICE CONDITIONS.
2. DIMENSIONS IN BRACKETS [] ARE IN MILLIMETERS ROUNDED OFF TO THE NEAREST MILLIMETER, UNLESS OTHERWISE NOTED, AND ARE FOR REFERENCE ONLY.
3. APPROXIMATE WEIGHT: 2.022 LBS

TO ORDER BURNDY® PRODUCTS CALL		FLEXIBLE BRAID	
UNITED STATES 1-800-346-4175 (LONDONDERRY, NH)		ITEM NO: 50060317	
CANADA: 1-800-361-6975 (QUEBEC) 1-800-387-6487 (ALL OTHER PROVINCES)		CAT. NO: BG12G122	
FOR PRODUCT INFO: http://www.burndy.com		DRAWN BY: SENTHIL 6/1/2015	
		CHECKER: MANIKANDAN 6/1/2015	
		DSN APRVL: L. TROMBLEY 6/29/2015	
		MFG APRVL: --	
		QA APRVL: C. LINDQUIST 6/29/2015	
		MKT APRVL: K. ROBICHEAU 6/29/2015	
PROD FAM: MECHANICAL GROUNDING	DRAWING NO	REV	
PROJECT #: FOCUS	SIZE	50060538	A
DOCUMENT TYPE: SALES	B	SHEET 1 OF 1	
REL LEVEL: Released			