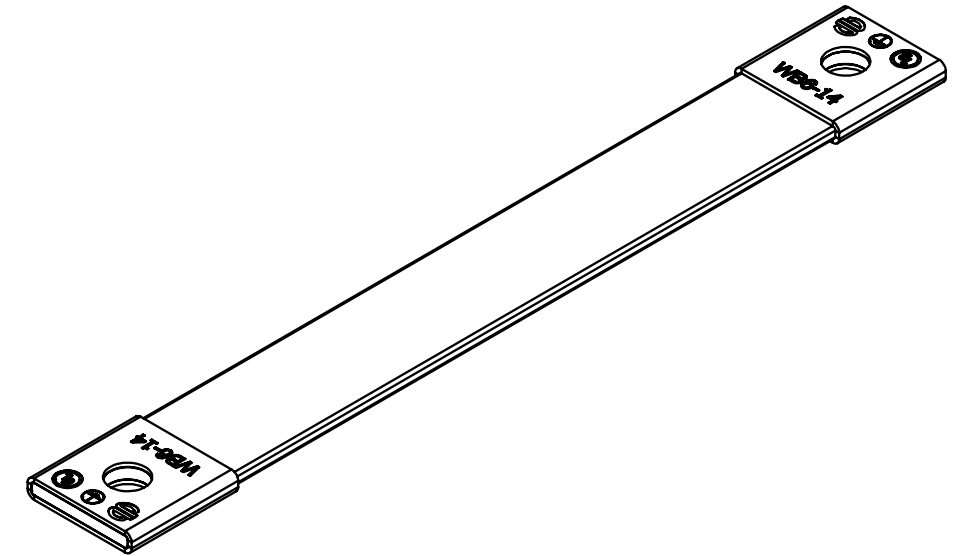
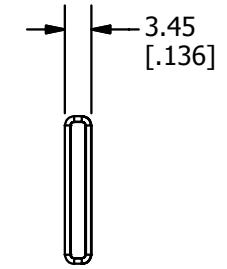
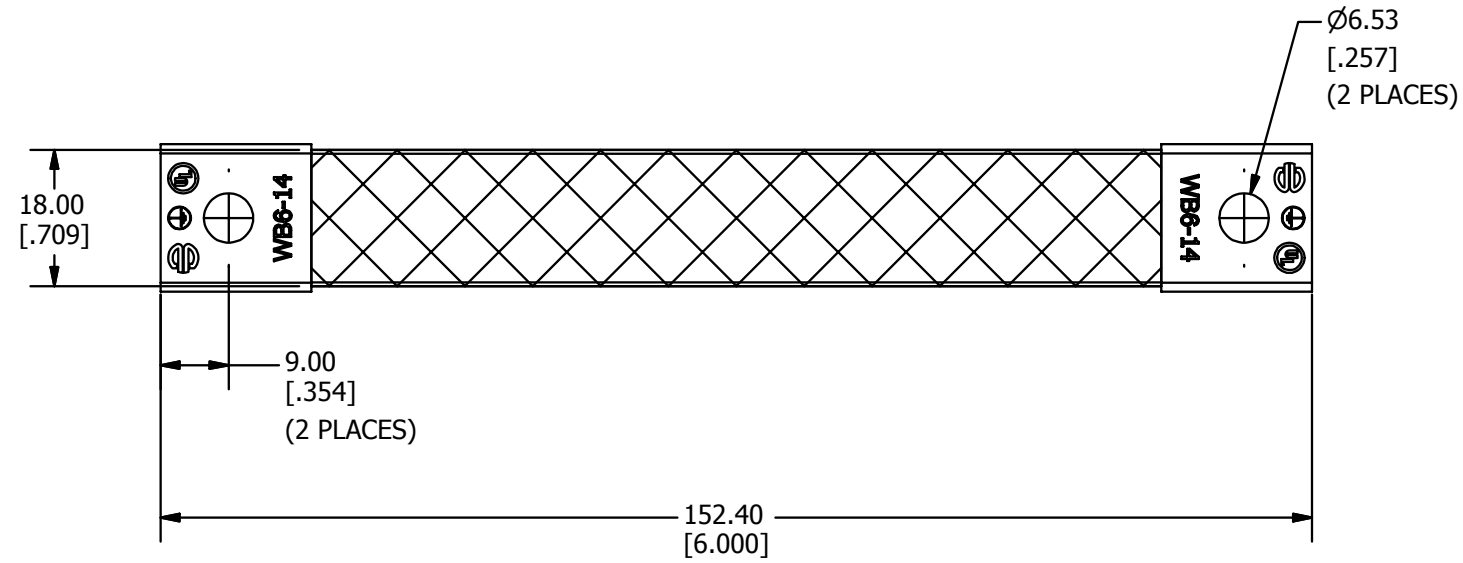


REV	DATE	DESCRIPTION	ECO	BY	C'H'K.
B	10/07/2016	DRAWING FORMAT UPDATED	45006	SM	DS



3D VIEW

NOTES:

- MATERIAL: BRAID: COPPER (#5 AWG)
FERRULE: COPPER
FINISH: TIN PLATED
- DIMENSIONS IN BRACKETS [] ARE IN INCHES ROUNDED OFF TO THE NEAREST TENTH, UNLESS OTHERWISE SPECIFIED AND ARE FOR REFERENCE ONLY.

TO ORDER BURNDY PRODUCTS CALL		BRAID	
UNITED STATES		ITEM NO: 50060542	
1-800-346-4175 (LONDONDERRY, NH)		CAT. NO: WILEYBRAID6	
CANADA:		DRAWN BY: T.MURUGESAN 10/3/2016	
1-800-361-6975 (QUEBEC)		CHECKER: D SHEA 3/3/2017	
1-800-387-6487 (ALL OTHER PROVINCES)		DSN APRVL: D SHEA 3/3/2017	
FOR PRODUCT INFO: http://www.burndy.com		MFG APRVL: M.STEVENS 3/1/2017	
		QA APRVL: B POST 3/1/2017	
		MKT APRVL: S.PARSONS 3/15/2017	
PROD FAM: WILEY	SIZE	DRAWING NO	REV
PROJECT #:	B	50060544	B
DOCUMENT TYPE: SALES		SHEET 1 OF 1	
REL LEVEL: Released			