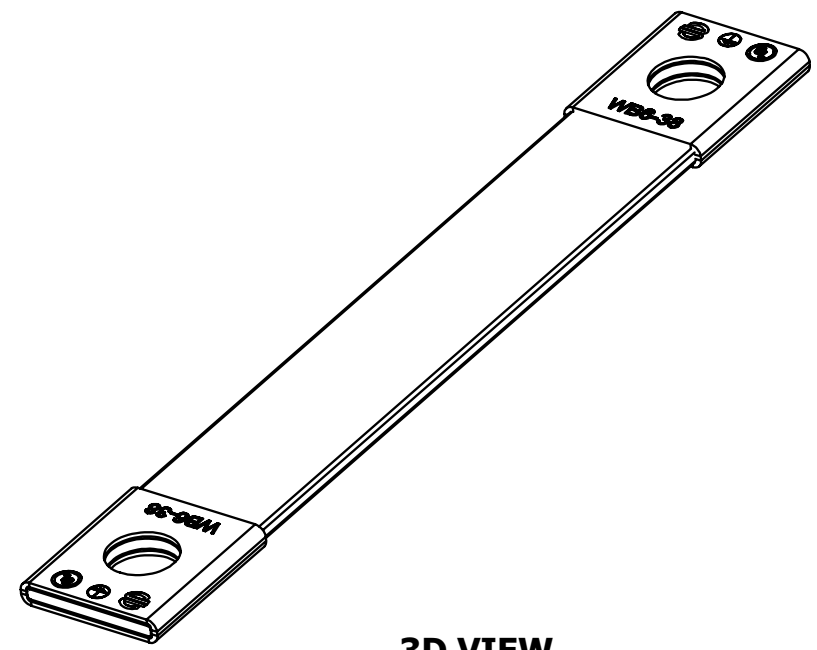
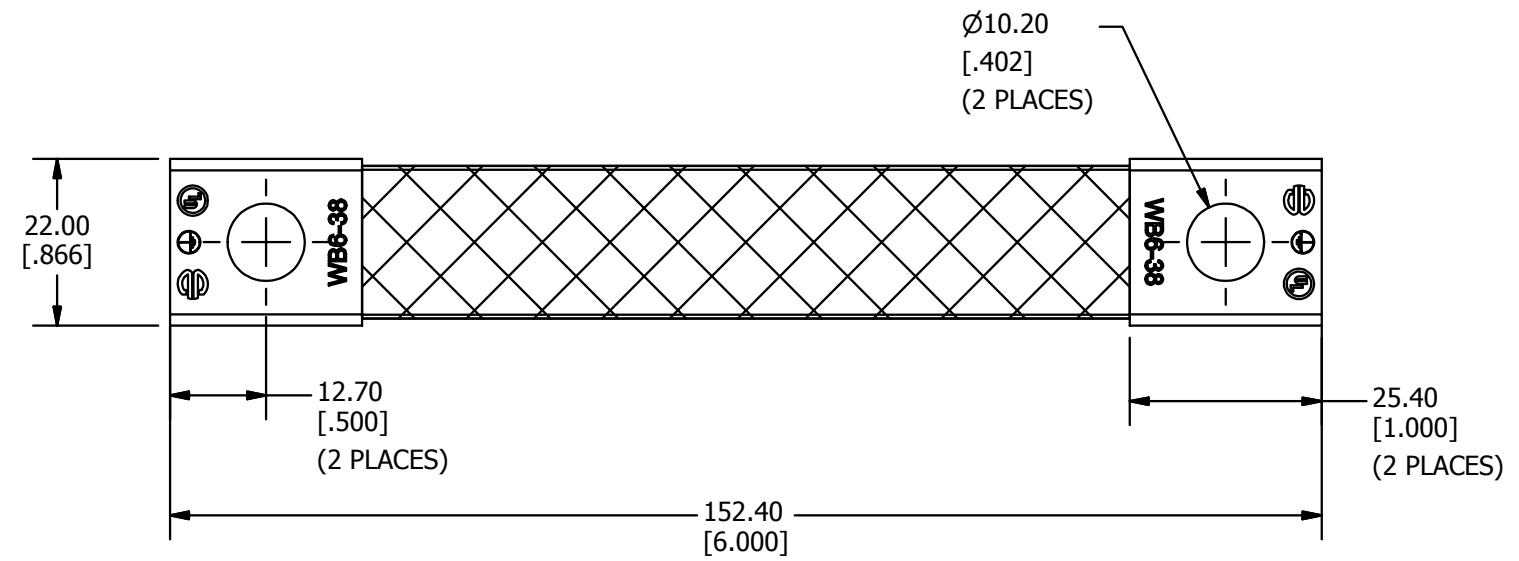


REV	DATE	DESCRIPTION	ECO	BY	C'H'K.
B	6/23/2015	ADDED MARKINGS TO BRAID DRAWINGS	40695	GN	EM



3D VIEW

NOTES:

- MATERIAL: BRAID: COPPER (#4 AWG)
FERRULE: COPPER
FINISH: TIN PLATED
- DIMENSIONS IN BRACKETS [] ARE IN INCHES ROUNDED OFF TO THE NEAREST TENTH, UNLESS OTHERWISE SPECIFIED AND ARE FOR REFERENCE ONLY.

TO ORDER BURNDY PRODUCTS CALL		BRAID	
UNITED STATES		ITEM NO: 50060879	
1-800-346-4175 (LONDONDERRY, NH)		CAT. NO: WILEYBRAID6-38	
CANADA:		DRAWN BY: GNATHR 07/2/2015	
1-800-361-6975 (QUEBEC)		CHECKER: E MARTIN 07/2/2015	
1-800-387-6487 (ALL OTHER PROVINCES)		DSN APRVL: E MARTIN 07/2/2015	
FOR PRODUCT INFO: http://www.burndy.com		MFG APRVL: M STEVENS 07/13/2015	
		QA APRVL: C KOWALCZYK 07/2/2015	
		MKT APRVL: S PARSONS 07/6/2015	
PROD FAM: WILEY	DRAWING NO	REV	
PROJECT #:	SIZE	50060880	B
DOCUMENT TYPE: SALES	B	SHEET 1 OF 1	
REL LEVEL: Released			