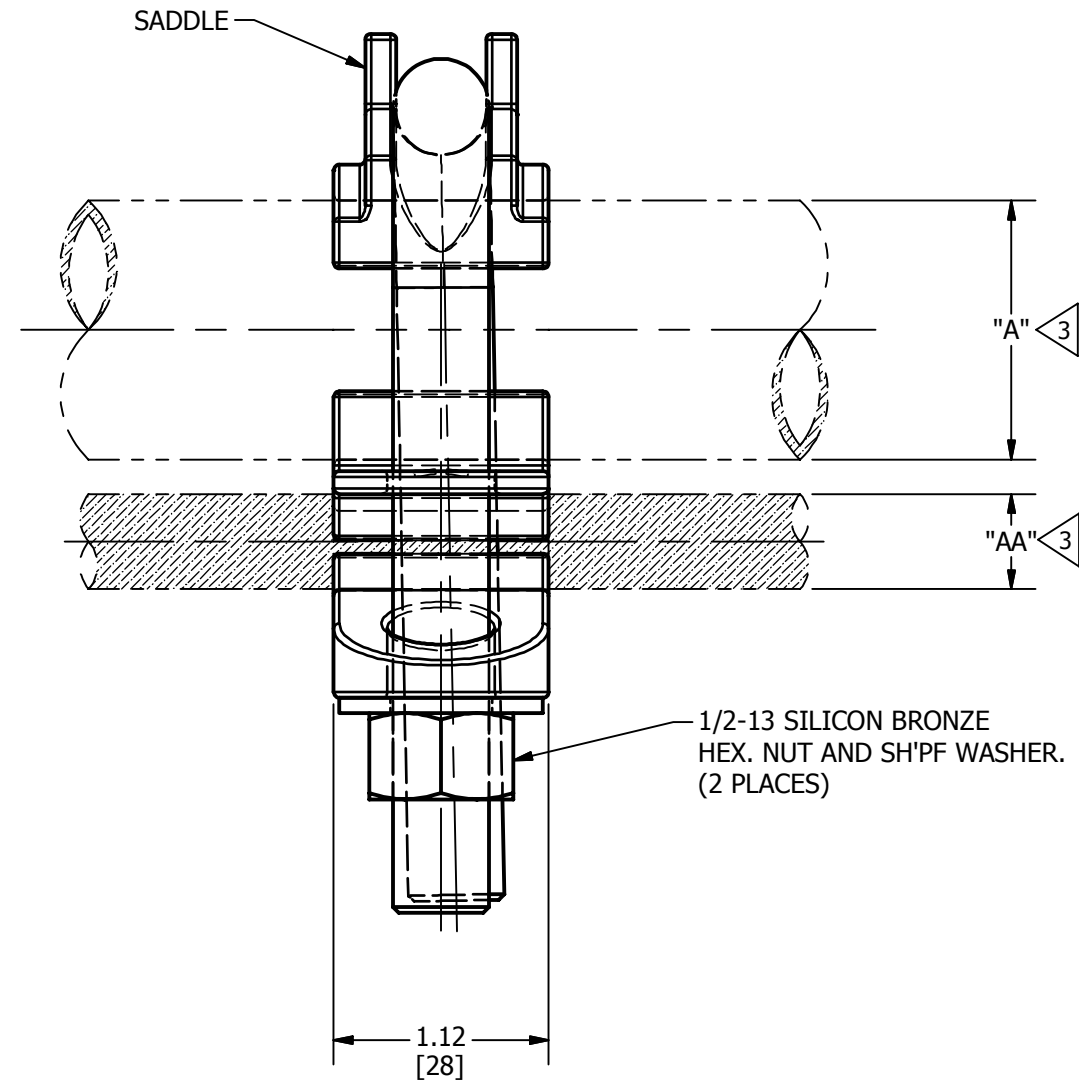
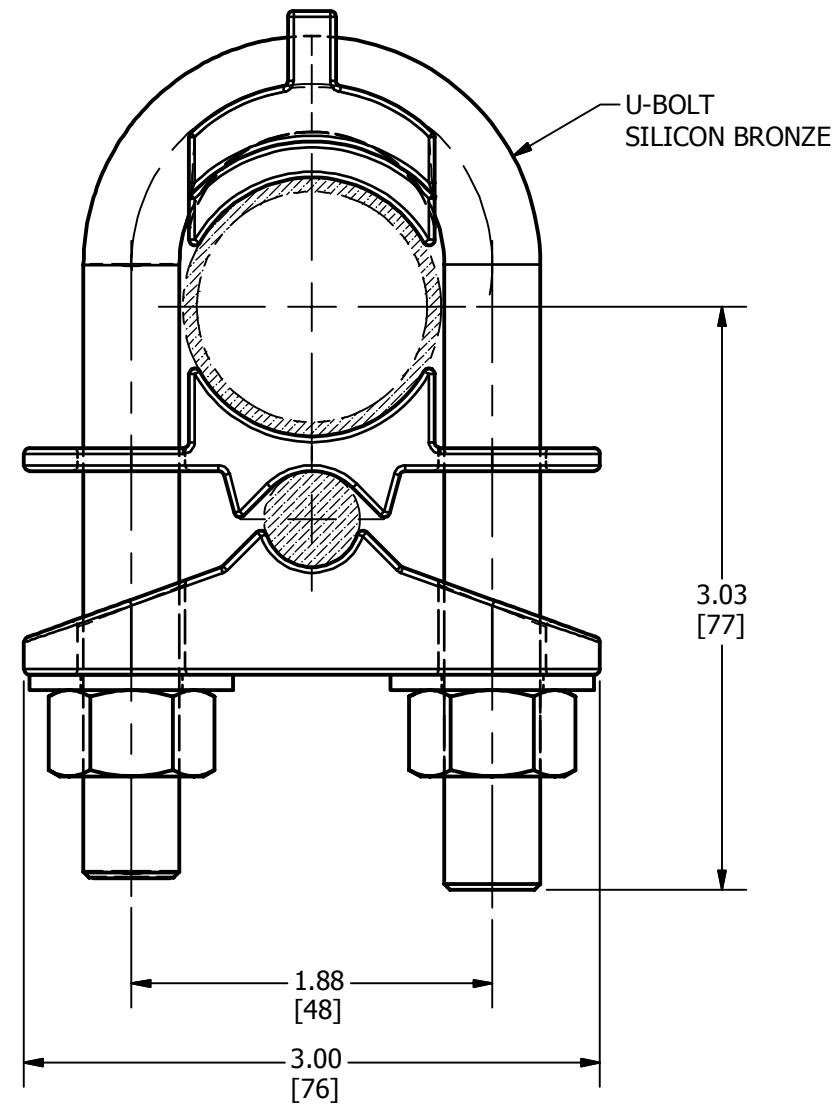


REV	DATE	DESCRIPTION	ECO	BY	CHK.
A	06/30/2015	CREATE SALES DRAWING	40790	DD	MA



NOTES:

1. MATERIAL: CAST COPPER ALLOY.

2. FINISH: TIN PLATED.

3 ACCOMMODATES:

"A" - 1" I.P.S. (1.315 [33])

"AA" - 2/0 (.418 [11]) TO 4/0 (.528 [13]) CU. AND ALUM.

4. NOMINAL INSTALLATION TORQUE: 1/2-13 SILICON BRONZE - 480 [55] Lb-in [Nm].

5. DIMENSIONS IN BRACKETS [] ARE IN MILLIMETERS ROUNDED OFF TO THE NEAREST MILLIMETER, UNLESS OTHERWISE SPECIFIED AND ARE FOR REFERENCE ONLY.

TO ORDER BURNDY® PRODUCTS CALL UNITED STATES 1-800-346-4175 (LONDONDERRY, NH) CANADA: 1-800-361-6975 (QUEBEC) 1-800-387-6487 (ALL OTHER PROVINCES) FOR PRODUCT INFO: http://www.burndy.com		GROUND CONNECTOR	
		ITEM NO: 27001979 CAT. NO: GAR1528CG4	
DRAWN BY: D DHEENA 6/30/2015 CHECKER: L TROMBLEY 7/16/2015 DSN APRVL: L TROMBLEY 7/16/2015 MFG APRVL: -- QA APRVL: C KOWALCZYK 7/17/2015 MKT APRVL: P THERRIEN 7/16/2015			
PROJ #: DOCUMENT TYPE: SALES REL LEVEL: Released	SIZE: B	DRAWING NO: 50061774	REV: A
		SHEET 1 OF 1	