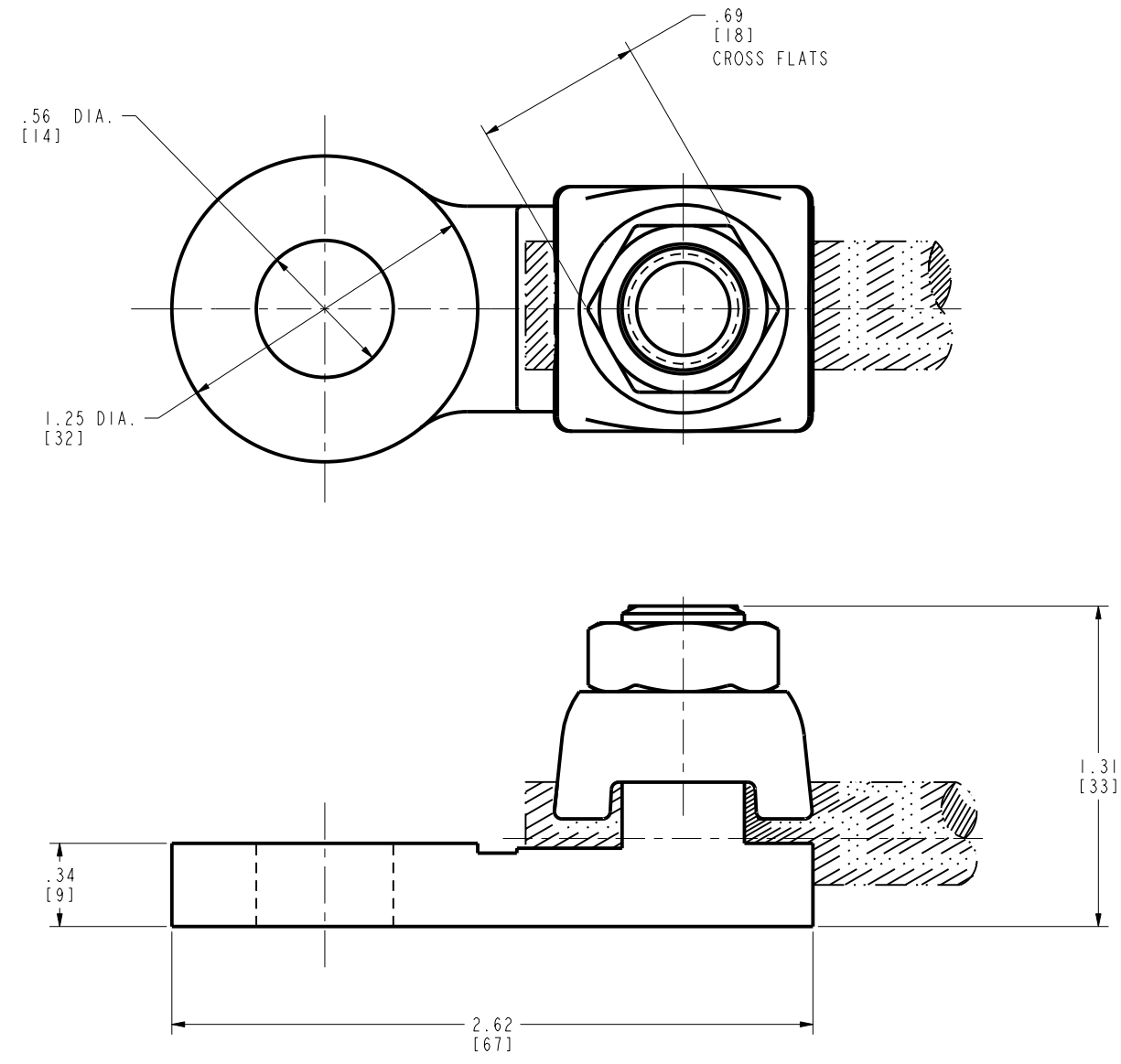


DRAWING NO.
50061899

COPPER NAVY CABLE 3		STUD HOLE SIZE	COPPER COMMERCIAL CABLE 3	TORQUE In/Lb [Nm]
MIN.	MAX.			
N150	N200	1/2	3/0 STR. - 4/0 STR.	250 [28]

REV	DATE	DESCRIPTION	ECO	BY	C'H'K.
A	07/02/2015 00:00:00 AM	CREATE NEW SALES DRAWING	40836	DD	MA



- NOTES:
- MATERIAL: CAST COPPER ALLOY.
 - FINISH: TIN PLATED.
 - 3 ACCOMMODATES: SEE TABLE
 - DIMENSIONS IN BRACKETS [] ARE IN MILLIMETERS ROUNDED OFF TO THE NEAREST MILLIMETER, UNLESS OTHERWISE SPECIFIED AND ARE FOR REFERENCE ONLY.

TO ORDER BURNDY® PRODUCTS CALL
 UNITED STATES
 1-800-346-4175 (LONDONDERRY, NH)
 CANADA:
 1-800-361-6975 (QUEBEC)
 1-800-387-6487 (ALL OTHER PROVINCES)
 FOR PRODUCT INFO: <http://www.burndy.com>

QIKLUG™	
ITEM NO: 27004756	
CAT. NO: QDA28CG1	
DRAWN BY: D DHEENA 07/02/2015	BURNDY
CHECKER: T REYNOLDS 07/16/2015	
DSN APPVL: T REYNOLDS 07/16/2015	
MFG APPVL: J WAWRZYNIAK 07/27/15	
QA APPVL: J HILLMAN 07/20/2015	
MKT APPVL: M BAILLY 07/16/2015	SCALE: 2:1
PROD FAM: --	DRAWING NO
PROJECT #: --	50061899
DOCUMENT TYPE: Sales	REV
REL LEVEL: Released	A
SIZE: D	SHEET 1 OF 1

REV: PE0200