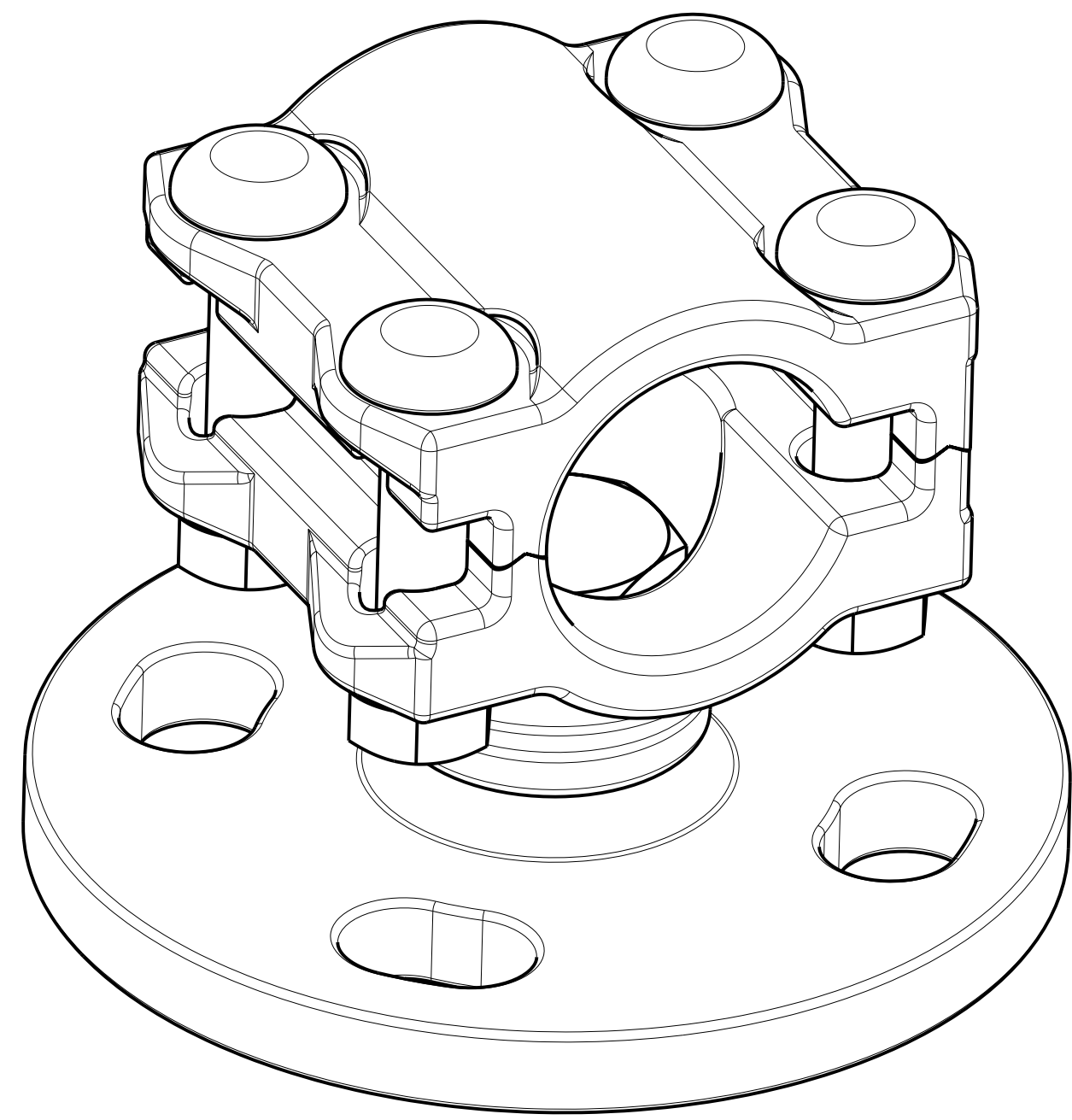
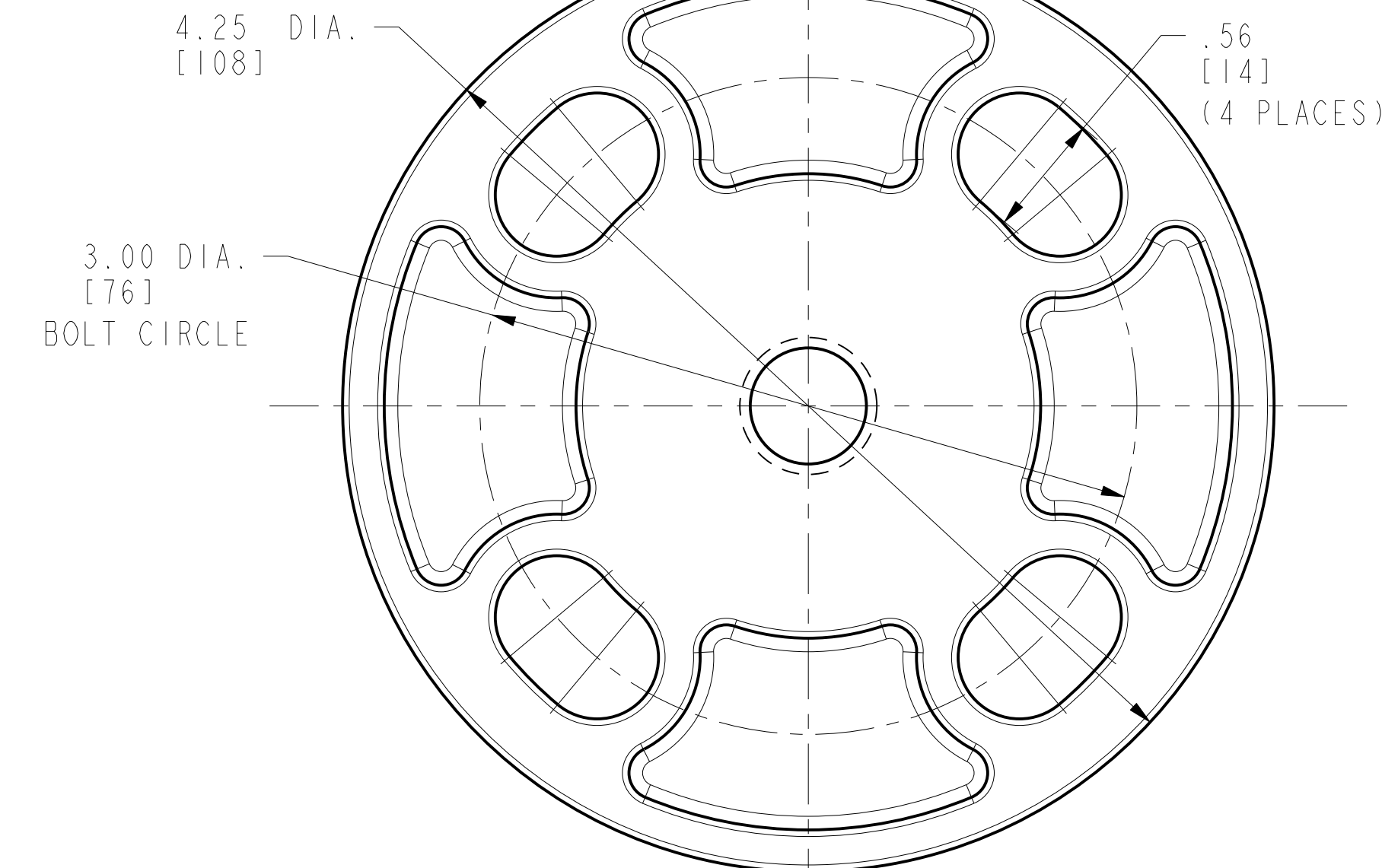
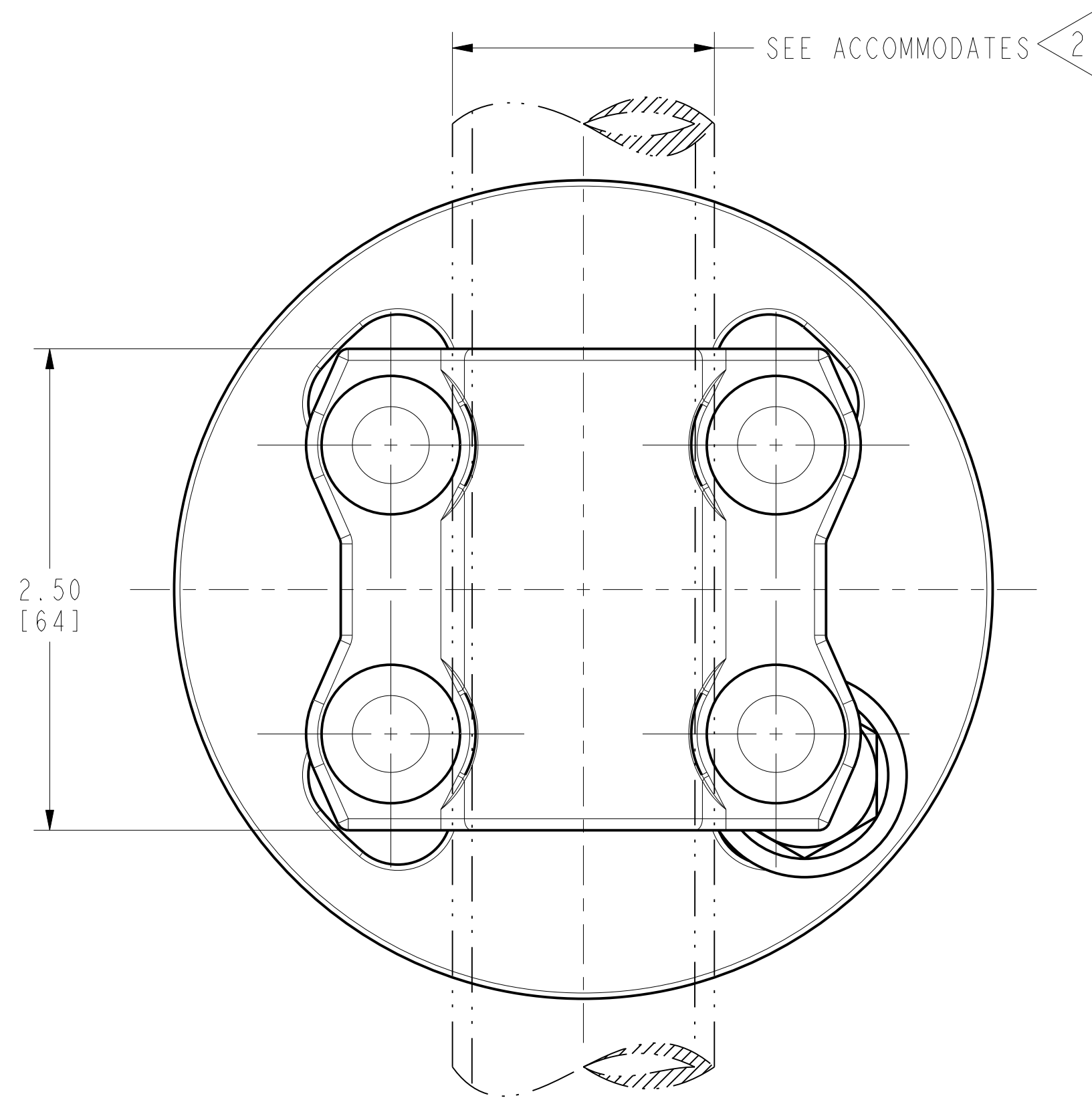


| REV | DATE | DESCRIPTION | ECO | BY | C'H'K. |
|-----|------------------------|------------------|-------|----|--------|
| A | 07/02/2015 00:00:00 AM | DRAWING RELEASED | 40835 | MM | NJS |



3D VIEW

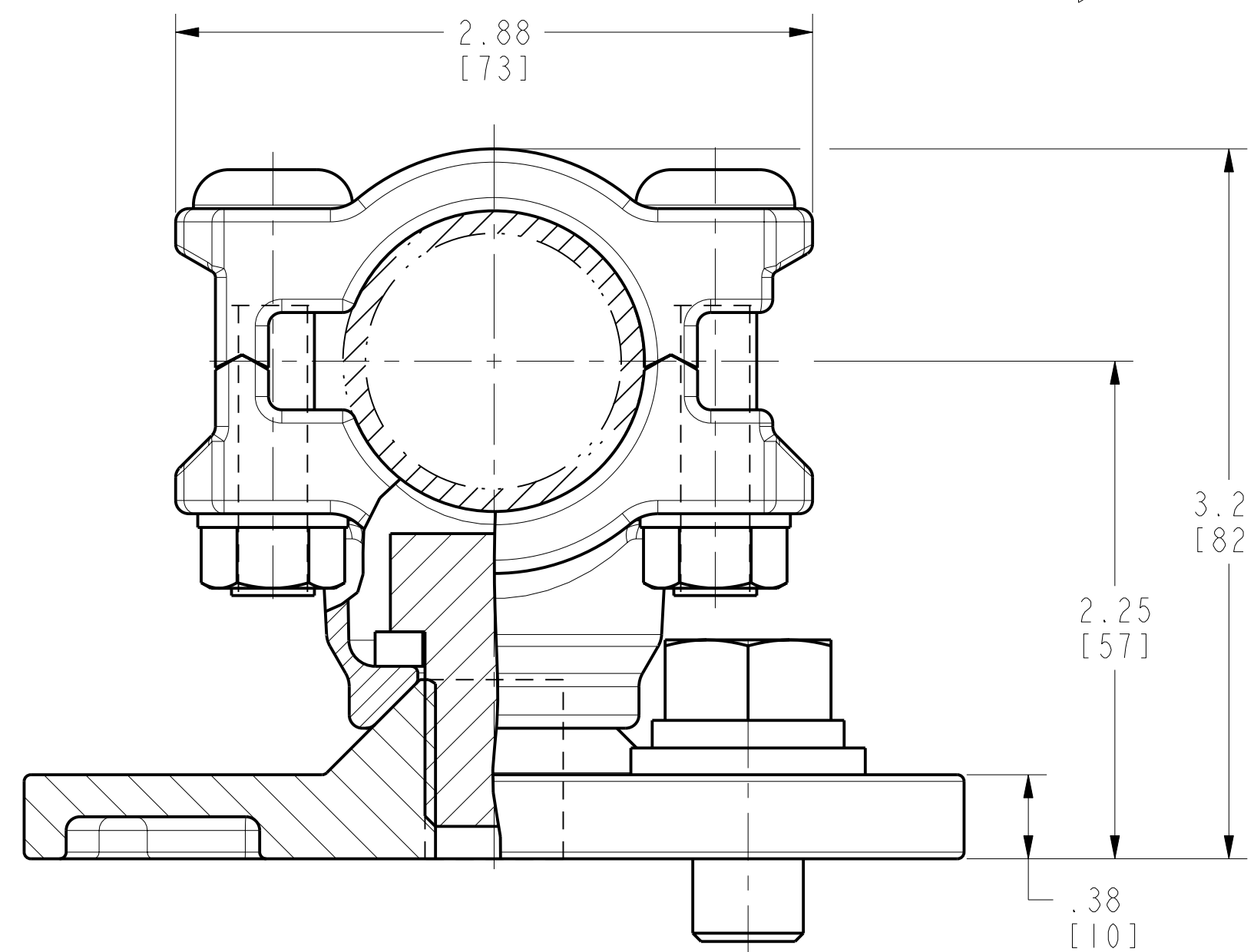


VIEW OF BASE

| MOUNTING HARDWARE | 3 | 6 | 7 |
|--------------------------------|---------------|---------------|---|
| | CAP MOUNTING | BASE MOUNTING | |
| GALVANIZED STEEL HARDWARE KITS | MTG3C4 | MTG3B4 | |
| HEX. HEAD BOLT | 1/2-13 X 1.00 | 1/2-13 X 1.50 | |
| SPLIT LOCK WASHER | 1/2 | 1/2 | |
| FLAT WASHER | 1/2 | 1/2 | |
| HEX. NUT | NONE | 1/2-13 | |
| QTY EACH | 4 | 4 | |

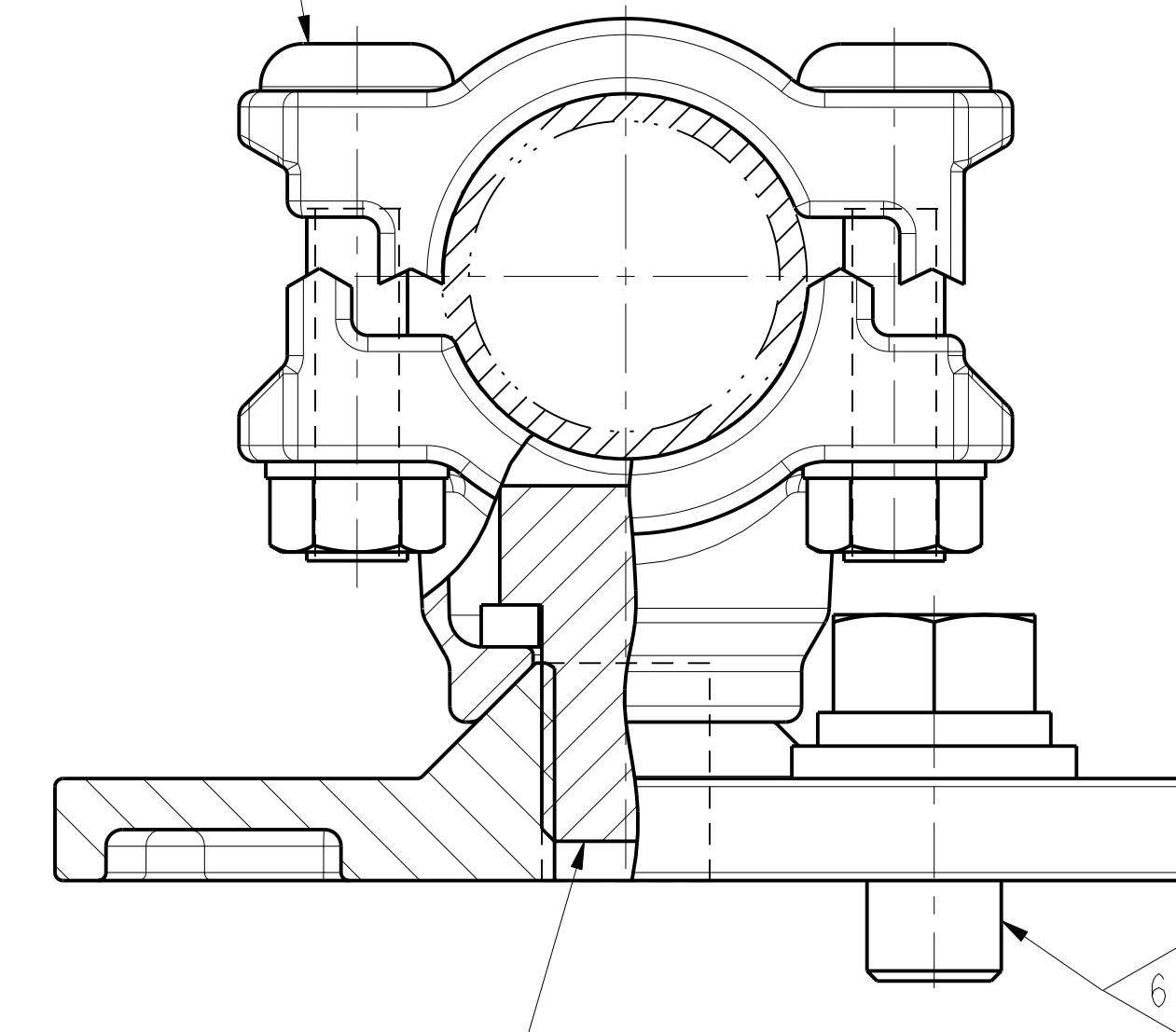
NOTES:

- 1 MATERIAL:
BODY & CAP: CAST COPPER ALLOY
- 2 ACCOMMODATES: 1" IPS (1.315 [33] DIA.)
- 3 NOMINAL BOLT INSTALLATION TORQUE:
3/8" SILICON BRONZE HARDWARE - 240 LB-IN [30 Nm]
5/8" SILICON BRONZE HARDWARE - 660 LB-IN [75 Nm]
1/2" GALVANIZED STEEL HARDWARE - 480 LB-IN [55 Nm]
- 4 DIMENSIONS IN BRACKETS [] DENOTES METRIC UNITS [SI UNITS] AND ARE ROUNDED TO THE NEAREST WHOLE NUMBER. UNLESS OTHERWISE SPECIFIED THESE UNITS SHALL BE USED FOR REFERENCE ONLY.
- 5 A BRONZE BUS SUPPORT CLAMP FOR MOUNTING ON A POST OR PEDESTAL TYPE INSULATOR. HIGHLY EFFECTIVE BY VIRTUE OF FOUR CLAMPING BOLTS AND WIDE GRIPPING SURFACE. ADJUSTMENT OF A SINGLE BOLT PERMITS ROTATION TO ANY ANGLE. IN ADDITION, THE TYPE "UH" IS SO CONSTRUCTED THAT ROTATING THE CAP 180° WILL CONVERT IT INTO A SLIDE TYPE BUS CLAMP. SPRINGS CAN BE SUPPLIED TO SUPPRESS CHATTERING WHEN THE SUPPORT IS USED IN THIS MANNER.
- 6 CAP MOUNTING HARDWARE KIT SUPPLIED AS STANDARD (SEE TABLE).
- 7 SPECIFY BASE MOUNTING HARDWARE, IF REQUIRED, BY ADDING SUFFIX "--B" TO THE CATALOG NUMBER. (SEE TABLE)
EXAMPLE : UH153CG9B
- 8 HEAVY DUTY SINGLE BOLT PERMITS ROTATION TO ANY ANGLE.
- 9 MARKING:
BURNDY
UH153CG9
1 IPS



SLIDE POSITION

3 3/8"-16 SILICON BRONZE OVAL SHANK BOLT, SILICON BRONZE SPLIT LOCK WASHER AND SILICON BRONZE NUT (4 PLACES)



RIGID POSITION

8 3 5/8"-11 HEX. HEAD SILICON BRONZE BOLT AND SILICON BRONZE SPLIT LOCK WASHER.

| | | | |
|---|--|------------------------------|-------------------------------|
| TO ORDER BURNDY® PRODUCTS CALL | | BUS SUPPORT | |
| UNITED STATES 1-800-346-4175 (LONDONDERRY, NH) | | ITEM NO: 27006040 | CAT. NO: UH153CG9 |
| CANADA: 1-800-361-6975 (QUEBEC) 1-800-387-6487 (ALL OTHER PROVINCES) | | DRAWN BY: M MOHAN 07/07/15 | CHECKER: NJ SUDHAKAR 07/07/15 |
| FOR PRODUCT INFO: http://www.burndy.com | | DSN APPVL: R LAVOIE 07/14/15 | MFG APPVL: -- |
| | | GA APPVL: J HILLMAN 07/13/15 | MKT APPVL: S MOIST 07/10/15 |
| | | PROD FAM: SUBSTATION | DRAWING NO: 50062016 |
| | | PROJECT #: -- | SCALE: 3:2 |
| | | DOCUMENT TYPE: Sales | REV: A |
| | | REL LEVEL: Released | SHEET 1 OF 1 |

