

REV	DATE	DESCRIPTION	ECO	BY	C'H.K.
A	08/11/2015	NEW DRAWING CREATED	41221	PB	DD

FEATURES:

ACCOMMODATES BOTH FLEX AND CODE CONDUCTORS

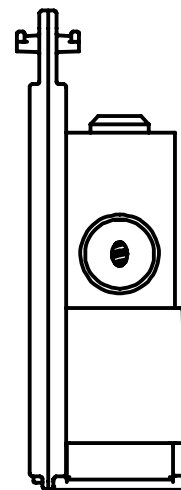
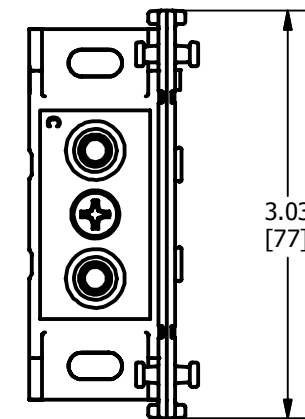
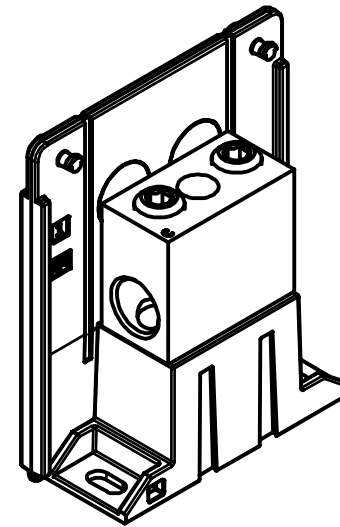
cULus LISTED TO UL1953 (FILE# E74460)

AL9CU RATED

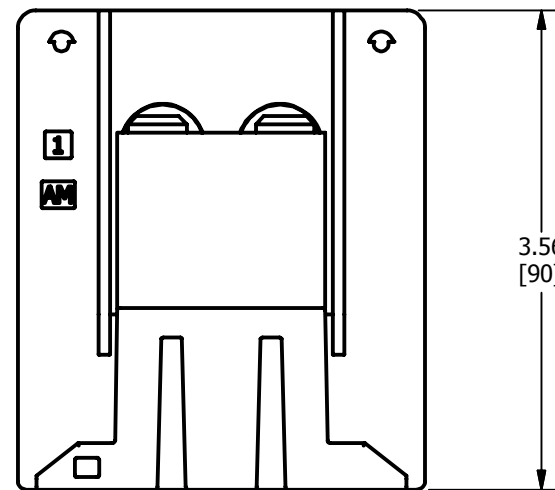
OPTIONAL TOP COVER FOR OPEN STYLE (PART BDBSCSCOVER) FOR ADDED PROTECTION

100kA SCCR RATING WITH CORRECT FUSING

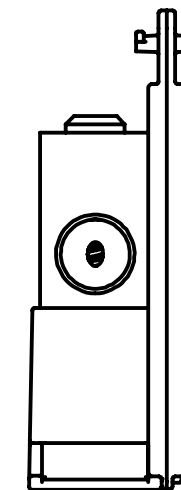
CONTACT CUSTOMER SERVICE FOR ALTERNATE CONFIGURATIONS AT TELEPHONE NUMBER 1 800 346-4175



RUN SIDE



FINGER SAFE STYLE



TAP SIDE

BDB S CS 1 C A

- ADDER POLE
- TAP CONFIGURATION IDENTIFIER (SEE TABLE)
- RUN CONFIGURATION IDENTIFIER (SEE TABLE)
- CONFIGURABLE SERIES
- SMALL SIZE
- BURNDY DISTRIBUTION BLOCK

NOTES:

- DIMENSIONS IN BRACKETS [] ARE IN MILLIMETERS ROUNDED OFF TO THE NEAREST MILLIMETER, UNLESS OTHERWISE SPECIFIED AND ARE FOR REFERENCE ONLY.
- MATERIALS: BASE AND POLE SEPERATING SIDES - NYLON 6/6
BLOCK AND RETENTION SCREWS - TIN PLATED ALUMINUM
FINGER SAFE COVERS - POLYCARBONATE
BLOCK MOUNTING HARDWARE - STAINLESS STEEL

TO ORDER BURNDY® PRODUCTS CALL		SMALL ADDER													
UNITED STATES 1-800-346-4175 (LONDONDERRY, NH)		ITEM NO: SEE NOTE													
CANADA: 1-800-361-6975 (QUEBEC) 1-800-387-6487 (ALL OTHER PROVINCES)		CAT. NO: SEE NOTE													
FOR PRODUCT INFO: http://www.burndy.com		<table border="1"> <tr> <td>DRAWN BY: PARTHIBAN B</td> <td>8/11/2015</td> </tr> <tr> <td>CHECKER: T REYNOLDS</td> <td>9/11/2015</td> </tr> <tr> <td>DSN APRVL: T REYNOLDS</td> <td>9/11/2015</td> </tr> <tr> <td>MFG APRVL: M STEVENS</td> <td>9/15/2015</td> </tr> <tr> <td>QA APRVL: C KOWALCZYK</td> <td>9/17/2015</td> </tr> <tr> <td>MKT APRVL: M BAILLY</td> <td>9/15/2015</td> </tr> </table>		DRAWN BY: PARTHIBAN B	8/11/2015	CHECKER: T REYNOLDS	9/11/2015	DSN APRVL: T REYNOLDS	9/11/2015	MFG APRVL: M STEVENS	9/15/2015	QA APRVL: C KOWALCZYK	9/17/2015	MKT APRVL: M BAILLY	9/15/2015
DRAWN BY: PARTHIBAN B	8/11/2015														
CHECKER: T REYNOLDS	9/11/2015														
DSN APRVL: T REYNOLDS	9/11/2015														
MFG APRVL: M STEVENS	9/15/2015														
QA APRVL: C KOWALCZYK	9/17/2015														
MKT APRVL: M BAILLY	9/15/2015														
PROJ #: --		SIZE: B	DRAWING NO: 50063031												
DOCUMENT TYPE: SALES		REV: A	SHEET 1 OF 3												
REL LEVEL: Released															


BURNDY SMALL DISTRIBUTION BLOCKS

BLOCKS	BLOCKS								AMPACITY
	RUN				TAP				
	CATALOG NUMBER	HOLE LAYOUT	RANGE	TORQUE in-lbs	HOLE LAYOUT	RANGE	TORQUE in-lbs		
BDBSCS1CA	O (1)	#14 awg - 2/0 B, C, H, I, K, DLO	#14-#6	80	OO (4)	#14 awg - #4 awg B, C, H, I, K, DLO	#12-#8 AL	10	175
			#4-2/0	120			#14-#8 CU	15	
							#6-#4	30	
BDBSCS1PA	O (1)	#14 awg - 2/0 B, C, H, I, K, DLO	#14-#6	80	O (1)	#14 awg - 2/0 B, C, H, I, K, DLO	#14-#6	80	175
			#4-2/0	120			#4-2/0	120	

RUN HOLES		
DIGIT	HOLE LAYOUT	RANGE
1	O	#14 awg - 2/0
2	OO	#14 awg - 2/0
3	O	#6 awg - 350 kcmil
4	OO	#6 awg - 350 kcmil
5	O	#4 awg - 500 kcmil
6	OO	#4 awg - 500 kcmil


RUN HOLES		
LETTER	HOLE LAYOUT	RANGE
A	OOOOO O	#14 awg - #4 awg
B	OOO OOO	
C	OO OO	
D	OO	
E	O	
F	OOO OOO	#14 awg - #2 awg
G	OO OO	
H	OO	
J	O	#14 awg - 2/0
K	OOO OOO	
M	OO OO	
N	OO	#6 awg - 4/0
P	O	
R	OO OO	#6 awg - 350 kcmil
T	OO	
U	O	#4 awg - 500 kcmil
V	OO	
W	O	750 kcmil
X	O	

REV	DATE	DESCRIPTION	ECO	BY	C'H'K.
A	08/11/2015	NEW DRAWING CREATED	41221	PB	DD

TO ORDER BURNDY® PRODUCTS CALL UNITED STATES 1-800-346-4175 (LONDONDERRY, NH) CANADA: 1-800-361-6975 (QUEBEC) 1-800-387-6487 (ALL OTHER PROVINCES) FOR PRODUCT INFO: http://www.burndy.com	SMALL ADDER		
	ITEM NO: SEE NOTE		
	CAT. NO: SEE NOTE		
	DRAWN BY: PARTHIBAN B	8/11/2015	
	CHECKER: T REYNOLDS	9/11/2015	
	DSN APRVL: T REYNOLDS	9/11/2015	
	MFG APRVL: M STEVENS	9/15/2015	
	QA APRVL: C KOWALCZYK	9/17/2015	
	MKT APRVL: M BAILLY	9/15/2015	
	PROD FAM: --	DRAWING NO	REV
PROJECT #: --	SIZE	50063031	
DOCUMENT TYPE: SALES	B	A	
REL LEVEL: Released		SHEET 2 OF 3	

SCCR FUSE VALUES							
OPEN STYLE	J	T	RK1	RK5	G	CC	L
BDBSCS1PA	200	200	100	30	60	30	200
BDBSCS1CA	200	200	100	30	60	30	200

REV	DATE	DESCRIPTION	ECO	BY	C'HK.
A	08/11/2015	NEW DRAWING CREATED	41221	PB	DD

<p>TO ORDER BURNDY® PRODUCTS CALL</p> <p>UNITED STATES 1-800-346-4175 (LONDONDERRY, NH)</p> <p>CANADA: 1-800-361-6975 (QUEBEC) 1-800-387-6487 (ALL OTHER PROVINCES)</p> <p>FOR PRODUCT INFO: http://www.burndy.com</p>	SMALL ADDER		
	ITEM NO: SEE NOTE		
	CAT. NO: SEE NOTE		
	DRAWN BY: PARTHIBAN B	8/11/2015	
	CHECKER: T REYNOLDS	9/11/2015	
	DSN APRVL: T REYNOLDS	9/11/2015	
	MFG APRVL: M STEVENS	9/15/2015	
	QA APRVL: C KOWALCZYK	9/17/2015	
	MKT APRVL: M BAILLY	9/15/2015	
	PROD FAM: --	DRAWING NO	REV
PROJECT #: --	SIZE	50063031	
DOCUMENT TYPE: SALES	B	A	
REL LEVEL: Released	SHEET 3 OF 3		