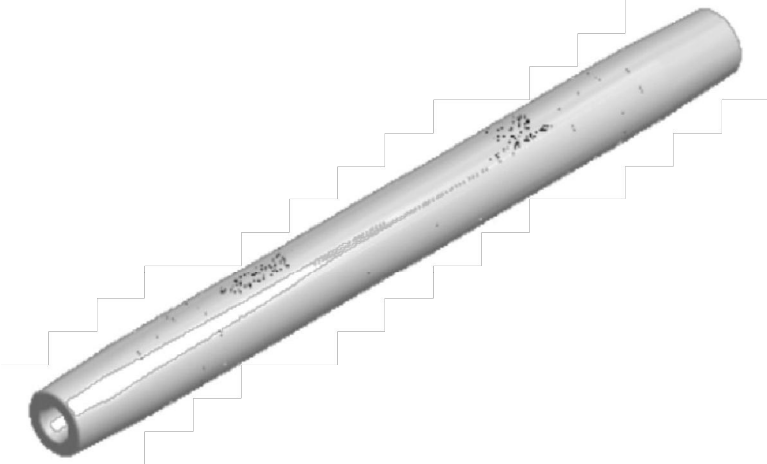
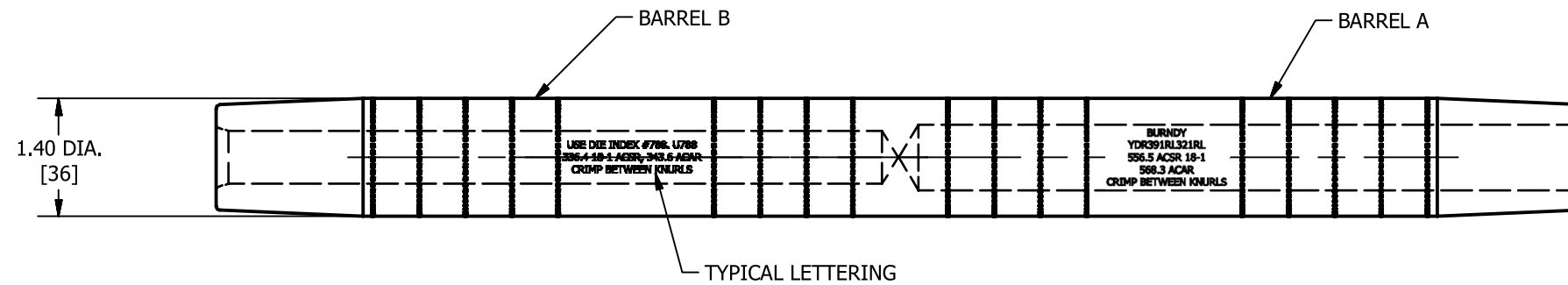
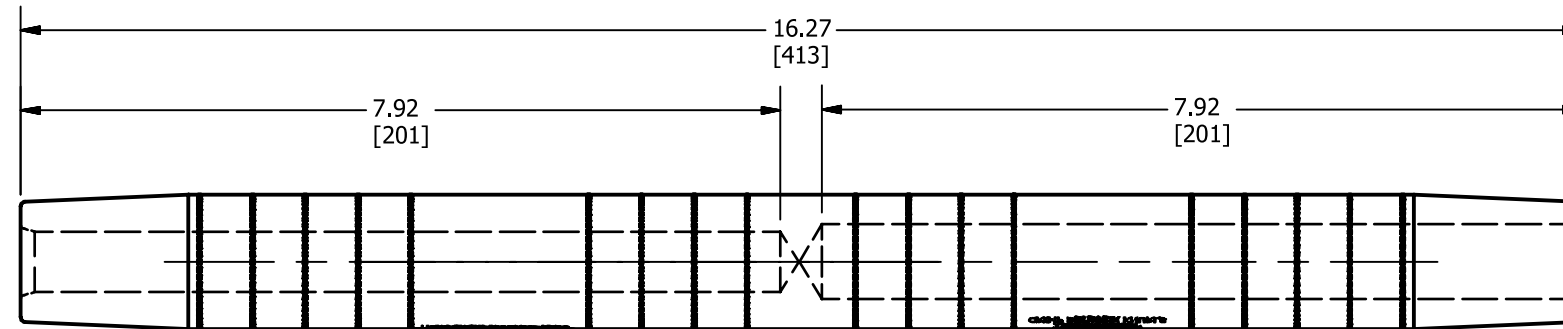


REV	DATE	DESCRIPTION	ECO	BY	C'H'K.
C	10/19/2015	UPDATED AS PER MARKUP.	41825	MS	MB



NOTES:

1. MATERIAL : ALUMINIUM.
2. ACCOMMODATES:
BARREL 'A': 556.5 18-1 ACSR, 568.3 ACAR
BARREL 'B': 336.4 18-1 ACSR, 343.6 ACSR.
3. DIE INDEX 318/261, USE U261 WITH PAT750LI FOR FAST INSTALLATION
4. ALL ALUMINUM OXIDES ARE REMOVED AT FACTORY AND ALL SURFACES ARE SEALED TO LIMIT FURTHER OXIDE GROWTH.
5. BOTH BARRELS PREFILLED WITH PENETROX™ OXIDE INHIBITOR AND CAPPED.
6. DIMENSIONS IN BRACKETS [] ARE IN MILLIMETERS ROUNDED OFF TO THE NEAREST MILLIMETER, UNLESS OTHERWISE SPECIFIED AND ARE FOR REFERENCE ONLY.
7. APPROXIMATE WEIGHT: 1.77 LBS

TO ORDER BURNDY® PRODUCTS CALL		HYREDUCER™	
UNITED STATES 1-800-346-4175 (LONDONDERRY, NH)		ITEM NO: 50063842	
CANADA: 1-800-361-6975 (QUEBEC) 1-800-387-6487 (ALL OTHER PROVINCES)		CAT. NO: YDR391RL321RL	
FOR PRODUCT INFO: http://www.burndy.com		DRAWN BY: RAJESWARAN 10/9/2015	
		CHECKER: MANIKANDAN.B 9/10/2015	
		DSN APRVL: Z.WHYTEY 8/9/2015	
		MFG APRVL: --	
		QA APRVL: W.TIMOTHY 8/9/2015	
		MKT APRVL: H.JEFFERSON 8/9/2015	
		PROD FAM: --	
		DRAWING NO	
		50063843	
		REV	
		C	
		SHEET 1 OF 1	