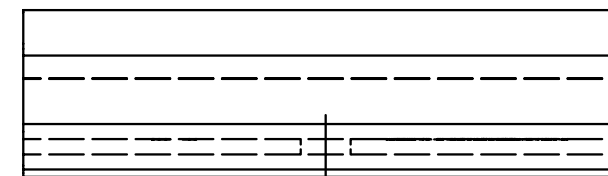
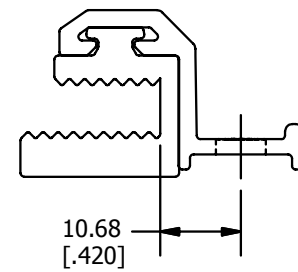
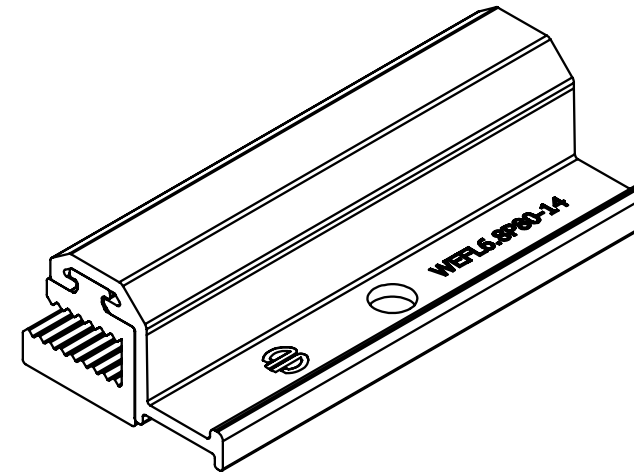
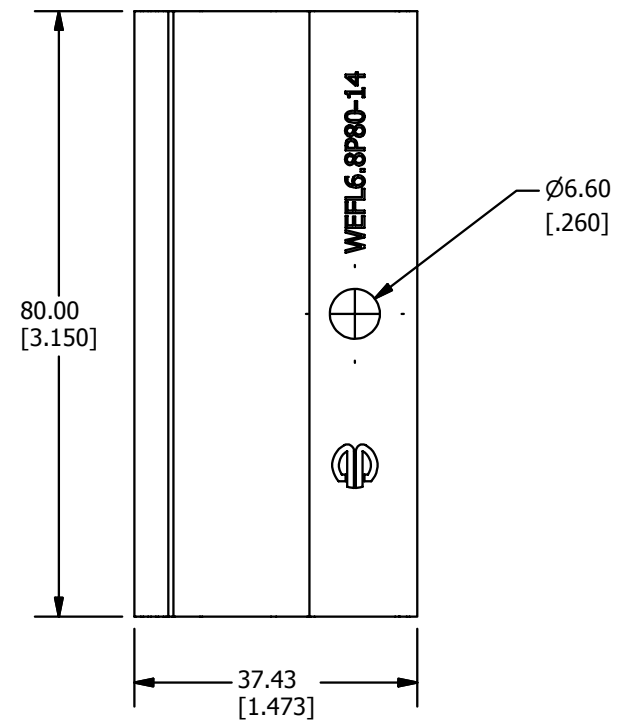


REV	DATE	DESCRIPTION	ECO	BY	C'H'K.
A	05/10/2016	RELEASE DRAWINGS FOR FRAMELESS END CLAMP	43795	EM	EM



**NOTES:**

- DIMENSIONS IN BRACKETS [ ] ARE IN INCHES ROUNDED OFF TO THE NEAREST TENTH, UNLESS OTHERWISE SPECIFIED AND ARE FOR REFERENCE ONLY.
- DESIGNED TO ACCOMODATE FRAMELESS MODULES BETWEEN 6-7mm THICK.

TO ORDER BURNDY PRODUCTS CALL		THIN FILM END CLAMP	
UNITED STATES		ITEM NO: 50063575	
1-800-346-4175 (LONDONDERRY, NH)		CAT. NO: WEFL6.8P80-14	
CANADA:		DRAWN BY: E.MARTIN 5/10/2016	
1-800-361-6975 (QUEBEC)		CHECKER: E.MARTIN 5/9/2016	
1-800-387-6487 (ALL OTHER PROVINCES)		DSN APRVL: E.MARTIN 5/9/2016	
FOR PRODUCT INFO: <a href="http://www.burndy.com">http://www.burndy.com</a>		MFG APRVL: [blank]	
		QA APRVL: C.KOWALCZYK 5/6/2016	
		MKT APRVL: S.PARSONS 5/6/2016	
PROD FAM: WILEY	DRAWING NO	REV	
PROJECT #:	SIZE	50064937	A
DOCUMENT TYPE: SALES	B	SHEET 1 OF 1	
REL LEVEL: Released			