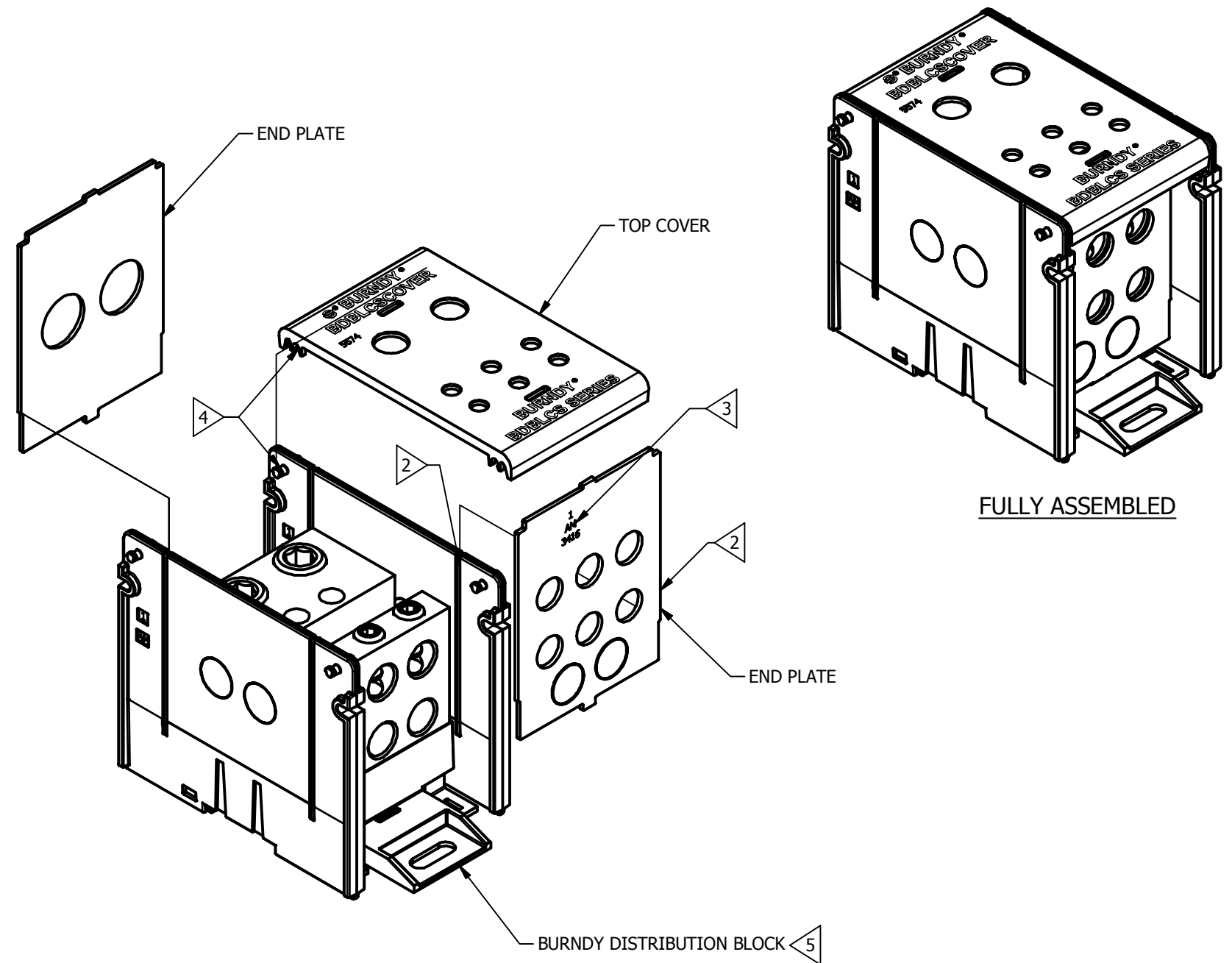


COVER KIT	KITS NEEDED	1 POLE	KITS NEEDED	2 POLE	KITS NEEDED	3 POLE	KITS NEEDED	ADDER
BDBLCS3A1FSKIT	1	BDBLCS3A1	2	BDBLCS3A2	3	BDBLCS3A3	1	BDBLCS3AA
BDBLCS3K1FSKIT	1	BDBLCS3K1	2	BDBLCS3K2	3	BDBLCS3K3	1	BDBLCS3KA
BDBLCS4K1FSKIT	1	BDBLCS4K1	2	BDBLCS4K2	3	BDBLCS4K3	1	BDBLCS4KA
BDBLCS4T1FSKIT	1	BDBLCS4T1	2	BDBLCS4T2	3	BDBLCS4T3	1	BDBLCS4TA
BDBLCS5K1FSKIT	1	BDBLCS5K1	2	BDBLCS5K2	3	BDBLCS5K3	1	BDBLCS5KA
BDBLCS5W1FSKIT	1	BDBLCS5W1	2	BDBLCS5W2	3	BDBLCS5W3	1	BDBLCS5WA
BDBLCS6A1FSKIT	1	BDBLCS6A1	2	BDBLCS6A2	3	BDBLCS6A3	1	BDBLCS6AA
BDBLCS6K1FSKIT	1	BDBLCS6K1	2	BDBLCS6K2	3	BDBLCS6K3	1	BDBLCS6KA
BDBLCS6R1FSKIT	1	BDBLCS6R1	2	BDBLCS6R2	3	BDBLCS6R3	1	BDBLCS6RA
BDBLCS6V1FSKIT	1	BDBLCS6V1	2	BDBLCS6V2	3	BDBLCS6V3	1	BDBLCS6VA
BDBMCS1F1FSKIT	1	BDBMCS1F1	2	BDBMCS1F2	3	BDBMCS1F3	1	BDBMCS1FA
BDBMCS2F1FSKIT	1	BDBMCS2F1	2	BDBMCS2F2	3	BDBMCS2F3	1	BDBMCS2FA
BDBMCS2N1FSKIT	1	BDBMCS2N1	2	BDBMCS2N2	3	BDBMCS2N3	1	BDBMCS2NA
BDBMCS3U1FSKIT	1	BDBMCS3U1	2	BDBMCS3U2	3	BDBMCS3U3	1	BDBMCS3UA
BDBMCS5F1FSKIT	1	BDBMCS5F1	2	BDBMCS5F2	3	BDBMCS5F3	1	BDBMCS5FA
BDBMCS5M1FSKIT	1	BDBMCS5M1	2	BDBMCS5M2	3	BDBMCS5M3	1	BDBMCS5MA
BDBSCS1C1FSKIT	1	BDBSCS1C1	2	BDBSCS1C2	3	BDBSCS1C3	1	BDBSCS1CA
BDBSCS1P1FSKIT	1	BDBSCS1P1	2	BDBSCS1P2	3	BDBSCS1P3	1	BDBSCS1PA

REV	DATE	DESCRIPTION	ECO	BY	C'H'K.
A	12/7/2015	DRAWING RELEASED	42330	DD	NJS



**NOTES:**

- DIMENSIONS IN BRACKETS [ ] ARE IN MILLIMETERS ROUNDED OFF TO THE NEAREST MILLIMETER, UNLESS OTHERWISE SPECIFIED AND ARE FOR REFERENCE ONLY.
- END PLATES SLIP INTO SLOTS ON DISTRIBUTION BLOCK SIDE BARRIERS.
- RAISED LETTERING ON END PLATES FACES OUT FROM DISTRIBUTION BLOCK WHEN ASSEMBLED.
- SNAP THE TOP COVER CLIPS ONTO THE SIDE BARRIER PINS.
- SINGLE POLE DISTRIBUTION BLOCK SHOWN. FINGERSAFE COVER KITS CAN BE APPLIED TO MULTIPLE POLE DISTRIBUTION BLOCKS OR TO ASSEMBLED ADDER POLES.
- KITS CONSIST OF ONE (1) TOP COVER AND TWO (2) END PLATES. A SEPERATE KIT WOULD BE NEEDED FOR EACH POLE THAT IS BEING SHIELDED.

TO ORDER BURNDY® PRODUCTS CALL		FINGER SAFE COVER KITS	
1-800-346-4175 (LONDONDERRY, NH)		ITEM NO: SEE TABLE	
CANADA:		CAT. NO: SEE TABLE	
1-800-361-6975 (QUEBEC)		DRAWN BY: treynolds 10/28/2015	
1-800-387-6487 (ALL OTHER PROVINCES)		CHECKER: T REYNOLDS 12/8/2015	
FOR PRODUCT INFO: <a href="http://www.burndy.com">http://www.burndy.com</a>		DSN APRVL: T REYNOLDS 12/8/2015	
		MFG APRVL: M STEVENS 12/8/2015	
		QA APRVL: C KOWALCZYK 12/9/2015	
		MKT APRVL: M BAILLY 12/14/2015	
		PROD FAM: --	
		DRAWING NO	
		50065165	
		REV	
		A	
		SHEET 1 OF 1	