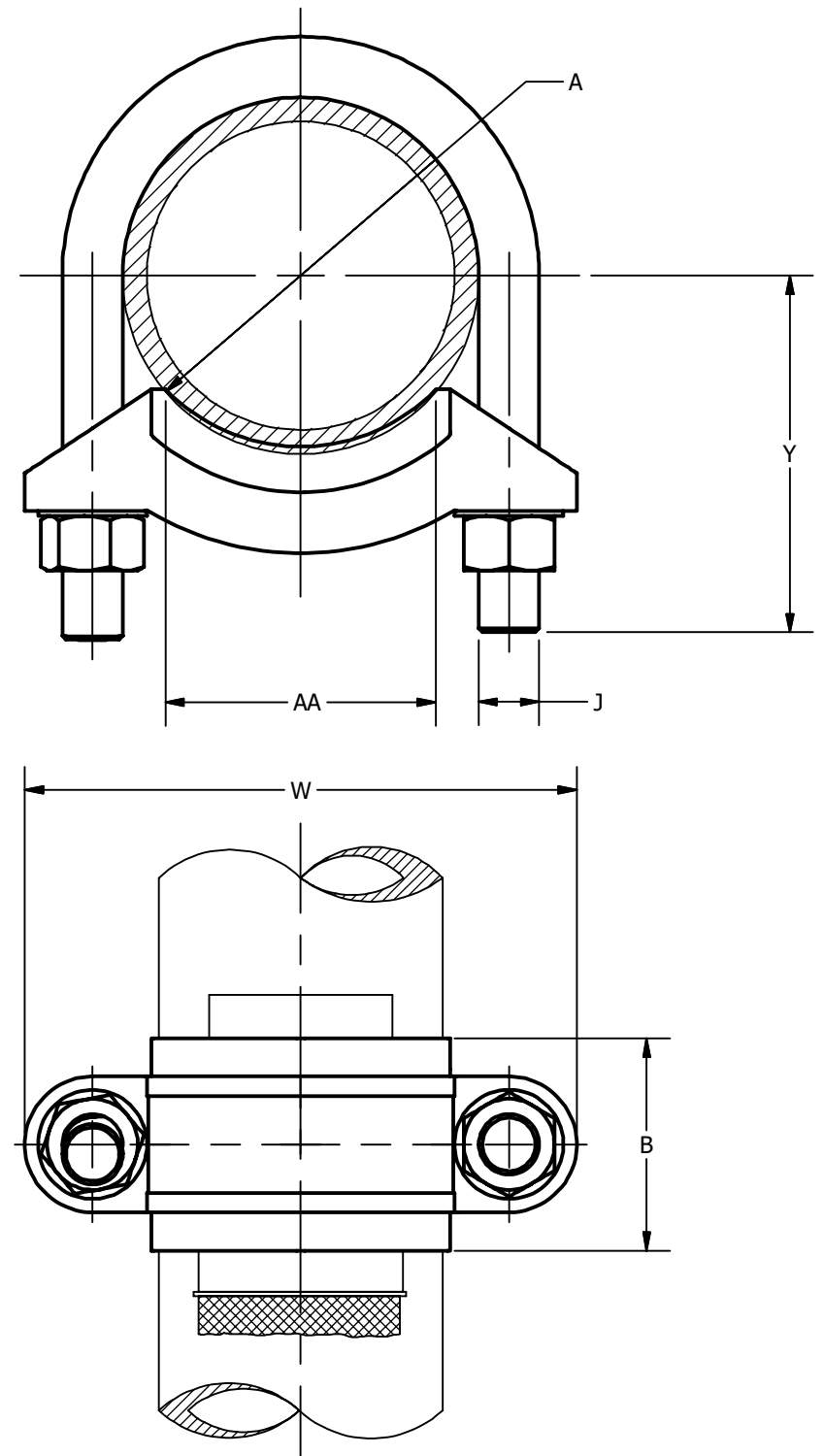


IPS PIPE ACCOMMODATES			CATALOG NUMBER	AA	B	J	W	Y	"U" BOLT	TORQUE Lb*in [N*m]
NOMINAL SIZE (in)	ACTUAL SIZE									
	(in)	(mm)								
2"	2.375	[58]	GG1815TN	1.50 [38.1]	1.50 [38.1]	1/2" [13]	3.69 [94]	2.56 [65]	257	480 [54.1]
2 1/2"	2.875	[70]	GG192TN	2.00 [50.8]	1.75 [44.5]	1/2" [13]	4.56 [116]	3 [76]	232	480 [54.1]
2 1/2"	2.875	[70]	GG1925TN	2.50 [70.4]	1.88 [47.8]	1/2" [13]	4.56 [116]	3 [76]	232	480 [54.1]
4"	4.500	[110]	GG223TN	3.00 [76.2]	2.50 [63.5]	1/2" [13]	6.19 [157]	3.63 [86]	236	480 [54.1]

REV	DATE	DESCRIPTION	ECO	BY	C'H.K.
B	04/17/2018	FOCUS FPN1804055	48916	BK	VS



**NOTES:**

1. MATERIAL: TIN PLATED CAST COPPER ALLOY, DURIUM #6 (U-BOLT, HEX NUTS & S.P.L.W.).
2. DIMENSIONS IN BRACKETS [ ] ARE IN MILLIMETERS ROUNDED OFF TO THE NEAREST MILLIMETER, UNLESS OTHERWISE SPECIFIED AND ARE FOR REFERENCE ONLY.

TO ORDER BURNDY® PRODUCTS CALL		GROUND CLAMP	
UNITED STATES 1-800-346-4175 (LONDONDERRY, NH)		ITEM NO: N/A	
CANADA: 1-800-361-6975 (QUEBEC) 1-800-387-6487 (ALL OTHER PROVINCES)		CAT. NO: GG--TN	
FOR PRODUCT INFO: <a href="http://www.burndy.com">http://www.burndy.com</a>		DRAWN BY: ARAVIND SWAMY 11/30/2015	
		CHECKER: MANIKANDAN B 11/30/2015	
		DSN APRVL: L.TROMBLEY 04/17/2018	
		MFG APRVL: --	
		QA APRVL: J.HILLMAN 04/26/2018	
		MKT APRVL: --	
		PROD FAM: --	
		DRAWING NO	
		50066215	
		REV	
		B	
		SHEET 1 OF 1	