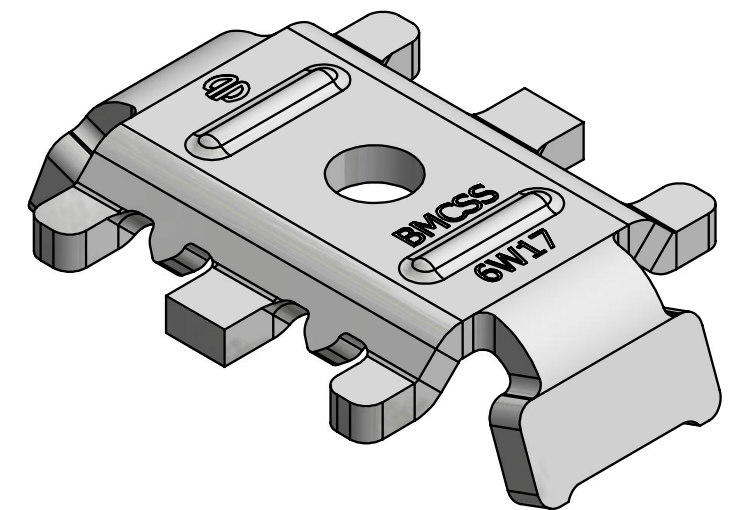
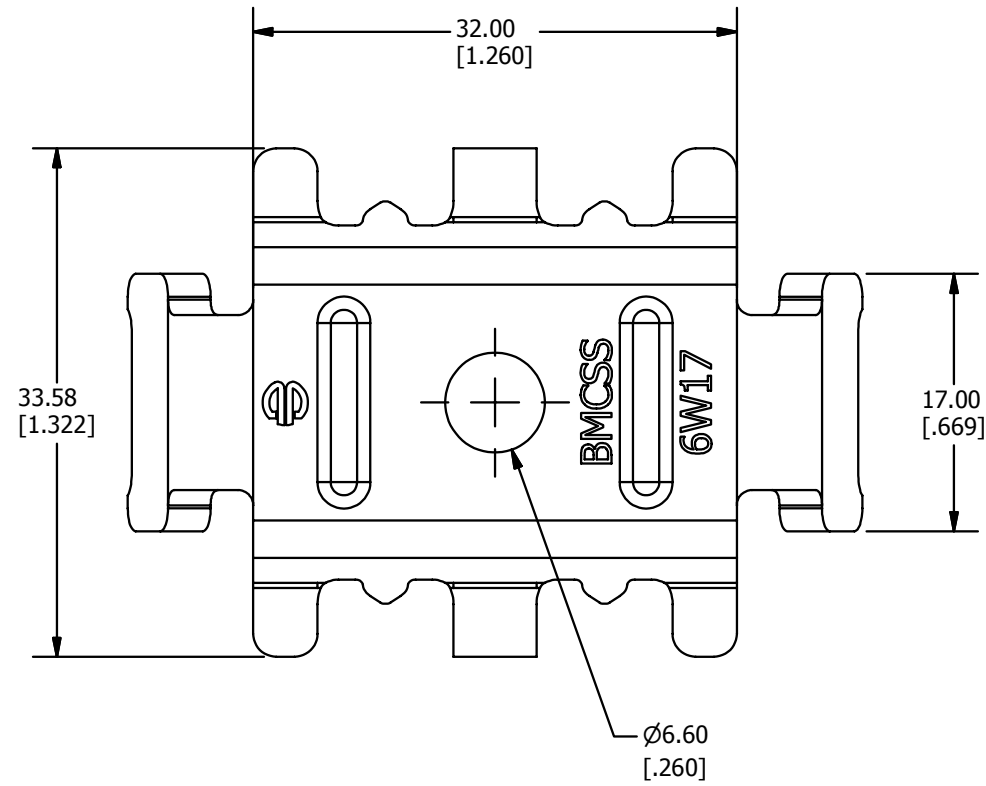


REV	DATE	DESCRIPTION	ECO	BY	C'H'K.
C	02/19/2017	UPDATE BMCSS CLAMPS FOR ESAIER PRODUCTION	45975	EM	EM



3D VIEW

NOTES:

1. DIMENSIONS IN BRACKETS [] ARE IN INCHES ROUNDED OFF TO THE NEAREST TENTH, UNLESS OTHERWISE SPECIFIED AND ARE FOR REFERENCE ONLY.

TO ORDER BURNDY PRODUCTS CALL UNITED STATES 1-800-346-4175 (LONDONDERRY, NH) CANADA: 1-800-361-6975 (QUEBEC) 1-800-387-6487 (ALL OTHER PROVINCES) FOR PRODUCT INFO: http://www.burndy.com		STAINLESS STEEL MID CLAMP	
		ITEM NO: 50066619	
		CAT. NO: BMCSS6W17	
		DRAWN BY: E.MARTIN	2/9/2017
		CHECKER: E.MARTIN	2/16/2017
		DSN APRVL: E.MARTIN	2/16/2017
		PUR APRVL: J VERRANAULT	2/16/2017
		QA APRVL: B POST	2/16/2017
		MKT APRVL: S PARSONS	3/1/2017
PROD FAM: WILEY	DRAWING NO	REV	
PROJECT #:	SIZE	50066621	C
DOCUMENT TYPE: SALES	B	SHEET 1 OF 1	
REL LEVEL: Released			

