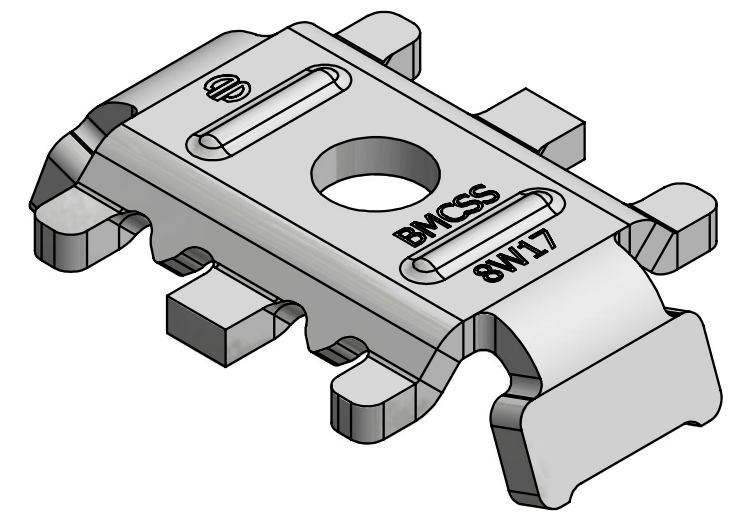
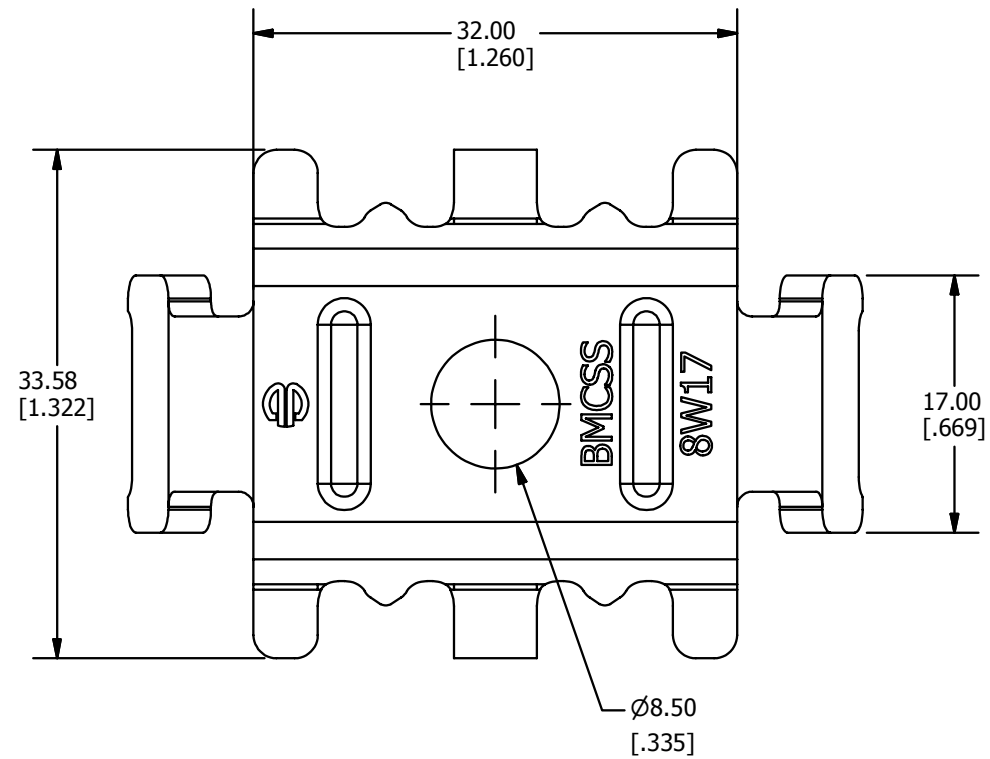


| REV | DATE | DESCRIPTION | ECO | BY | C'H'K. |
|-----|------------|---|-------|----|--------|
| C | 02/09/2017 | UPDATE BMCSS CLAMPS FOR ESAIER PRODUCTION | 45975 | EM | EM |



3D VIEW

NOTES:

1. DIMENSIONS IN BRACKETS [] ARE IN INCHES ROUNDED OFF TO THE NEAREST TENTH, UNLESS OTHERWISE SPECIFIED AND ARE FOR REFERENCE ONLY.

| | | | | | | | | | | | | | | | |
|--|--------------|--|------------|--------------------|------------|-------------------|-----------|----------------------|-----------|-------------------------|---------------------|------------------|-----------|----------------------|----------|
| TO ORDER BURNDY PRODUCTS CALL UNITED STATES 1-800-346-4175 (LONDONDERRY, NH) CANADA: 1-800-361-6975 (QUEBEC) 1-800-387-6487 (ALL OTHER PROVINCES) FOR PRODUCT INFO: http://www.burndy.com | | STAINLESS STEEL MID CLAMP | | | | | | | | | | | | | |
| | | ITEM NO: 50066622 | | | | | | | | | | | | | |
| CAT. NO: BMCSS8W17 | | <table border="1"> <tr> <td>DRAWN BY: E.MARTIN</td> <td>2/9/2017</td> </tr> <tr> <td>CHECKER: E.MARTIN</td> <td>2/16/2017</td> </tr> <tr> <td>DSN APRVL: E.MARTIN</td> <td>2/16/2017</td> </tr> <tr> <td>PUR APRVL: J VERRANAULT</td> <td>2/16/2017</td> </tr> <tr> <td>QA APRVL: B POST</td> <td>2/16/2017</td> </tr> <tr> <td>MKT APRVL: S PARSONS</td> <td>3/1/2017</td> </tr> </table> | | DRAWN BY: E.MARTIN | 2/9/2017 | CHECKER: E.MARTIN | 2/16/2017 | DSN APRVL: E.MARTIN | 2/16/2017 | PUR APRVL: J VERRANAULT | 2/16/2017 | QA APRVL: B POST | 2/16/2017 | MKT APRVL: S PARSONS | 3/1/2017 |
| DRAWN BY: E.MARTIN | 2/9/2017 | | | | | | | | | | | | | | |
| CHECKER: E.MARTIN | 2/16/2017 | | | | | | | | | | | | | | |
| DSN APRVL: E.MARTIN | 2/16/2017 | | | | | | | | | | | | | | |
| PUR APRVL: J VERRANAULT | 2/16/2017 | | | | | | | | | | | | | | |
| QA APRVL: B POST | 2/16/2017 | | | | | | | | | | | | | | |
| MKT APRVL: S PARSONS | 3/1/2017 | | | | | | | | | | | | | | |
| <table border="1"> <tr> <td>PROD FAM: WILEY</td> <td>DRAWING NO</td> <td>REV</td> </tr> <tr> <td>PROJECT #:</td> <td>SIZE</td> <td>50066624</td> </tr> <tr> <td>DOCUMENT TYPE: SALES</td> <td>B</td> <td>C</td> </tr> <tr> <td>REL LEVEL: Released</td> <td colspan="2">SHEET 1 OF 1</td> </tr> </table> | | PROD FAM: WILEY | DRAWING NO | REV | PROJECT #: | SIZE | 50066624 | DOCUMENT TYPE: SALES | B | C | REL LEVEL: Released | SHEET 1 OF 1 | | | |
| PROD FAM: WILEY | DRAWING NO | REV | | | | | | | | | | | | | |
| PROJECT #: | SIZE | 50066624 | | | | | | | | | | | | | |
| DOCUMENT TYPE: SALES | B | C | | | | | | | | | | | | | |
| REL LEVEL: Released | SHEET 1 OF 1 | | | | | | | | | | | | | | |