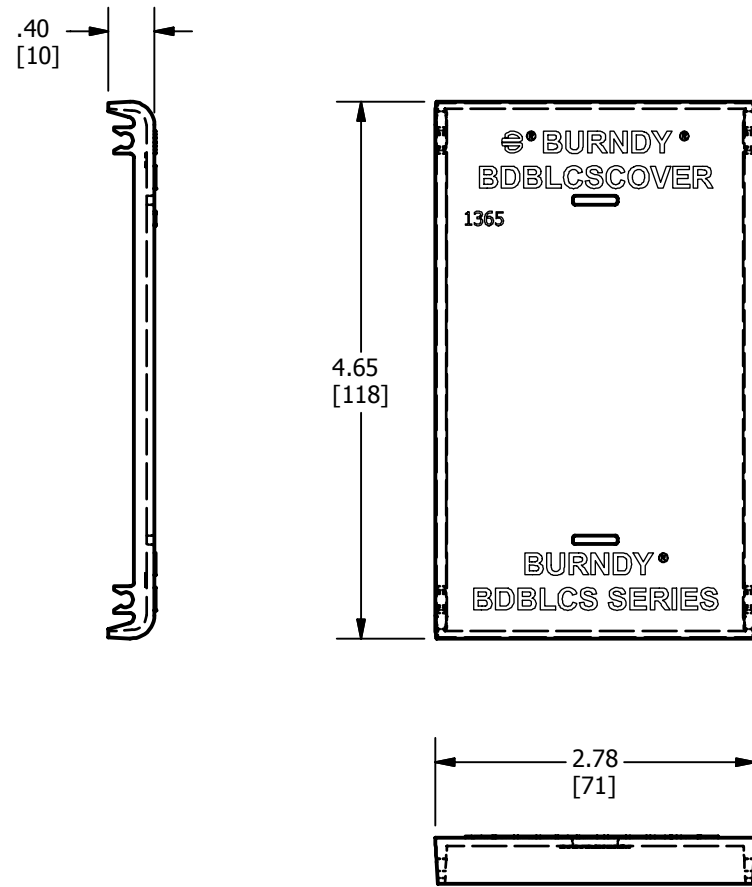
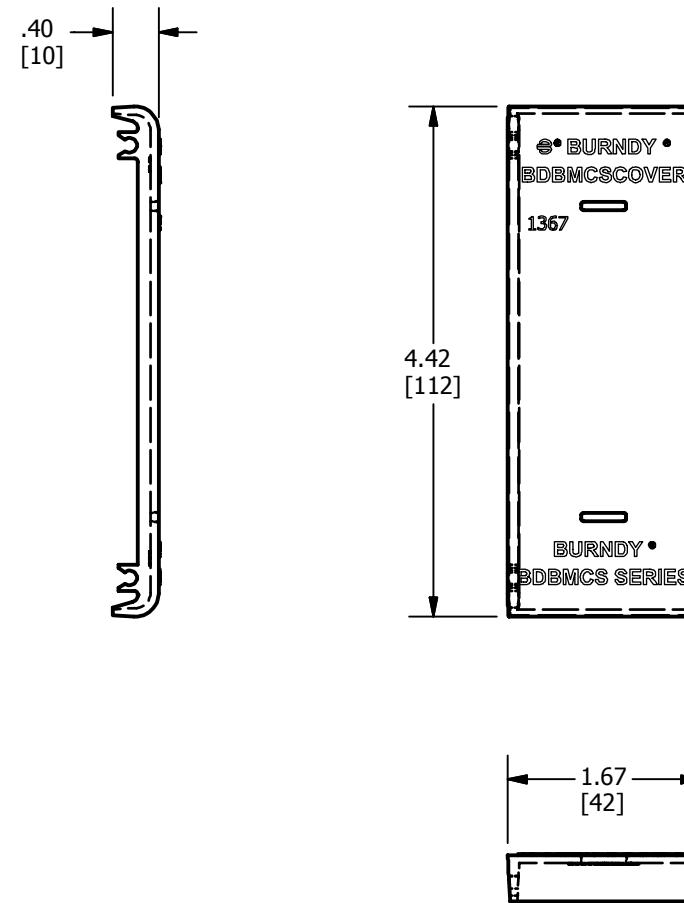


CATALOG NUMBER	ITEM NUMBER
BDBLCSCOVER	50041365
BDBMCSCOVER	50041367
BDBSCSCOVER	50041369

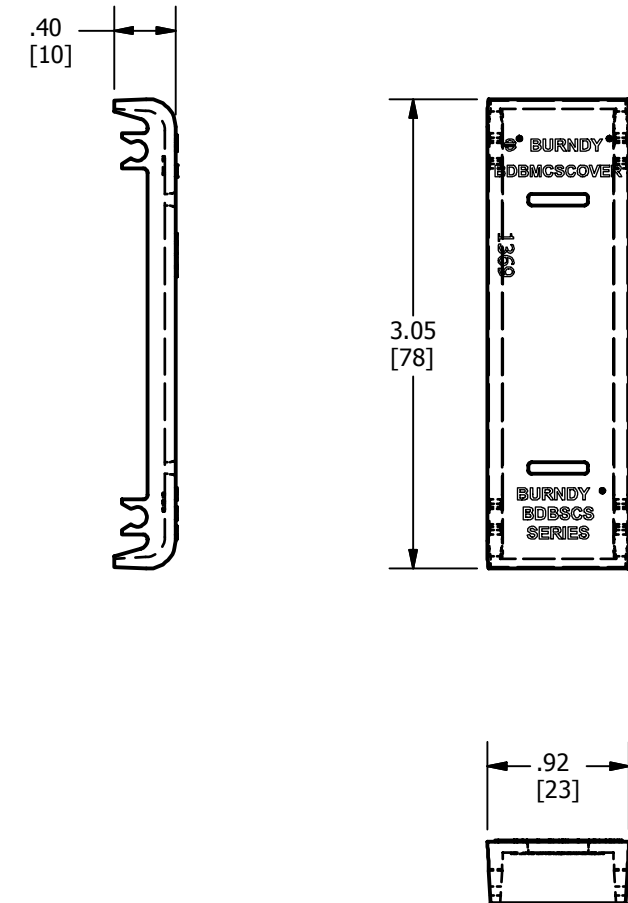
REV	DATE	DESCRIPTION	ECO	BY	CHK.
A	12/31	NEW DRAWING RELEASED	42559	RM	RG



BDBLCSCOVER
*USE WITH BDBLCS_ SERIES
DISTRIBUTION BLOCKS



BDBMCSCOVER
*USE WITH BDBMCS_ SERIES
DISTRIBUTION BLOCKS



BDBSCSCOVER
*USE WITH BDBSCS_ SERIES
DISTRIBUTION BLOCKS

NOTES:

1. DIMENSIONS IN BRACKETS [] ARE IN MILLIMETERS ROUNDED OFF TO THE NEAREST MILLIMETER, UNLESS OTHERWISE SPECIFIED AND ARE FOR REFERENCE ONLY.
2. MATERIAL : RED TINTED POLYCARBONATE.
3. 1 COVER PER POLE.

TO ORDER BURNDY® PRODUCTS CALL		SAFETY COVER	
UNITED STATES 1-800-346-4175 (LONDONDERRY, NH)		ITEM NO: SEE TABLE	
CANADA: 1-800-361-6975 (QUEBEC) 1-800-387-6487 (ALL OTHER PROVINCES)		CAT. NO: SEE TABLE	
FOR PRODUCT INFO: http://www.burndy.com		DRAWN BY: RAJESHKUMAR, M 12/31/2015	
		CHECKER: R. TROY 1/6/2016	
		DSN APRVL: R. TROY 3/4/2016	
		MFG APRVL: --	
		QA APRVL: K. CHERYL 1/11/2016	
		MKT APRVL: B. MICHAEL 1/6/2016	
		PROJ #: --	
		DRAWING NO	
		50066915	
		REV	
		A	
		SHEET 1 OF 1	