

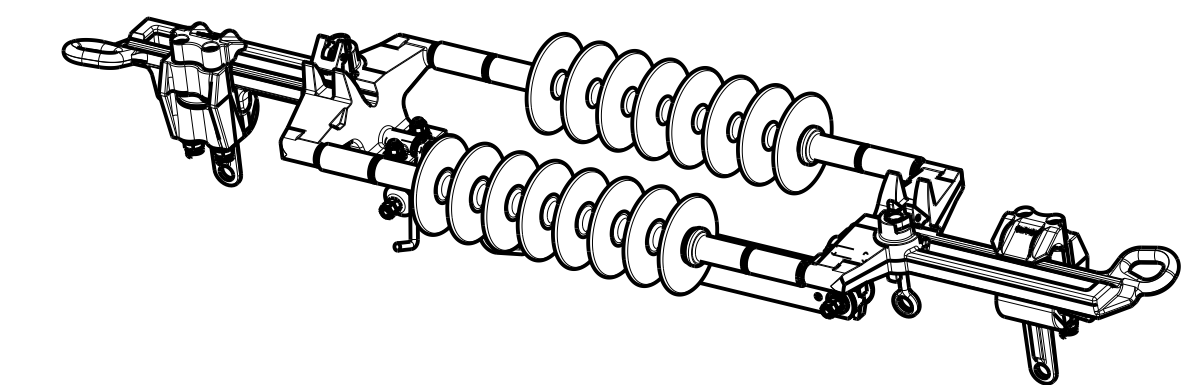
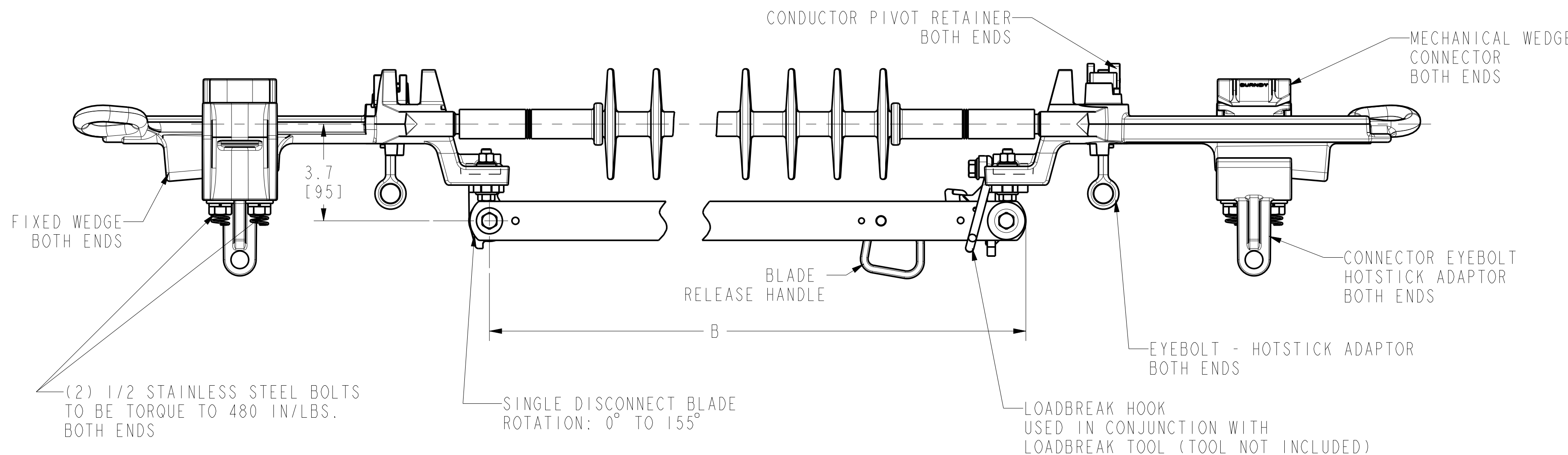
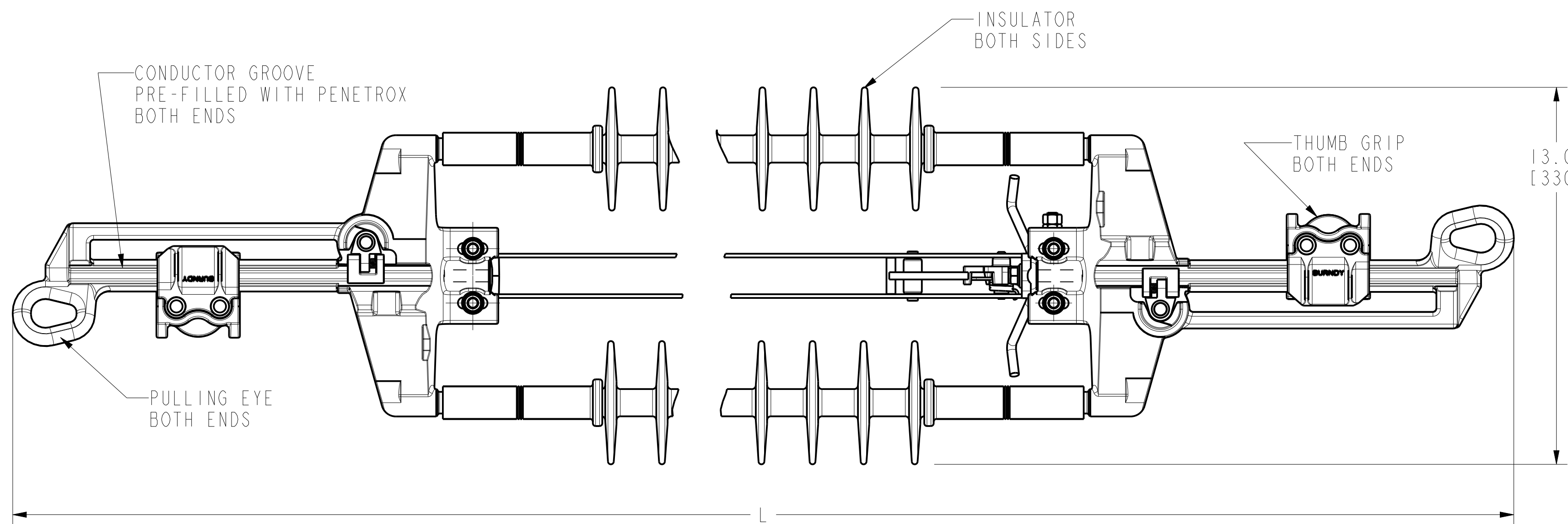
BURNDY PRODUCTS - MECHANICAL WEDGE APPLIED DEVICE TABLE (WADM)

REV	DATE	DESCRIPTION	ECO	BY	C'H'K.
E	02/08/2017 00:00:00 AM	CHANGED TO A SALES FORMAT	45960	DD	DD

ITEM NUMBER	CATALOG NUMBER	CONDUCTOR DIA. RANGE	ACCOMMODATES CONDUCTOR			SEE NOTE #3		MECHANICAL WEDGE CONNECTOR REPLACEMENT		DIMENSIONS	
			ACSR SIZE AWG OR Kcmil	AAC SIZE Kcmil	AAAC SIZE Kcmil	kV AC MAX	(BIL)	CATALOG NO.	REQ'D.	L	B
50064049	WADM33615	.398" TO .720"	1/0 - (6/1)	2/0 (7) (19)	123.3 (7)	15	110 kV	WADM336CON	2	45 [1140]	13.4 [340]
50064051	WADM33629		2/0 - (6/1)	3/0 (7) (19)	155.4 (7)	29	150 kV	WADM336CON	2	49 [1250]	17.9 [455]
50064053	WADM33635		3/0 - (6/1)	4/0 (7) (19)	195.7 (7)	35	200 kV	WADM336CON	2	54 [1370]	22.4 [569]
50064055	WADM55615	.721" TO .927"	266.8 - (18/1)	266.8 (7) (19)	300 (19)	15	110 kV	WADM556CON	2	45 [1140]	13.4 [340]
50064057	WADM55629		266.8 (26/7)	266.8 (7) (19)	312.8 (19)	29	150 kV	WADM556CON	2	49 [1250]	17.9 [455]
50064059	WADM55635		336.4 (18/1)	336.4 (19)	394.5 (19)	35	200 kV	WADM556CON	2	54 [1370]	22.4 [569]
50064061	WADM79515	.927" TO 1.040"	336.4 (26/7)	336.4 (30/7)	397.5 (18/1)	15	110 kV	WADM795CON	2	45 [1140]	13.4 [340]
50064063	WADM79529		397.5 (18/1)	397.5 (30/7)	400 (19)	29	150 kV	WADM795CON	2	49 [1250]	17.9 [455]
50064065	WADM79535		477 (18/1)	477 (24/7)	477 (19)	35	200 kV	WADM795CON	2	54 [1370]	22.4 [569]

NOTES:

- SUPPLIED WITH (2) CONNECTORS (SEE TABLE) INDIVIDUALLY PACKAGED IN POLYBAG WITH PENETROX™. MECHANICAL WEDGE SPRING LOADED BOLTED CONNECTOR CONSIST OF UPPER AND LOWER KEEPER THAT GRIPS CONDUCTOR, WITH THUMB GRIP TO OPEN OR CAN USE HOT STICK ADAPTOR.
- MATERIAL
CAST HIGH-CONDUCTIVITY ALUMINUM CONNECTOR BODY AND ALUMINUM AND STAINLESS STEEL CONNECTORS, COPPER BLADE BRASS FITTINGS SILICONE, FIBERGLASS RODS AND STAINLESS STEEL HARDWARE.
- RATINGS
VOLTAGE: (SEE TABLE)
FREQUENCY: 60 HERTZ
BASIC IMPULSE INSULATION LEVEL (BIL) : (SEE TABLE)
- CONTINUOUS CURRENT
ALLOWABLE RATING : 900 AMPERE RMS
PER ANSI C37-32.3.1.1 1990 : 800 AMPERE RMS
- BOLTED WEDGE CONNECTORS UTILIZE BOLTED TECHNOLOGY TO PROVIDE MECHANICAL AND ELECTRICAL CONNECTION. THE CONNECTOR MAY SLIDE DOWN THE RUDDER IF THE LINE EXPERIENCES A HIGH MECHANICAL LOAD OR CONNECTOR IS NOT TIGHTENED TO THE CORRECT TIGHTENING TORQUE.
- STRENGTH
BODY STRENGTH : 10,000 LBS.
PULLING EYE STRENGTH : 6,000 LBS.
- IN-LINE SWITCH CAN BE INSTALLED WITH AND WITHOUT HOT STICK TOOLING. REPLACEMENT CONNECTORS (SEE TABLE).
- DIMENSIONS IN BRACKETS [] DENOTES METRIC UNITS [SI UNITS] AND ARE ROUNDED TO THE NEAREST WHOLE NUMBER. UNLESS OTHERWISE SPECIFIED THESE UNITS SHALL BE USED FOR REFERENCE ONLY.



3D VIEW
REFERENCE ONLY
SCALE 1:8

TO ORDER BURNDY® PRODUCTS CALL		MECHANICAL IN-LINE SWITCH, WEDGE APPLIED DEVICE	
UNITED STATES		ITEM NO:	50067157
1-800-346-4175 (LONDONDERRY, NH)		CAT. NO:	SEE TABLE ABOVE
CANADA:		DRAWN BY:	D.DOBROSKA 2/4/2016
1-800-361-6975 (QUEBEC)		CHECKER:	D.DobroSKA 2/12/2016
1-800-387-6487 (ALL OTHER PROVINCES)		DSN APPVL:	D.DobroSKA 2/10/2016
FOR PRODUCT INFO: http://www.burndy.com		MFG APPVL:	--
		QA APPVL:	J.Brodeur 2/11/2016
		MKT APPVL:	J.Hall 2/10/2016
		PROD FAM:	--
		PROJECT #:	14778
		SIZE:	D
		DOCUMENT TYPE:	--
		REL LEVEL:	Released



DRAWING NO	50067158
REV	E
SHEET 1 OF 1	

REV: PEO200