

CATALOG NUMBER	DESCRIPTION	CHARGER CATALOG NO.
PATCUT4L5	PATRIOT PATCUT4L5 WITH 120V CHARGER	PATCHGRLI
PATCUT4L5DC	PATRIOT PATCUT4L5 WITH 12V CHARGER	PATCHGRLDC
PATCUT4L5LCB	PATRIOT PATCUT4L5 LESS CHARGER AND BATTERY	--

REV.	DATE	DESCRIPTION	ECO	BY	C'H'K.
B	2018-11-29 23:00:00 EST	UPDATED AS PER MARKUP	50404	RS	RM

*** BILL OF MATERIAL ***

PT NO.	CATALOG NO.	QTY	DESCRIPTION
1	CASEPATCUT4CUAL	1	CASE, PATRIOT CUTTER 4" CUAL
2	BAT18V5AHL1	2	BATTERY, MAKITA 18V LI-ION 5.0 AH MAKITA P/N BL1850B
3	PATCHGRLI	1	CHARGER, BATTERY LITHIUM ION
4	BATCHGRLIOMI	1	BATTERY CHARGER SAFETY OPERATING MAINTNANCE & INSTRUCTIONS
5	PT208620	1	LANYARD
6	PATCUT4CUALOMI	1	SOMI, PATCUT4CUAL
7	PT20443801	1	FIVE YEAR WARRANTY CARD
8	LIMSDS	1	MSDS, LITIUM ION BATTERY

PATRIOT®

BATTERY ACTUATED TOOL - HYDRAULIC SELF CONTAINED - 11 TON OUTPUT FORCE

SPECIFICATIONS

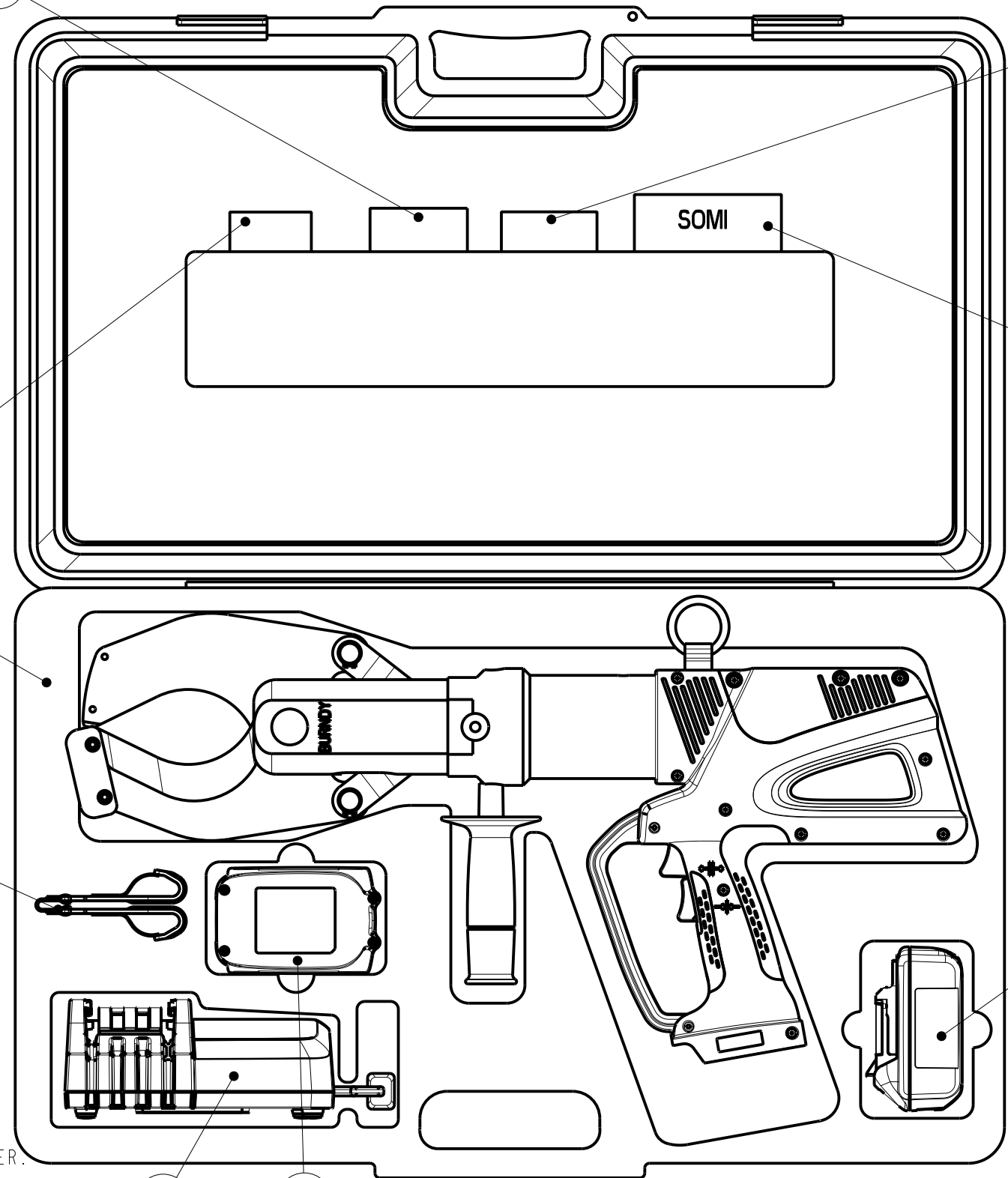
CRIMP FORCE: 11 TONS (9.9 METRIC TONS)
 TOOL WEIGHT: 20.3 LBS (8.6 kg)
 LENGTH: 24.31 IN (61.75 cm)
 WIDTH: 3.26 IN (8.28 cm)
 HEIGHT: 15.33 IN (38.94 cm)
 OPERATING VOLTAGE: 18V-DC
 RECHARGE TIME: 45 MINUTES

FEATURES AND BENEFITS

- REFINED HYDRAULIC SYSTEM FOR SUPERIOR PERFORMANCE, SPEED AND RELIABILITY.
- FIELD PROVEN ELECTRONICS FOR ULTIMATE RELIABILITY IN THE HARSHTEST ENVIRONMENTS.
- OVERMOLDED HANDLE FOR COMFORT AND IMPROVED GRIP; ALLOWS FOR ONE-HANDED OPERATION FOR ADVANCE, RETRACT AND HOLD.
- 18 VOLT LITHIUM-ION BATTERIES PROVIDE 2.5 TIMES MORE CHARGE / DISCHARGE CYCLES THAN TRADITIONAL Ni-Cd BATTERIES AND PROVIDE 430% MORE LIFETIME WORK.
- MAKITA CHARGER CONTROLS CURRENT, VOLTAGE AND TEMPERATURE TO MAXIMIZE BATTERY LIFE. FORCED AIR COOLING FAN COOLS THE BATTERY BY FORCING COOL AIR THROUGH THE BATTERY'S BUILT-IN AIR VENTS.
- STATE OF THE ART SCISSOR STYLE BLADE DESIGN, 355° ROTATION LETS THE USER GET INTO TIGHT AREAS EASIER.
- DURABLE HIGH IMPACT FORMED CARRYING CASE PROVIDES SUPERIOR PROTECTION AND STORES ALL ACCESSORIES.
- 5 YEAR LIMITED WARRANTY ON THE TOOL, 3 YEAR LIMITED WARRANTY ON THE BATTERIES AND CHARGER.
- LIFETIME WARRANTY ON INFINITY DRIVE®.

NOTE:

1. TOOL ACCEPTS 18V MAKITA LITHIUM-ION BATTERIES, BL SERIES, OF SIZE 2.0 AHR AND GREATER IF THE PLASTIC BATTERY CLIP IN THE TOOL HAS A "STAR" MOLDED INTO IT. THE "STAR" IDENTIFIES ACCEPTANCE OF THE BL SERIES BATTERIES.
2. FOR TOOLS WHICH DO NOT HAVE A "STAR" MOLDED INTO THE PLASTIC BATTERY CLIP, USE IS LIMITED TO THE BL1830 (3.0 AHR) BATTERY. FORCING ANY OTHER BATTERY INTO THIS TOOL WILL VOID THE WARRANTY.



TO ORDER BURNDY® PRODUCTS CALL

UNITED STATES:
1-800-346-4175 (LONDONDERRY, NH)

CANADA:
1-800-361-6975 (QUEBEC)
1-800-387-6487 (ALL OTHER PROVINCES)

FOR PRODUCT INFO: <http://www.burndy.com>

PATRIOT CUTTER 4" CUAL

ITEM NO: N/A	SCALE: 1:4	
CAT. NO: SEE TABLE	DRAWING NO	REV
DRAWN BY: T. FAUCHER 08/17/2016	50068048	B
CHECKER: M. CHIASSON 08/17/2016	SHEET 1 OF 1	
DSN APPVL: M. CHIASSON 08/19/2016		
MFG APPVL: C. TORREY 08/19/2016		
QA APPVL: C. LINDQUIST 08/19/2016		
MKT APPVL: P. SILVA 08/19/2016		
PROD FAM: TOOLS, BATTERY		
PROJECT #: --		
DOCUMENT TYPE: Sales		
REL LEVEL: Released		