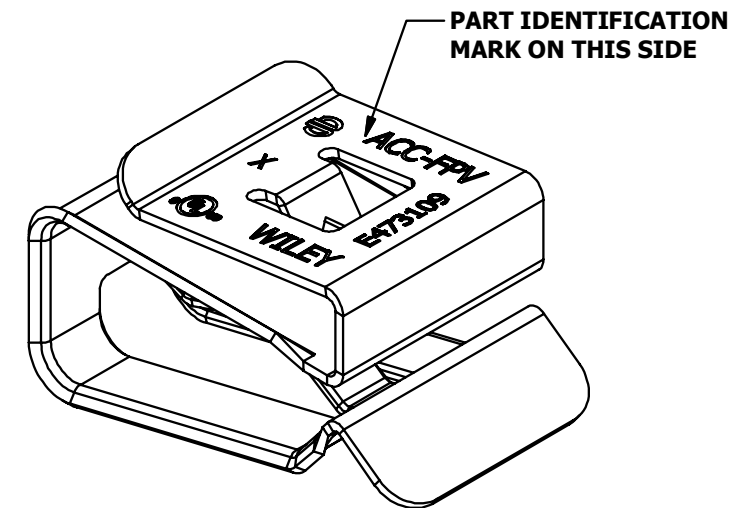
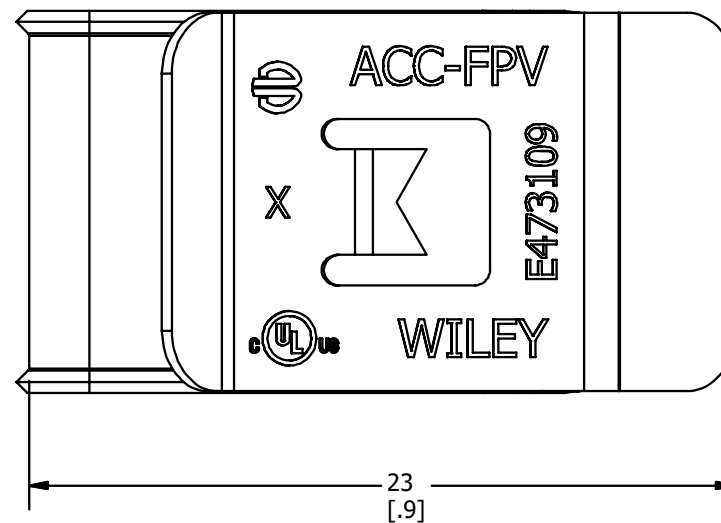
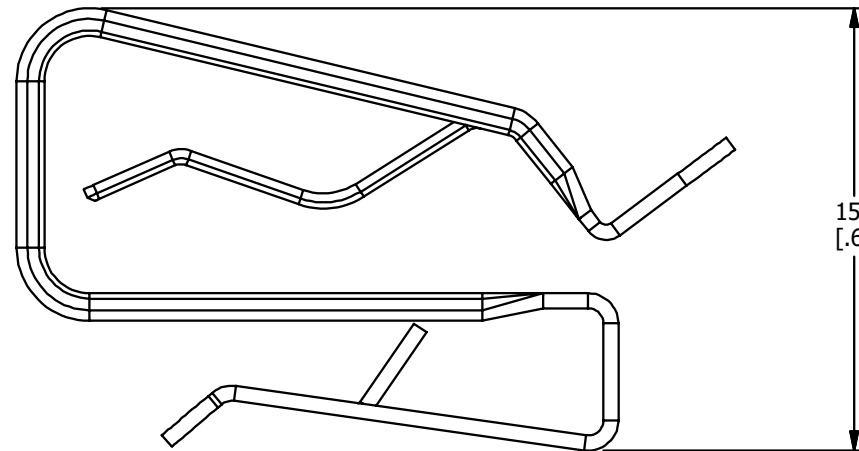
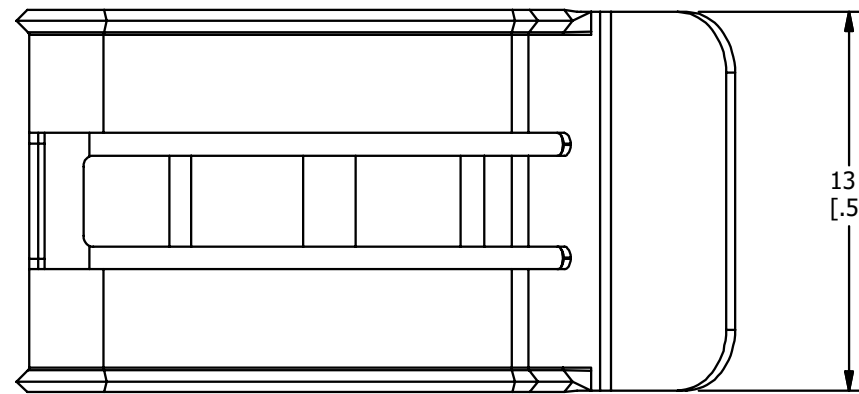
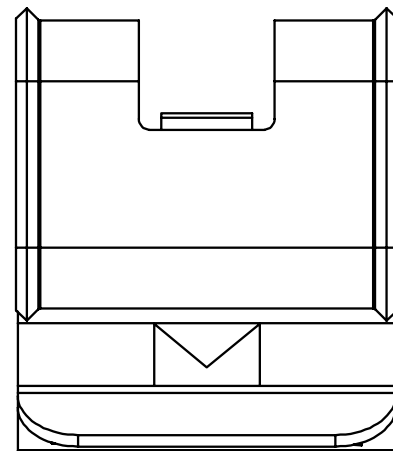


REV	DATE	DESCRIPTION	EC	BY	C'H'K.
D	04/28/2021	SALES DRAWING UPDATE	210428007625	TM	EM



3D VIEWS

NOTES:

1. MATERIAL: 304 STAINLESS STEEL.
2. DIMENSIONS IN BRACKETS [] ARE IN INCHES ROUNDED OFF TO THE NEAREST TENTH, UNLESS OTHERWISE SPECIFIED AND ARE FOR REFERENCE ONLY.
3. DESIGNED TO HOLD UP TO (2) PV WIRES UP TO 8.0mm [.315IN] DIAMETER.
4. COMPATIBLE ON MODULE FRAMES OR FLANGES WITH A THICKNESS RANGE OF 1.0 TO 3.0MM
5. INSTALLS ON TO THE MODULE FRAME OR FLANGE IN A STRAIGHT-ON ORIENTATION.
6. LISTED TO UL1565 STANDARD FOR POSITIONING DEVICES.

TO ORDER BURNDY® PRODUCTS CALL
 UNITED STATES
 1-800-346-4175 (LONDONDERRY, NH)
 CANADA:
 1-800-387-6487
 FOR PRODUCT INFO: <http://www.burndy.com>

ACME CABLE CLIP		DRAWING NO	REV
ITEM NO: 50068483		50068480	D
CAT. NO: ACC-FPV		SHEET 1 OF 1	
DRAWN BY: E.MARTIN	6/21/2017		
CHECKER: E.MARTIN	5/7/2021		
DSN APRVL: E.MARTIN	5/7/2021		
PURC APRVL: J.VERRANAULT	5/7/2021		
QA APRVL: J.BRODEUR	5/7/2021		
MKT APRVL: S.PARSONS	5/11/2021		
PROD FAM: WILEY			
PROJECT #:	SIZE		
DOCUMENT TYPE: SALES	B		
REL LEVEL: Released			