

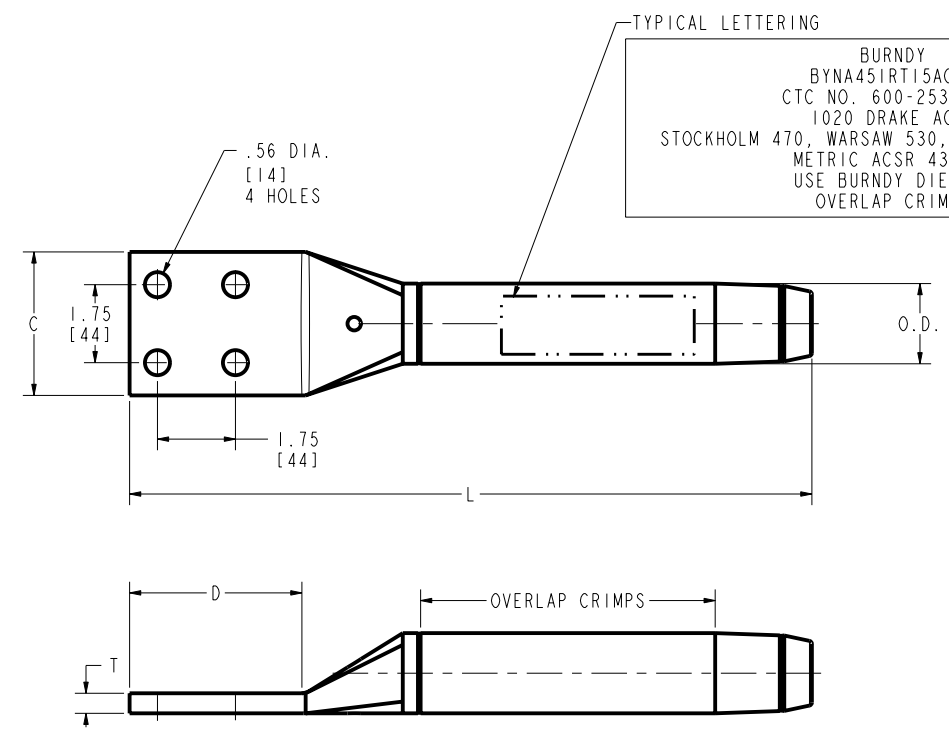
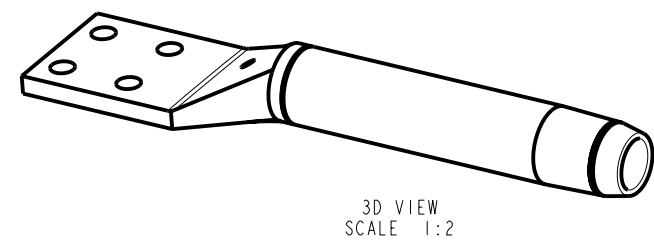
DRAWING NO.  
50068520

BURNDY® PRODUCTS - HYLUG™ HARDWARE

REV	DATE	DESCRIPTION	ECO	BY	C'H'K.
A	02/24/2016 14:34:00 PM	NEW DRAWING CREATED	42929	ARJ	MB

ITEM NUMBER	CATALOG NUMBER	ACCOMMODATES ACCC® CONDUCTOR		CONTAINS HARDWARE KIT CAT #	CTC NUMBER	DIMENSIONS							INSTALLATION TOOLING (NOT INCLUDED)			
		CODE WORD	SIZE			C	D	L	N	O.D.	I.D.	T	TOOLS, DIE SETS			
													DIE INDEX	Y45	Y46	Y60
10093969	BYNA451RTHACCC	DUBLIN	540 mm <sup>2</sup>	TMH24	600-253-5-0D	3.22 [82]	3.95 [100]	15.3 [389]	.63 [16]	1.80 [46]	1.18 [30]	.45 [11]	725	S725	P725	L725W
10093968	BYNA451RTACCC			--		--	--	--	--	--	--	--	--	--	--	--

5		CATALOG NO. TMH24 HARDWARE KIT CONSIST OF
QTY.		DESCRIPTION
4		BOLT, HEX HEAD 1/2"-13 X 2" LONG
4		HEX NUT, 1/2"-13
4		FLAT WASHER 1/2"
4		RESILIENT WASHER 1/2"



TYPICAL LETTERING  
 BURNDY  
 BYNA451RT15ACCC  
 CTC NO. 600-253-5-0D  
 1020 DRAKE ACCC  
 STOCKHOLM 470, WARSAW 530, DUBLIN 540 ACCC  
 METRIC ACSR 435/55  
 USE BURNDY DIE 725  
 OVERLAP CRIMPS

- NOTES:
- MATERIAL:  
 - CONNECTOR, ALUMINUM ALLOY, NO-OX-ID COATED  
 - ALUMINUM FILLER PLUG  
 - TMH24 HARDWARE  
 - BOLTS, NUTS AND FLAT WASHERS, ALUMINUM ALLOY  
 - RESILIENT WASHERS, GALVANIZED STEEL
  - DIMENSIONS IN BRACKETS [ ] ARE IN MILLIMETERS ROUNDED OFF TO THE NEAREST MILLIMETER, UNLESS OTHERWISE SPECIFIED AND ARE FOR REFERENCE ONLY.
  - DESIGNED FOR CORONA FREE OPERATION TO 230 KV NO ACCESSORIES REQUIRED.
  - CONNECTOR SHALL BE SHIPPED UN-ASSEMBLED.
- 5 RECOMMENDED TIGHTENING TORQUE: 1/2-13 ALUMINUM HARDWARE: 300 LBS-IN [34NM]
- 6 CATALOG NUMBER FOR HYLUG™ WITHOUT HARDWARE ARE CATALOG NUMBERS WITHOUT "H".
- 7 REFERENCE: 10092621, CONNECTOR INSTALLATION

COMPRESSION TERMINAL CONNECTOR FOR  
(ACCC®) ALUMINUM CONDUCTOR COMPOSITE CORE

TO ORDER BURNDY® PRODUCTS CALL		0 DEG HYLUG™ & HARDWARE	
UNITED STATES 1-800-346-4175 (LONDONDERRY, NH)		ITEM NO: SEE TABLE	CAT. NO: SEE TABLE
CANADA: 1-800-361-6975 (QUEBEC) 1-800-387-6487 (ALL OTHER PROVINCES)		DRAWN BY: ARJUN 2/24/2016	CHECKER: MANIKANDAN B2/24/2016
FOR PRODUCT INFO: <a href="http://www.burndy.com">http://www.burndy.com</a>		DSN APPVL: P CHAN 2/10/2016	MFG APPVL: --
		QA APPVL: C KOWALCZYK 2/10/2016	MKT APPVL: B CRUTCHER 2/12/2016
		PROJ #: --	SIZE: D
		DOCUMENT TYPE: Sales	REL LEVEL: Released
		SCALE: 1:2	DRAWING NO: 50068520
			REV: A
			SHEET 1 OF 1

REV: PE0200