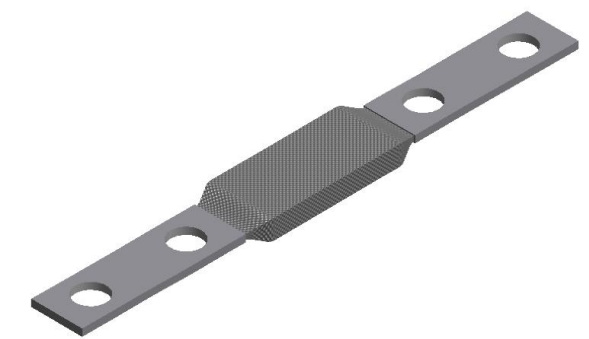
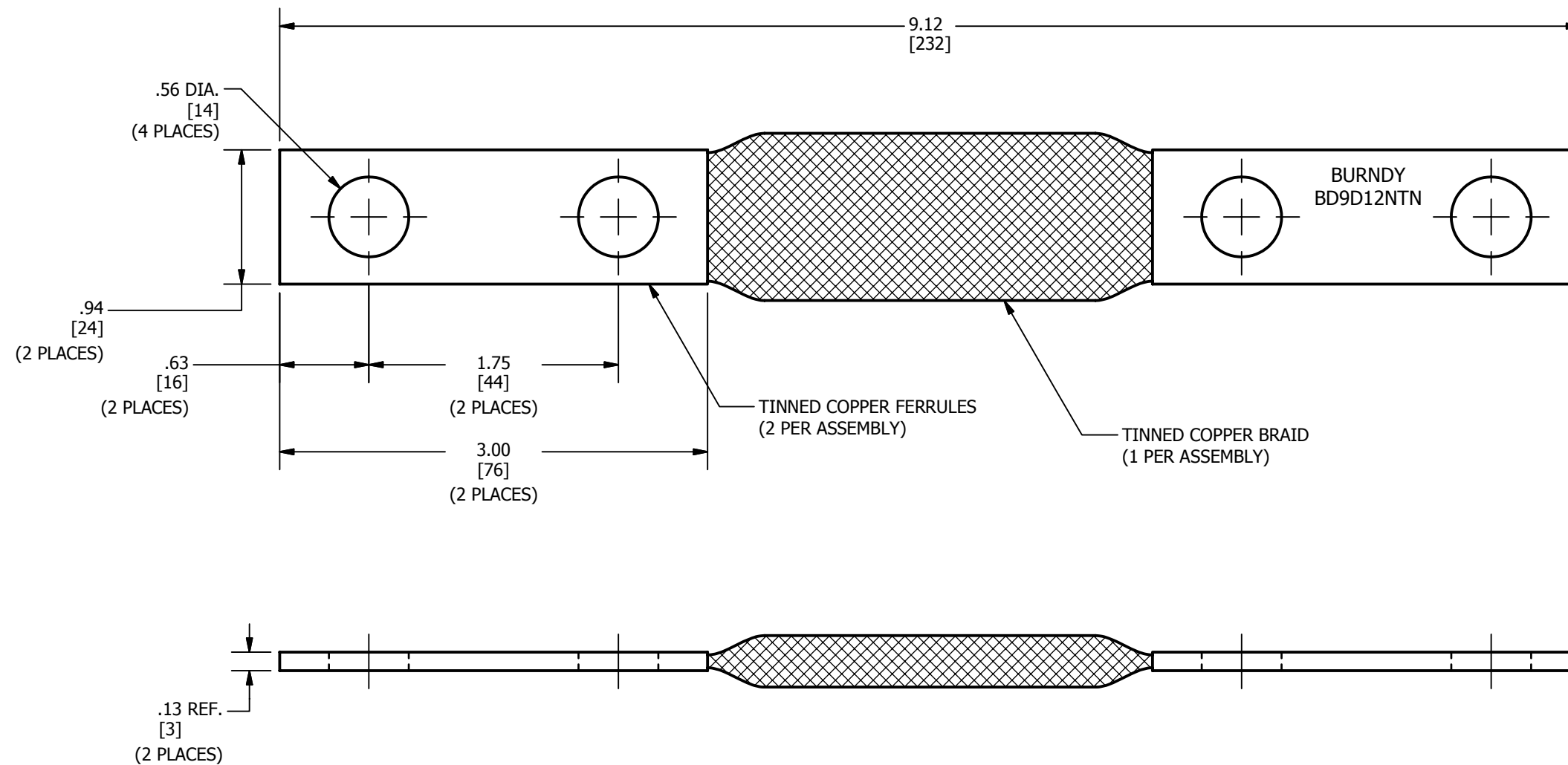


REV	DATE	DESCRIPTION	ECO	BY	CH'K.
A	03/28/2016	FOCUS REQUEST FPN1602136	43240	CV	MB



NOTES:

1. MATERIAL : COPPER
FINISH : TIN PLATED
2. DIMENSIONS IN BRACKETS [] ARE IN MILLIMETERS ROUNDED OFF TO THE NEAREST MILLIMETER, UNLESS OTHERWISE NOTED, AND ARE FOR REFERENCE ONLY.
3. APPROXIMATE WEIGHT : .575 LBS.

TO ORDER BURNDY® PRODUCTS CALL		BRAID													
UNITED STATES 1-800-346-4175 (LONDONDERRY, NH)		ITEM NO: 50069425													
CANADA: 1-800-361-6975 (QUEBEC) 1-800-387-6487 (ALL OTHER PROVINCES)		CAT. NO: BD9D12NTN													
FOR PRODUCT INFO: http://www.burndy.com		<table border="1"> <tr> <td>DRAWN BY: ARJUN</td> <td>3/2/2016</td> </tr> <tr> <td>CHECKER: MANIKANDAN B</td> <td>3/2/2016</td> </tr> <tr> <td>DSN APRVL: LOGAN T</td> <td>3/14/2016</td> </tr> <tr> <td>MFG APRVL: GUALBERTO O</td> <td>3/28/2016</td> </tr> <tr> <td>QA APRVL: KOWALCZYK C</td> <td>3/11/2016</td> </tr> <tr> <td>MKT APRVL: KATHLEEN R</td> <td>3/11/2016</td> </tr> </table>		DRAWN BY: ARJUN	3/2/2016	CHECKER: MANIKANDAN B	3/2/2016	DSN APRVL: LOGAN T	3/14/2016	MFG APRVL: GUALBERTO O	3/28/2016	QA APRVL: KOWALCZYK C	3/11/2016	MKT APRVL: KATHLEEN R	3/11/2016
DRAWN BY: ARJUN	3/2/2016														
CHECKER: MANIKANDAN B	3/2/2016														
DSN APRVL: LOGAN T	3/14/2016														
MFG APRVL: GUALBERTO O	3/28/2016														
QA APRVL: KOWALCZYK C	3/11/2016														
MKT APRVL: KATHLEEN R	3/11/2016														
<table border="1"> <tr> <td>PROD FAM: MECHANICAL GROUNDING</td> <td>DRAWING NO</td> <td>REV</td> </tr> <tr> <td>PROJECT #: FPN1602136</td> <td>SIZE</td> <td>50069428</td> </tr> <tr> <td>DOCUMENT TYPE: SALES</td> <td>B</td> <td>A</td> </tr> <tr> <td>REL LEVEL: Released</td> <td colspan="2">SHEET 1 OF 1</td> </tr> </table>		PROD FAM: MECHANICAL GROUNDING	DRAWING NO	REV	PROJECT #: FPN1602136	SIZE	50069428	DOCUMENT TYPE: SALES	B	A	REL LEVEL: Released	SHEET 1 OF 1			
PROD FAM: MECHANICAL GROUNDING	DRAWING NO	REV													
PROJECT #: FPN1602136	SIZE	50069428													
DOCUMENT TYPE: SALES	B	A													
REL LEVEL: Released	SHEET 1 OF 1														