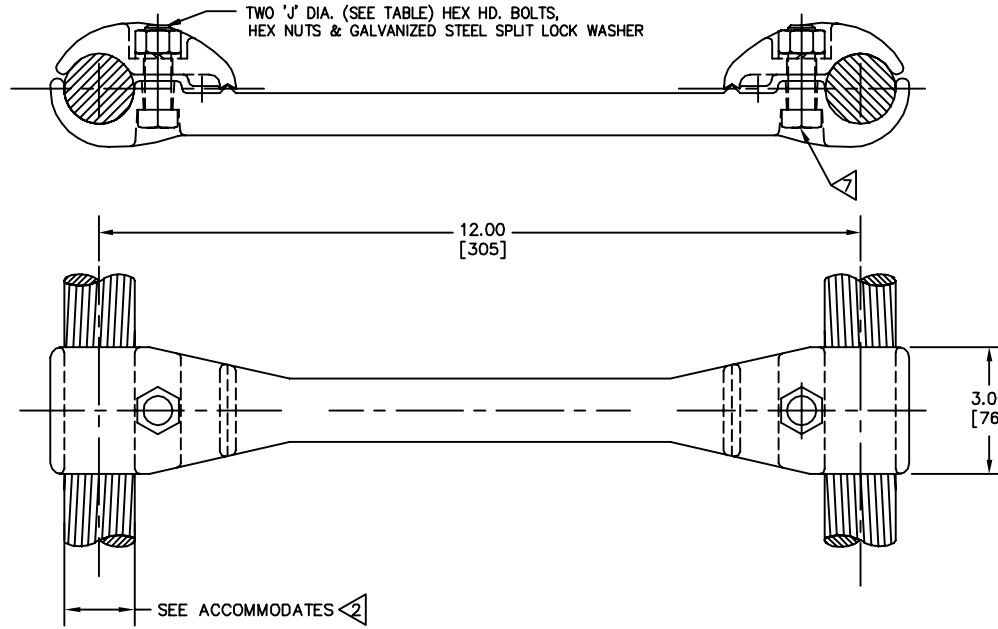


DRAWING NO. 50070024		CABLE RANGE		CABLE DIA.		"J" DIA
A.A.C.	A.C.S.R.	MIN.	MAX.			
2000 Kcmil 117 STR. (1.632 DIA.) - 2250 Kcmil 91 STR. (1.729 DIA.)	2050 Kcmil 76/19 STR. (1.700 DIA.)	1.632 [42]	1.737 [44]	5/8"-11 X 2" LG.		

REV.	DATE	DESCRIPTION	ECO	BY	C*K'D.
A	04/07/16	NEW DRAWING CREATED	43326	CV	MB



NOTES:

- 1 MATERIAL:
BODY & CAP: CAST ALUMINUM ALLOY
- 2 ACCOMMODATES:
SEE TABLE
- 3 NOMINAL BOLT INSTALLATION TORQUE:
5/8" ALUMINUM HARDWARE - 480 LB-IN [55 Nm]
- 4 DIMENSIONS IN BRACKETS [] DENOTES METRIC UNITS [SI UNITS]
AND ARE ROUNDED TO THE NEAREST WHOLE NUMBER. UNLESS
OTHERWISE SPECIFIED THESE UNITS SHALL BE USED FOR
REFERENCE ONLY.
- 5 PENETROX™ NOTE: SCRATCH BRUSH CONNECTOR CONTACT SURFACE DRY,
THEN APPLY PENETROX™ A. PENETROX™ CAN BE PURCHASED FROM BURNDY
LLC, IN CANS OR PLASTIC SQUEEZE BOTTLES.
- 6 THE CONCEPT SHOWN INCORPORATES PRINCIPLES WHICH PERMIT OPERATION
AT A VOLTAGE GRADIENT NORMALLY ASSOCIATED WITH 550KV RMS
OPERATION PHASE TO PHASE.
- 7 HEX BOLTS CAPTURED TO PREVENT TURNING DURING INSTALLATION.
- 8 MARKING:
BURNDY
S2GBP483A12
2000 Kcmil-2250 Kcmil

TO ORDER BURNDY® PRODUCTS CALL UNITED STATES: 1-800-346-4175 (LONDONDERRY, NH) CANADA: 1-800-361-6975 (QUEBEC) 1-800-387-6487 (ALL OTHER PROVINCES) FOR PRODUCT INFO: http://www.burndy.com		TWO CONDUCTOR SPACER		
		ITEM NO: 25018156		
CAT NO: S2GBP483A12				
SCALE: NTS	DRAWN BY: CV 05/04/2016			
CHECKED: MB	05/04/2016			
DSH APPL: ---	---			
RF APPL: ---	---			
QC APPL: ---	---		DRAWING NO	
MKT APPL: ---	---		REV	
PROD FLM: ---	---		50070024	
PROJECT # FPH1803048	SIZE	A		
ISSUED TIME Sales	C	SHEET 1 of 1		
REL LEVEL: AutoCAD				