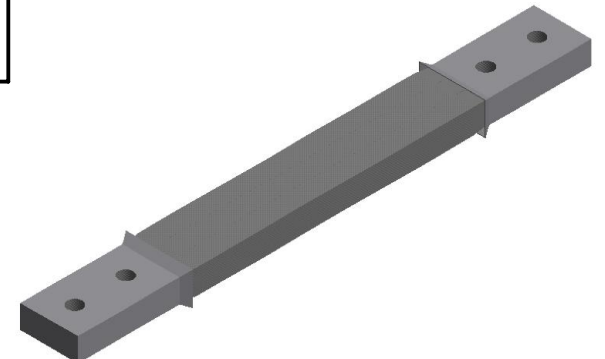
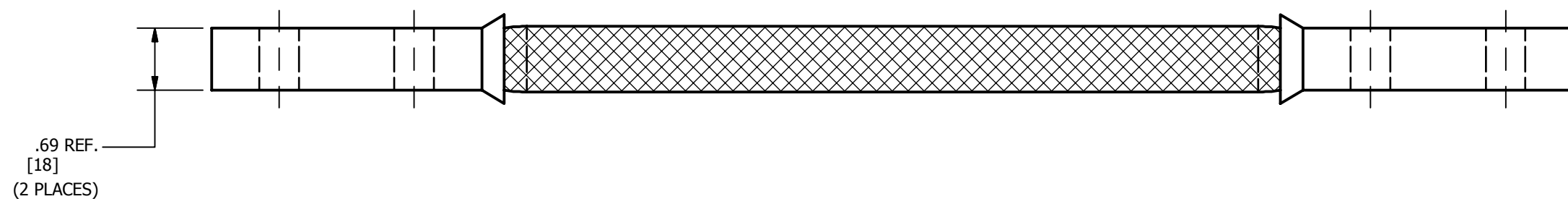
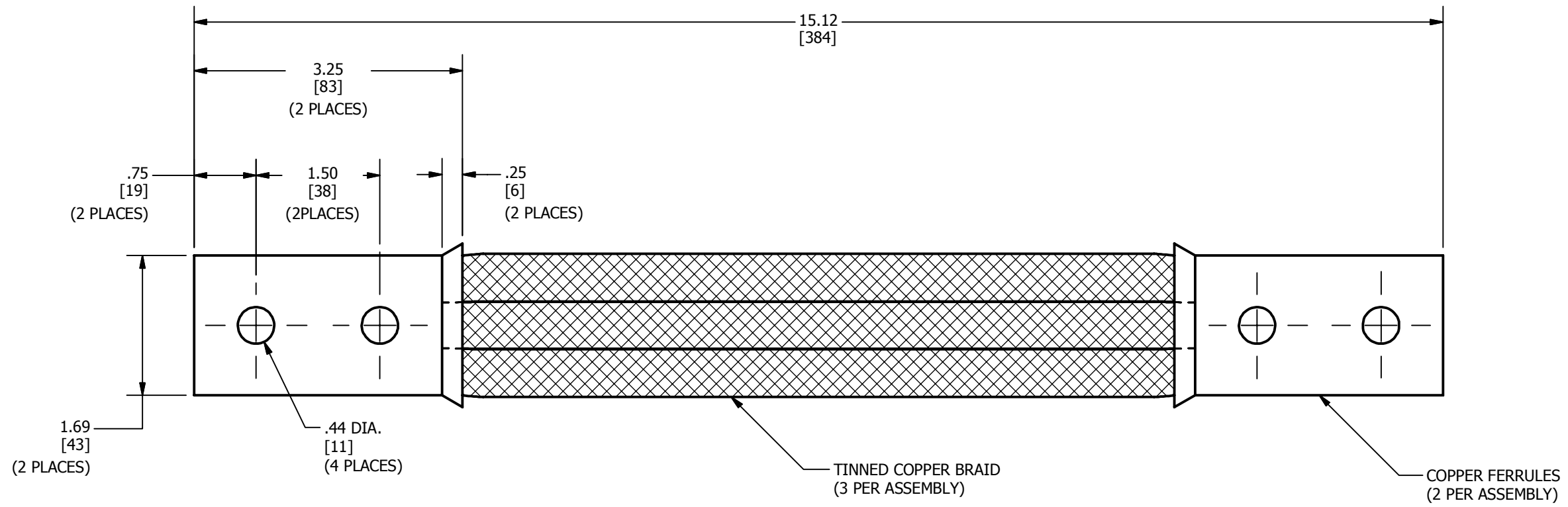


REV	DATE	DESCRIPTION	ECO	BY	C'H'K.
A	03/30/2016	NEW SALES DRAWING CREATED	37196	RW	MB



NOTES:

1. DIMENSIONS IN BRACKETS [] ARE IN MILLIMETERS ROUNDED OFF TO THE NEAREST MILLIMETER, UNLESS OTHERWISE NOTED, AND ARE FOR REFERENCE ONLY.
2. APPROXIMATE WEIGHT 7.700 LBS.

TO ORDER BURNDY® PRODUCTS CALL		BRAID	
UNITED STATES 1-800-346-4175 (LONDONDERRY, NH)		ITEM NO: 332164	
CANADA: 1-800-361-6975 (QUEBEC) 1-800-387-6487 (ALL OTHER PROVINCES)		CAT. NO: B3G15	
FOR PRODUCT INFO: http://www.burndy.com		DRAWN BY: RAJESWARAN.S 03-30-2016	
		CHECKER: MANIKANDAN.B 09-07-2015	
		DSN APRVL: T.LOGAN 04-20-2016	
		MFG APRVL: []	
		QA APRVL: K.CHERYL 04-28-2016	
		MKT APRVL: R.KATHLEEN 04-20-2016	
PROD FAM: MECHANICAL GROUNDING	DRAWING NO	REV	
PROJECT #: SALES	SIZE	50070676	A
REL LEVEL: Released	B	SHEET 1 OF 1	