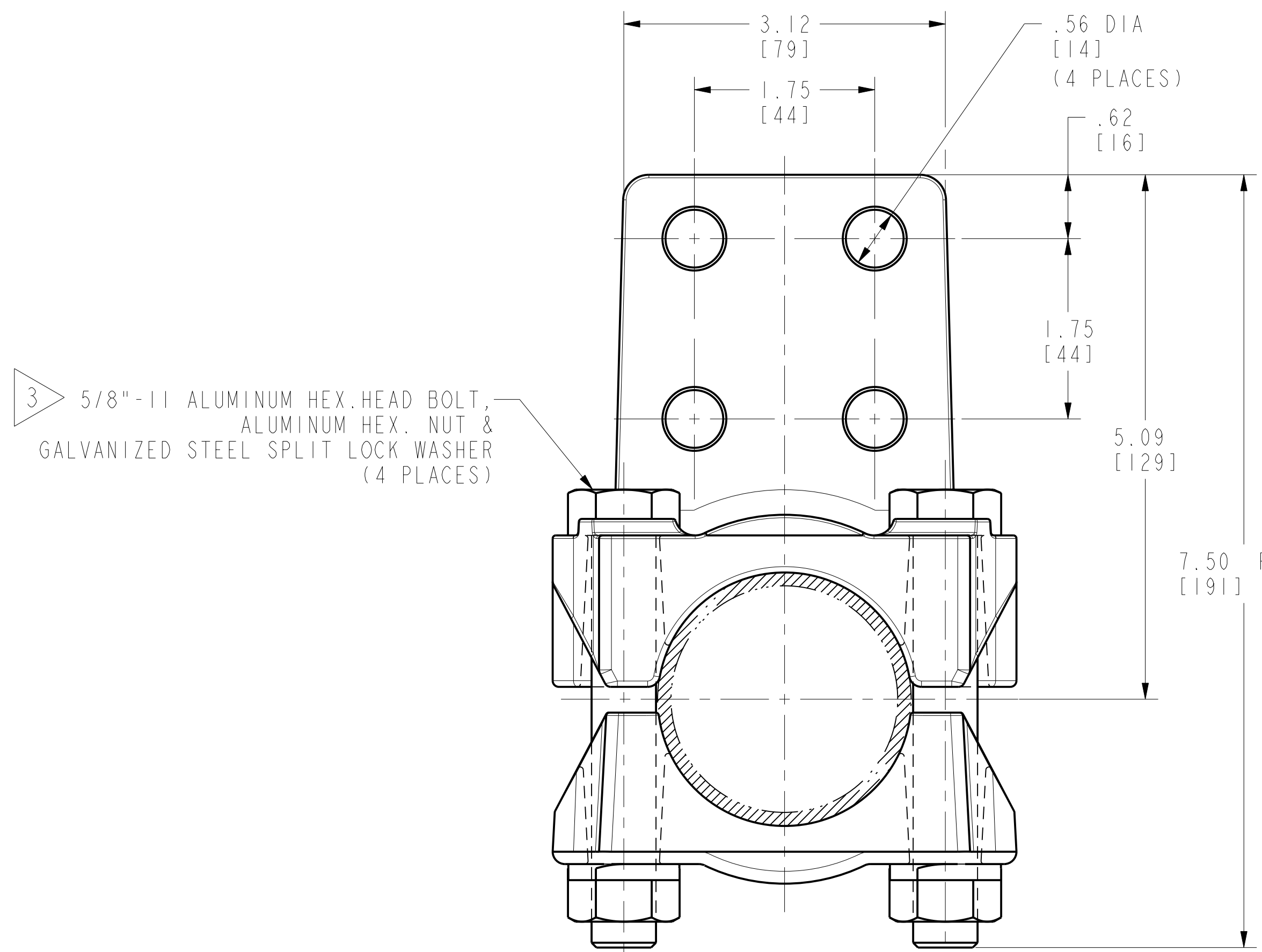
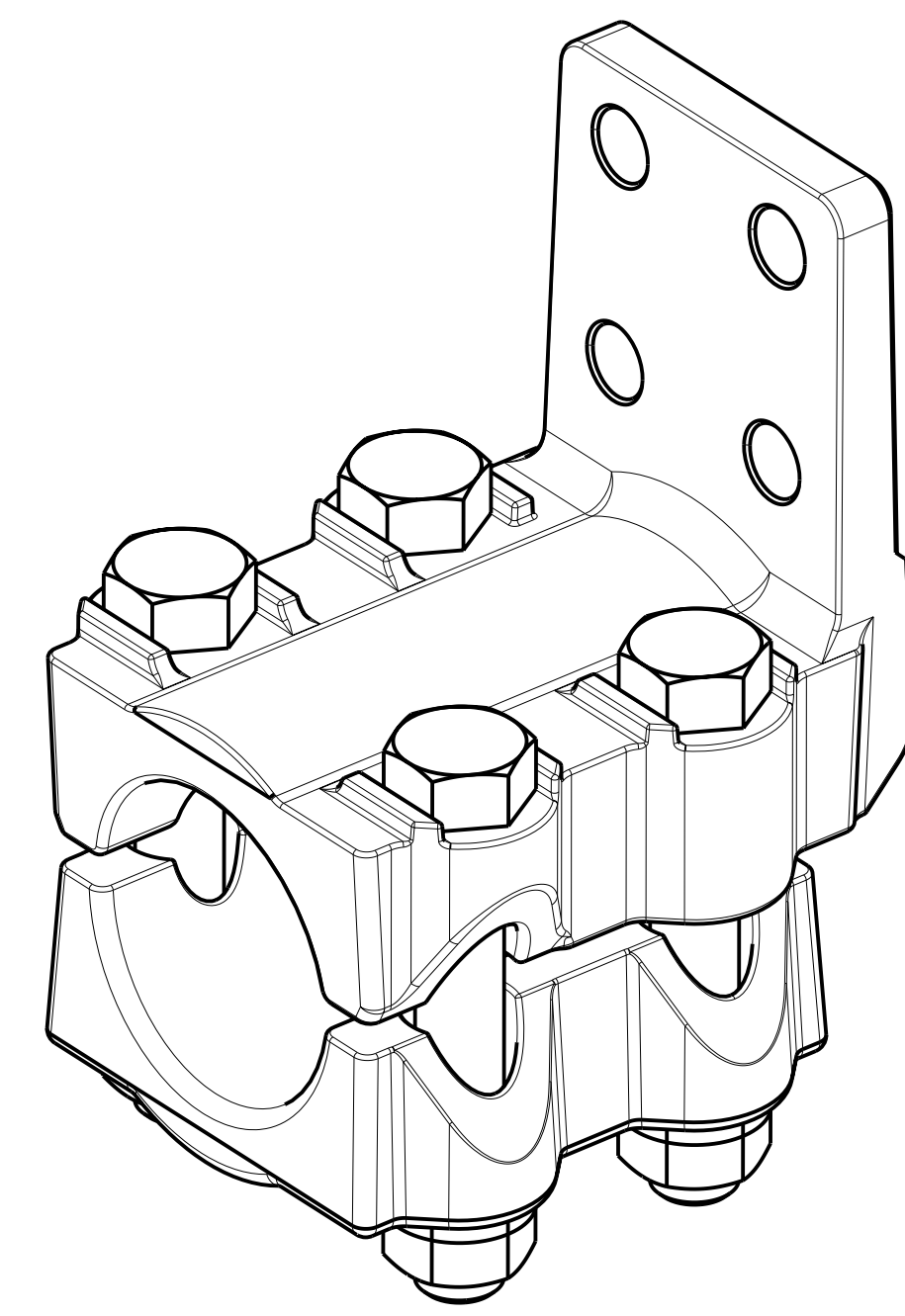
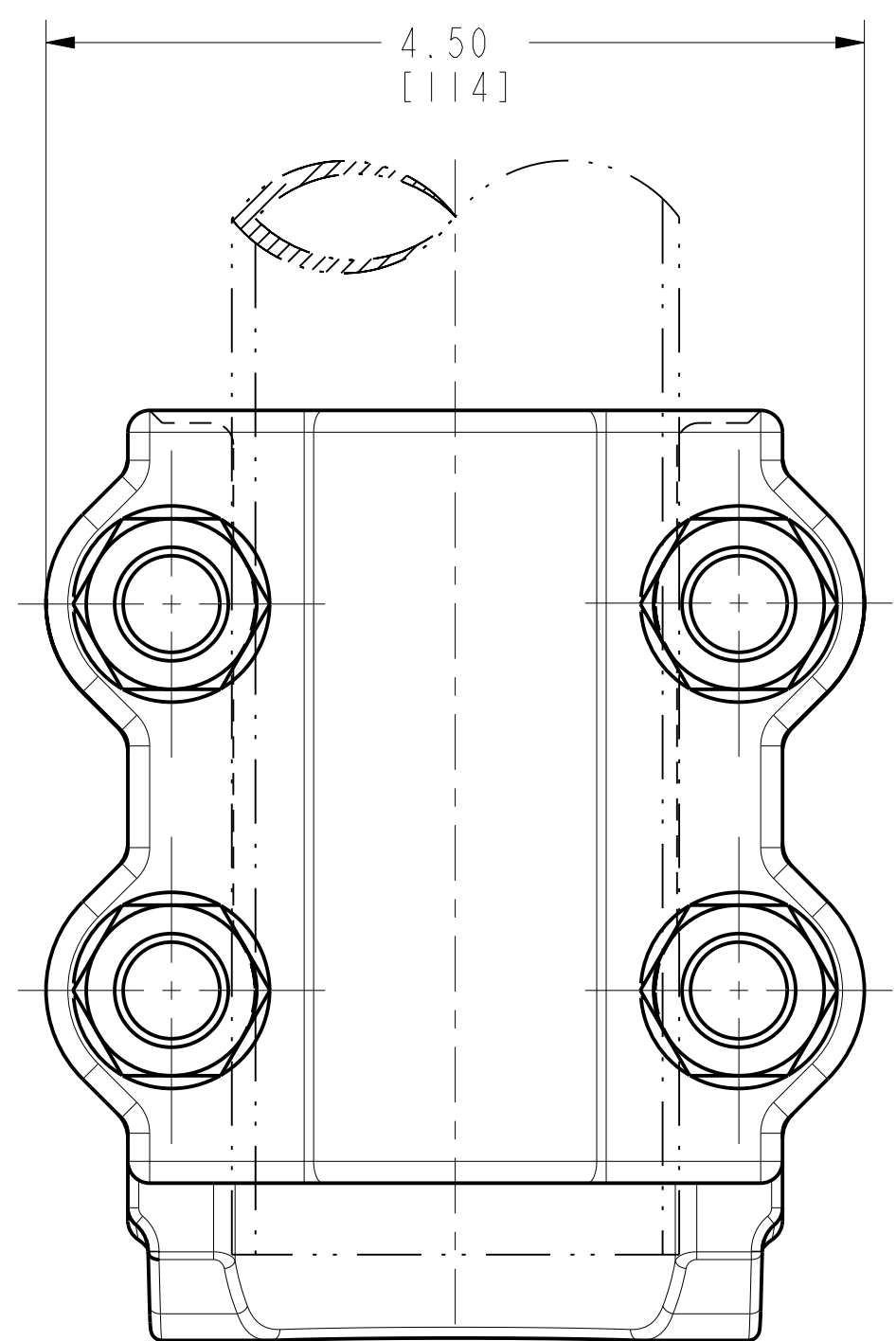
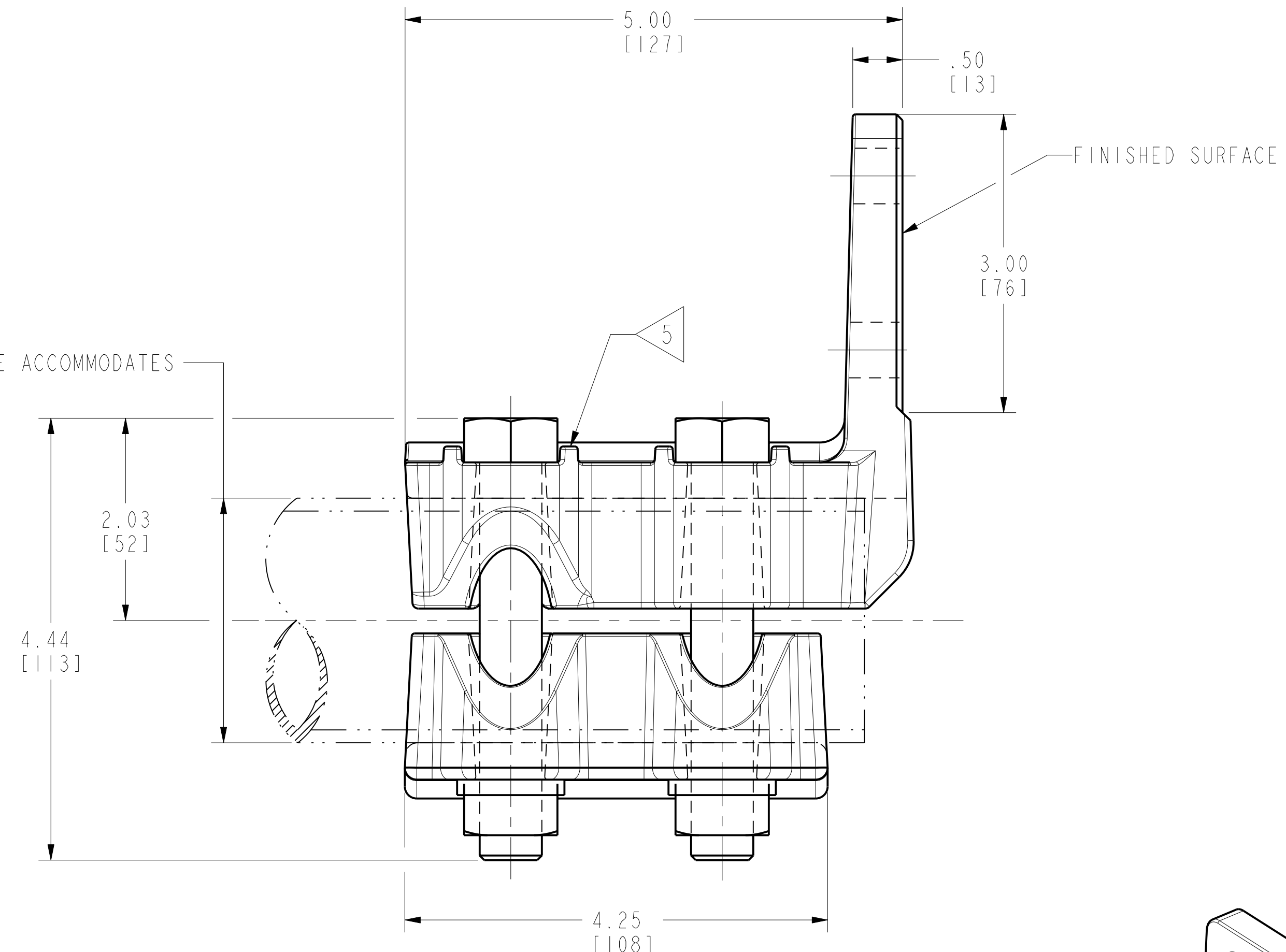


REV	DATE	DESCRIPTION	ECO	BY	C'H'K.
A	06/02/2016 00:00:00 AM	DRAWING RELEASED	44003	MM	NJS



2 SEE ACCOMMODATES



3D VIEW

- NOTES:
- 1 MATERIAL:
BODY & CAP: CAST ALUMINUM ALLOY.
 - 2 ACCOMMODATES:
2" IPS (2.375 [60] DIA.) ALUMINUM TUBE.
 - 3 NOMINAL BOLT INSTALLATION TORQUE:
5/8" HEX. ALUMINUM HARDWARE : 480 LB-IN [55 Nm].
 - 4 DIMENSIONS IN BRACKETS [] DENOTES METRIC UNITS [SI UNITS] AND ARE ROUNDED TO THE NEAREST WHOLE NUMBER. UNLESS OTHERWISE SPECIFIED THESE UNITS SHALL BE USED FOR REFERENCE ONLY.
 - 5 HEX BOLTS CAPTURED TO PREVENT TURNING DURING INSTALLATION.
 - 6 PENETROX™ NOTE: SCRATCH BRUSH CONNECTOR CONTACT SURFACE DRY, THEN APPLY PENETROX™. PENETROX™ CAN BE PURCHASED FROM BURNDY LLC. IN CANS OR PLASTIC SQUEEZE BOTTLES.
 - 7 MARKING:
BURNDY
NA18A4N90
2" IPS AL

TO ORDER BURNDY® PRODUCTS CALL		TERMINAL CONNECTOR	
UNITED STATES 1-800-346-4175 (LONDONDERRY, NH)		ITEM NO: 30493Q	SCALE: 1:1
CANADA: 1-800-361-6975 (QUEBEC) 1-800-387-6487 (ALL OTHER PROVINCES)		CAT. NO: NA18A4N90	REV
FOR PRODUCT INFO: http://www.burndy.com		DRAWN BY: M MOHAN 05/30/16	50071981
		CHECKER: NJ SUDHAKAR 05/30/16	A
		DSN APPVL: R LAVOIE 07/05/16	
		MFG APPVL: -- --	
		GA APPVL: J HILLMAN 06/30/16	
		MKT APPVL: B KEENAN 06/30/16	
		PROD FAM: SUBSTATION	
		PROJECT #: --	
		DOCUMENT TYPE: Sales	
		REL LEVEL: Released	

REV: PEC200