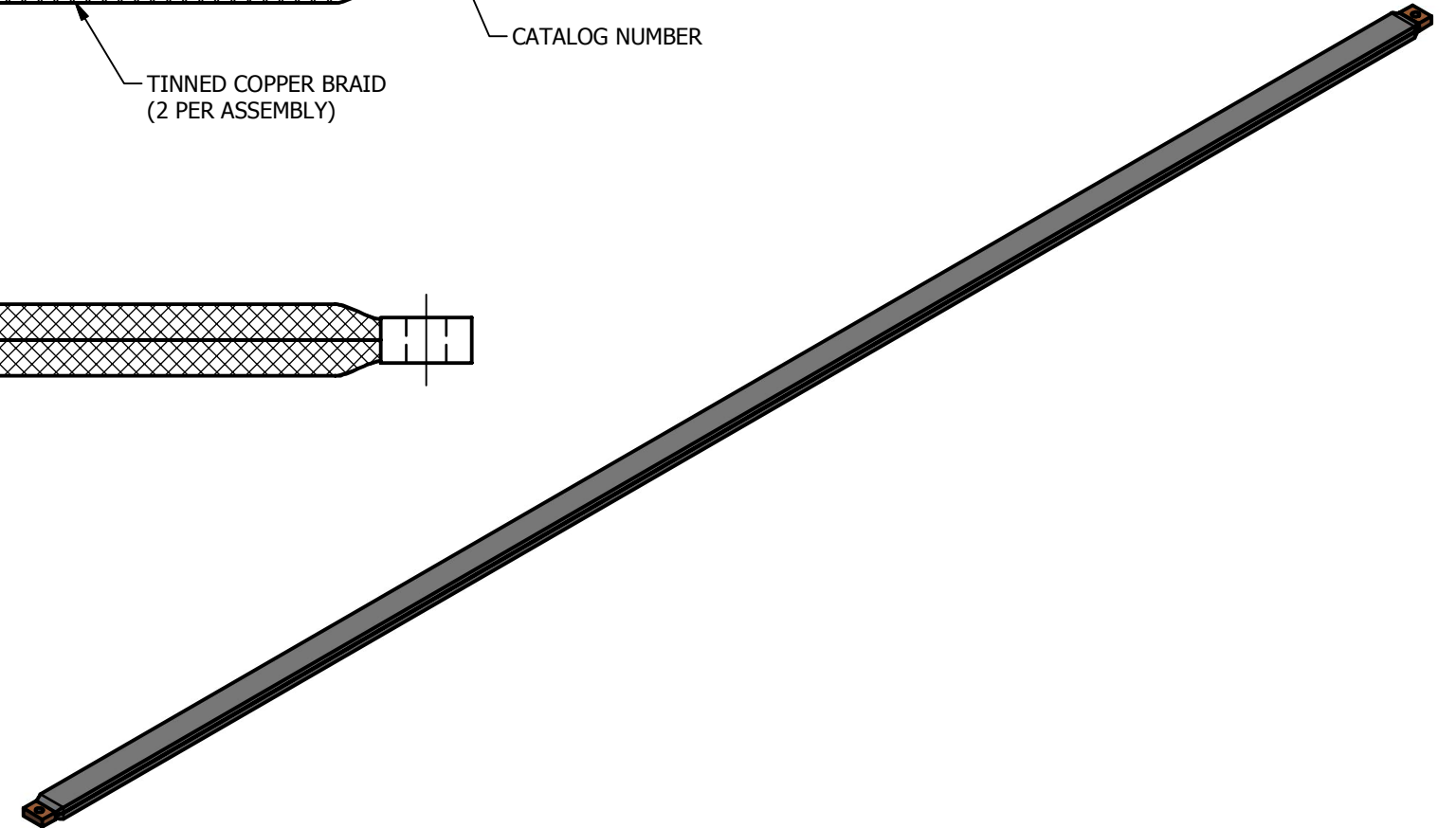
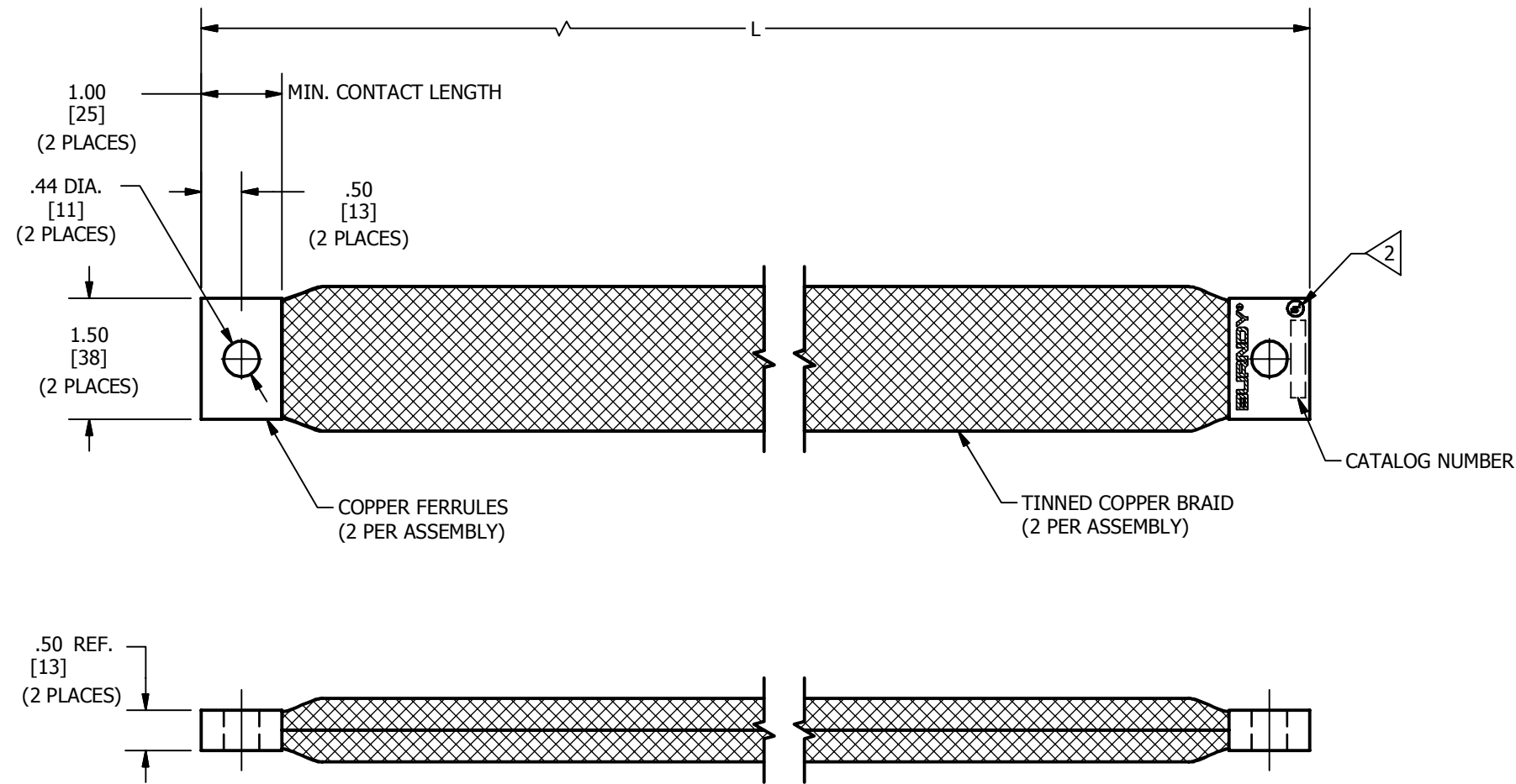


ITEM NO.	CATALOG NO.	L
50072708	B2G84T38	84.00
50072246	B2G108T38	108.00

REV	DATE	DESCRIPTION	ECO	BY	C'H'K.
A	07/04/2016	DRAWING RELEASED	44281	RM	RG



NOTES:

1. DIMENSIONS IN BRACKETS [ ] ARE IN MILLIMETERS ROUNDED OFF TO THE NEAREST MILLIMETER, UNLESS OTHERWISE NOTED, AND ARE FOR REFERENCE ONLY.
2. ALL SIZES ARE LISTED TO UL 467 GROUNDING & BONDING EQUIPMENT STANDARDS.

TO ORDER BURNDY® PRODUCTS CALL		BRAID	
UNITED STATES 1-800-346-4175 (LONDONDERRY, NH)		ITEM NO: (SEE TABLE)	
CANADA: 1-800-361-6975 (QUEBEC) 1-800-387-6487 (ALL OTHER PROVINCES)		CAT. NO: (SEE TABLE)	
FOR PRODUCT INFO: <a href="http://www.burndy.com">http://www.burndy.com</a>		DRAWN BY: SENTHIL 5/26/2016	
		CHECKER: R. GLEN 7/7/2016	
		DSN APRVL: T. LOGAN 7/8/2016	
		MFG APRVL: S. MATTHEW 7/8/2016	
		QA APRVL: L. CARL 7/8/2016	
		MKT APRVL: R. KATHLEEN 7/7/2016	
PROD FAM: MECHANICAL GROUNDING	DRAWING NO	REV	
PROJECT #: --	SIZE	50072247	A
DOCUMENT TYPE: SALES	B	SHEET 1 OF 1	
REL LEVEL: Released			