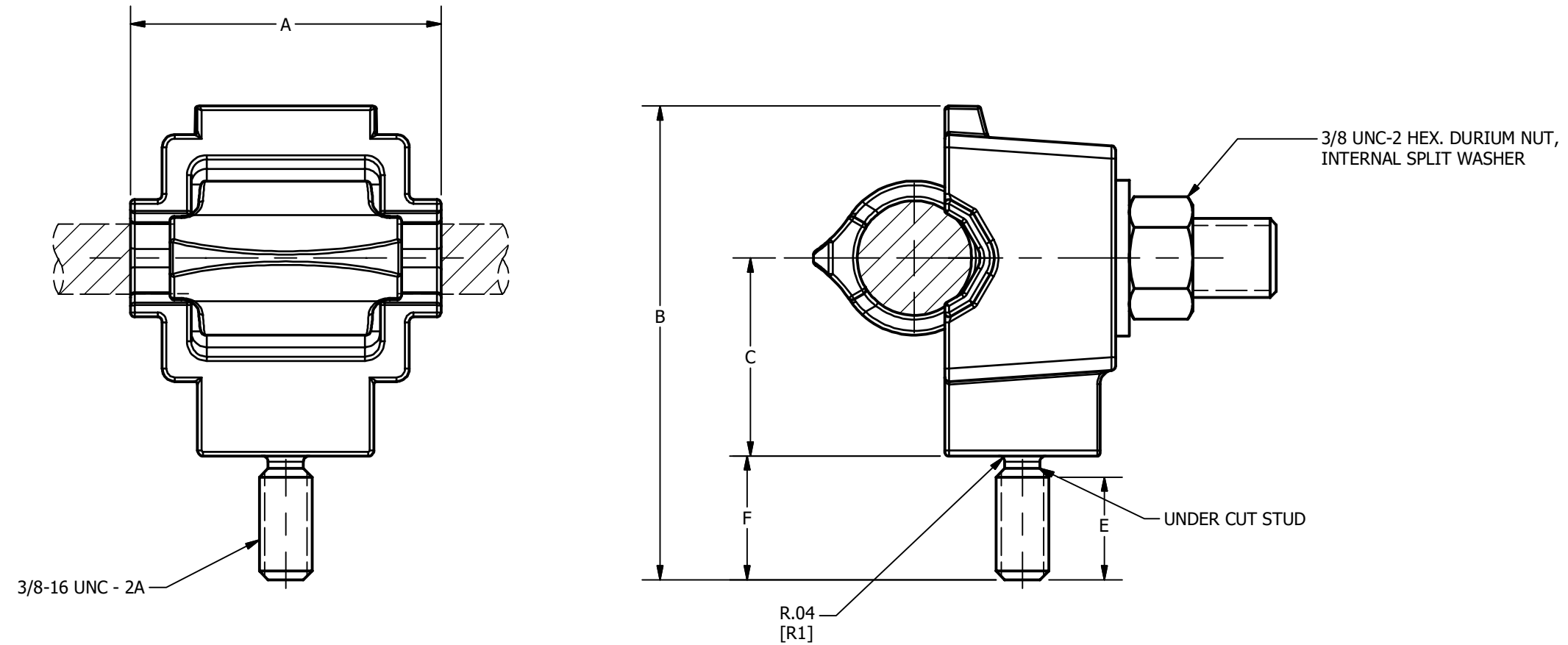


CATALOG NO.	CONDUCTOR RANGE	A	B	C	E	F	EYE	FINISH
EQC26CG15	#8 SOL. - #3/0 STR.	1.53	2.56	.94	.81	.875	EQF27P2W	ELECTRO-TIN PLATED PER SPEC. F4383- TYPE T2

REV	DATE	DESCRIPTION	ECO	BY	C'H'K.
B	10/27/2020	ITEM NUMBER UPDATED AS PER SAP	54459	PB	RG



**NOTES:**

1. DIMENSIONS IN BRACKETS [ ] ARE IN MILLIMETERS ROUNDED OFF TO THE NEAREST MILLIMETER, UNLESS OTHERWISE SPECIFIED AND ARE FOR REFERENCE ONLY.
2. MATERIAL : BODY - ALLOY 115 PER SPEC. M253.  
EYE - ALLOY 330 PER SPEC. M189.

TO ORDER BURNDY® PRODUCTS CALL		TRANSFORMER TERMINAL													
UNITED STATES 1-800-346-4175 (LONDONDERRY, NH)		ITEM NO: 27001732													
CANADA: 1-800-361-6975 (QUEBEC) 1-800-387-6487 (ALL OTHER PROVINCES)		CAT. NO: EQC26CG15													
FOR PRODUCT INFO: <a href="http://www.burndy.com">http://www.burndy.com</a>		<table border="1"> <tr> <td>DRAWN BY: N.ARIJUN</td> <td>05/08/2016</td> </tr> <tr> <td>CHECKER: R.CHELLIAH</td> <td>05/08/2016</td> </tr> <tr> <td>DSN APRVL: R.CHELLIAH</td> <td>05/08/2016</td> </tr> <tr> <td>MFG APRVL: L.TROMBLEY</td> <td>05/16/2016</td> </tr> <tr> <td>QA APRVL: J.BRODEUR</td> <td>05/04/2016</td> </tr> <tr> <td>MKT APRVL: P.THERRIEN</td> <td>06/03/2016</td> </tr> </table>		DRAWN BY: N.ARIJUN	05/08/2016	CHECKER: R.CHELLIAH	05/08/2016	DSN APRVL: R.CHELLIAH	05/08/2016	MFG APRVL: L.TROMBLEY	05/16/2016	QA APRVL: J.BRODEUR	05/04/2016	MKT APRVL: P.THERRIEN	06/03/2016
DRAWN BY: N.ARIJUN	05/08/2016														
CHECKER: R.CHELLIAH	05/08/2016														
DSN APRVL: R.CHELLIAH	05/08/2016														
MFG APRVL: L.TROMBLEY	05/16/2016														
QA APRVL: J.BRODEUR	05/04/2016														
MKT APRVL: P.THERRIEN	06/03/2016														
PROJ #: --		DRAWING NO													
DOCUMENT TYPE: SALES		50072501													
REL LEVEL: Released		SHEET 1 OF 1													
		REV													
		B													