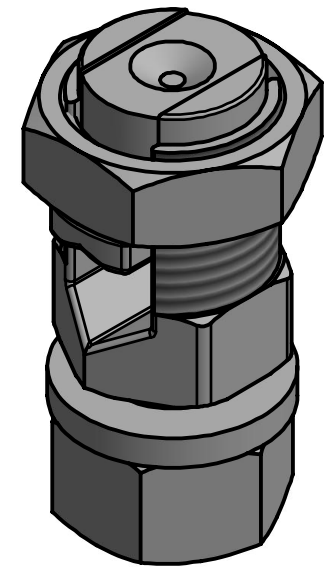
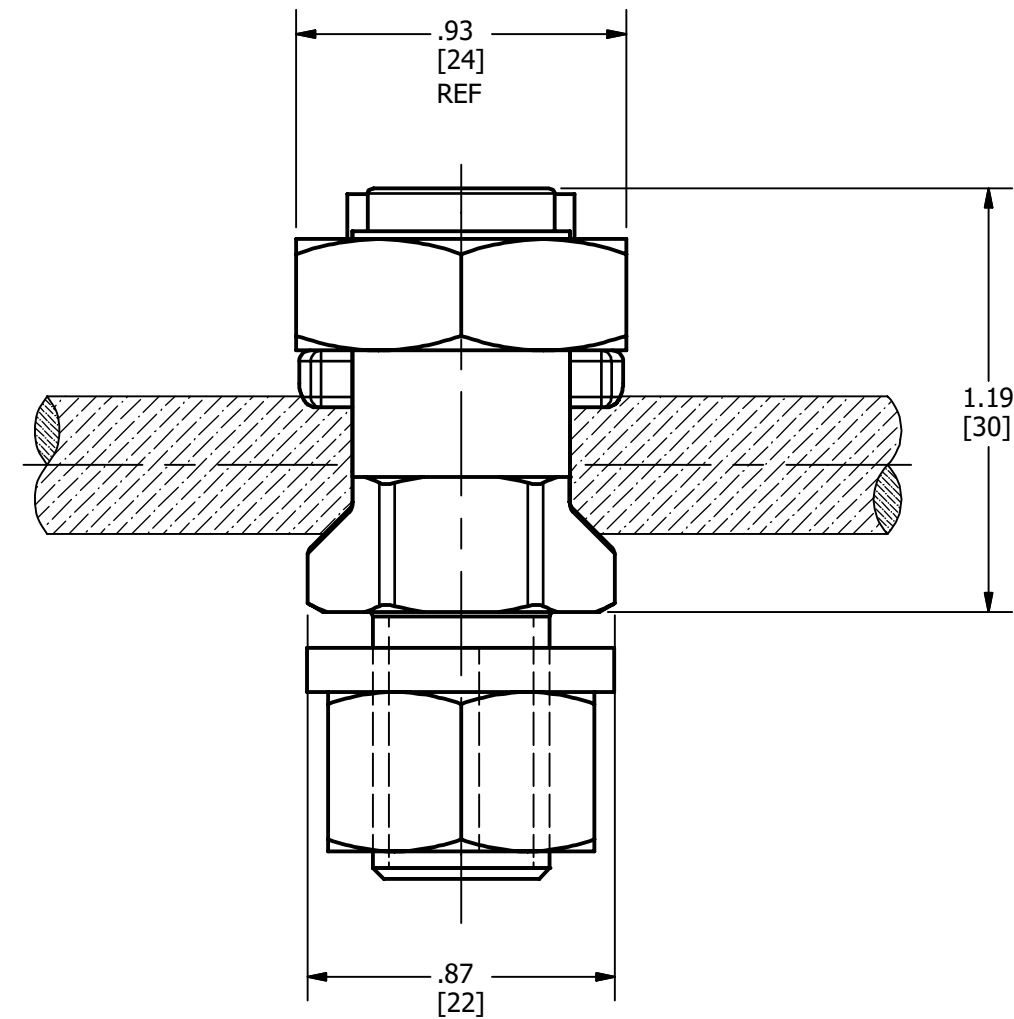
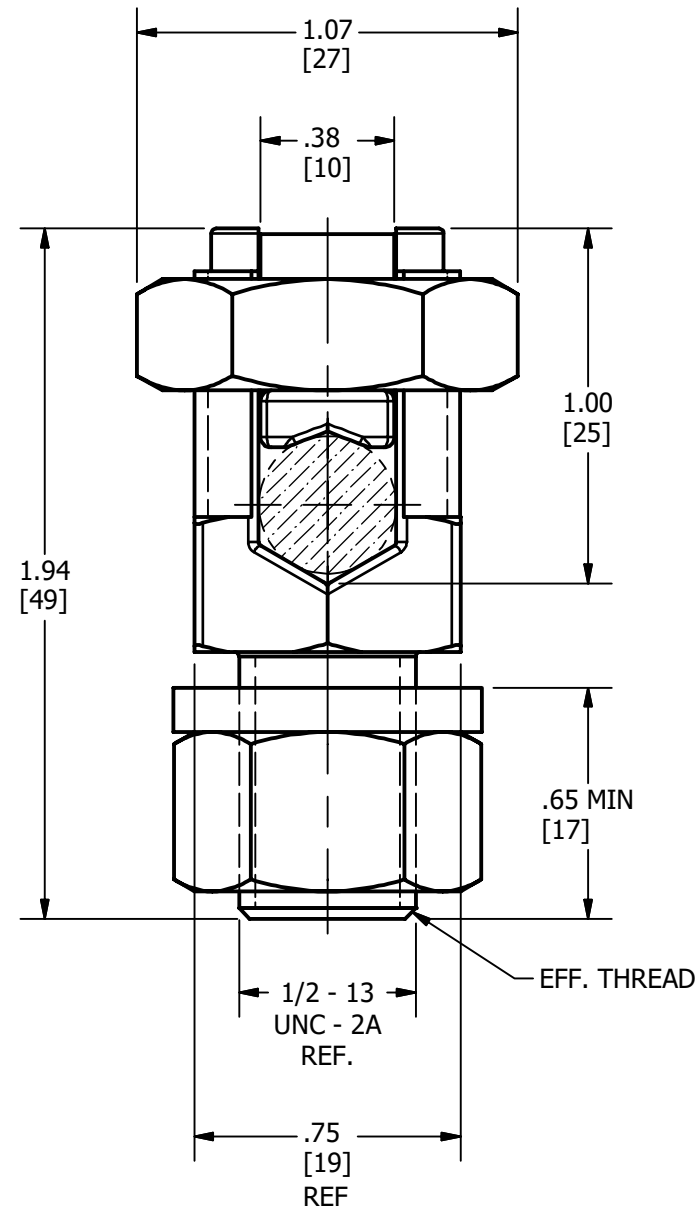


CATALOG NUMBER	CONDUCTORS ACCOMMODATED			
	AWG.		METRIC WIRE SIZE	
	STRANDED	SOLID	STRANDED	SOLID
KC25G7	2 (.292 DIA)	2 (.258 DIA)	[35MM <sup>2</sup> (6.5 DIA)]	-
	1/0 (.373 DIA)	2/0 (.365 DIA)	[50MM <sup>2</sup> (9.3 DIA)]	-

REV	DATE	DESCRIPTION	ECO	BY	C'H'K.
A	06/07/2016	NEW DRAWING CREATED	44038	TS	DD



**NOTES:**

- MATERIAL:  
SERVIT POST MALE: LEADED COMMERCIAL BRONZE.  
HARDWARE: SILICON BRONZE
- DIMENSIONS IN BRACKETS [ ] ARE IN MILLIMETERS ROUNDED OFF TO THE NEAREST MILLIMETER, UNLESS OTHERWISE SPECIFIED AND ARE FOR REFERENCE ONLY.
- APPROXIMATE WEIGHT = 0.169 LB (0.75 N)

TO ORDER BURNDY® PRODUCTS CALL		SERVIT POST™ (MALE) ASS'Y	
UNITED STATES 1-800-346-4175 (LONDONDERRY, NH)		ITEM NO: 276106	
CANADA: 1-800-361-6975 (QUEBEC) 1-800-387-6487 (ALL OTHER PROVINCES)		CAT. NO: KC25G7	
FOR PRODUCT INFO: <a href="http://www.burndy.com">http://www.burndy.com</a>		DRAWN BY: T.SATHISH 06-07-16	
		CHECKER: L.TROMBLEY 05-09-19	
		DSN APRVL: L.TROMBLEY 05-09-19	
		MFG APRVL: --	
		QA APRVL: B.ELLIOTT 05-09-19	
		MKT APRVL: --	
		PROD FAM: --	
		DRAWING NO	
		50072647	
		REV	
		A	
		SHEET 1 OF 1	