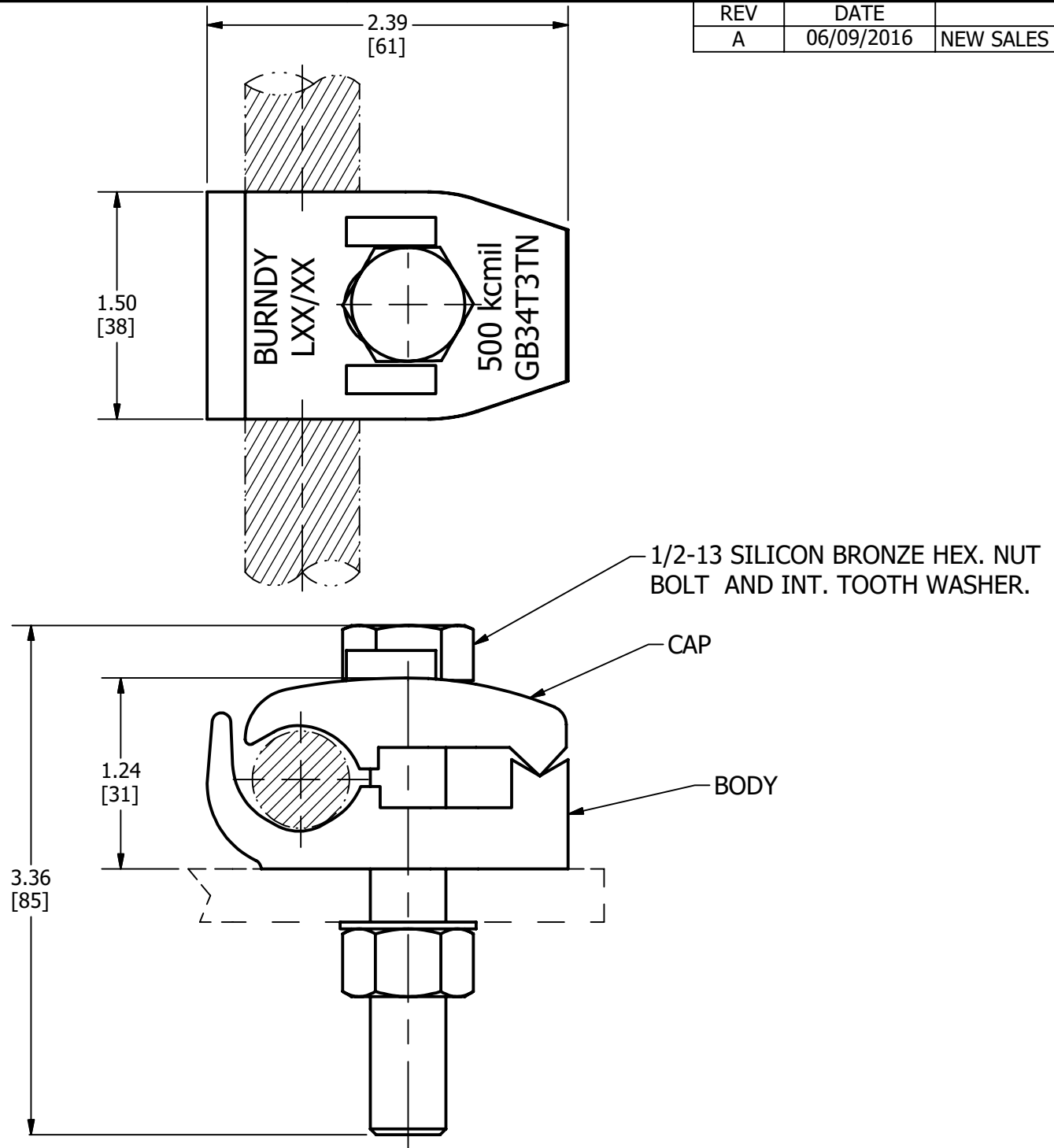


REV	DATE	DESCRIPTION	ECO	BY	CHK.
A	06/09/2016	NEW SALES DRAWING CREATED	44049	SPR	DD



NOTES:

1. MATERIAL: CAST COPPER ALLOY.
2. FINISH: TIN PLATED
3. ACCOMMODATED:
300 kcmil-500 kcmil
16.00 (.630) - 20.68 (.814) DIA.
4. NOMINAL BOLT INSTALLATION TORQUE:
1/2"-13 HEX. SILICON BRONZE 480 LB-IN [55 Nm].
5. DIMENSIONS IN BRACKETS [] ARE IN MILLIMETERS ROUNDED OFF TO THE NEAREST MILLIMETER UNLESS OTHERWISE SPECIFIED AND ARE FOR REFERENCE ONLY.

TO ORDER BURNDY® PRODUCTS CALL		GROUND CONNECTOR	
UNITED STATES 1-800-346-4175 (LONDONDERRY, NH)		ITEM NO: 10058113	
CANADA: 1-800-361-6975 (QUEBEC) 1-800-387-6487 (ALL OTHER PROVINCES)		CAT. NO: GB34T3TN	
FOR PRODUCT INFO: http://www.burndy.com		DRAWN BY: RAAMANATHAN 06/09/2016	
		CHECKER: --	
		DSN APRVL: L.TROMBLEY 09/25/2017	
		MFG APRVL: T.WAWRZYNIAK 08/09/2017	
		QA APRVL: --	
		MKT APRVL: --	
		PROD FAM: --	
		DRAWING NO	
		50072724	
		REV	
		A	
		SHEET 1 OF 1	