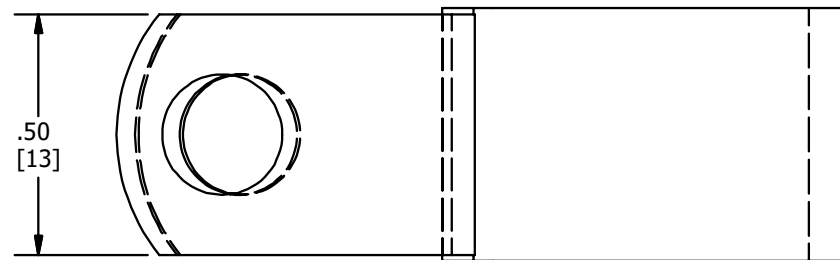
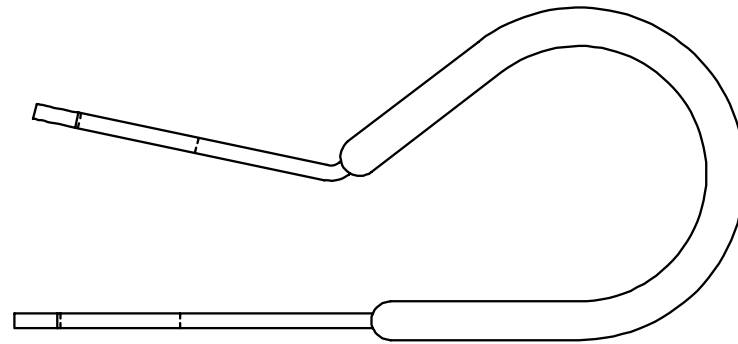
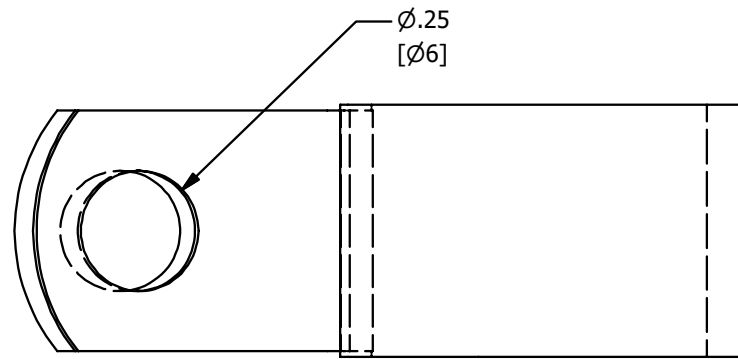
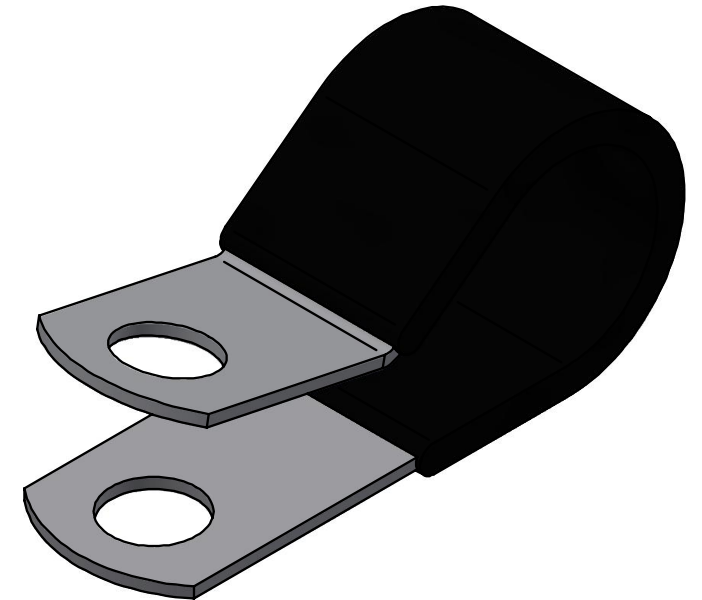
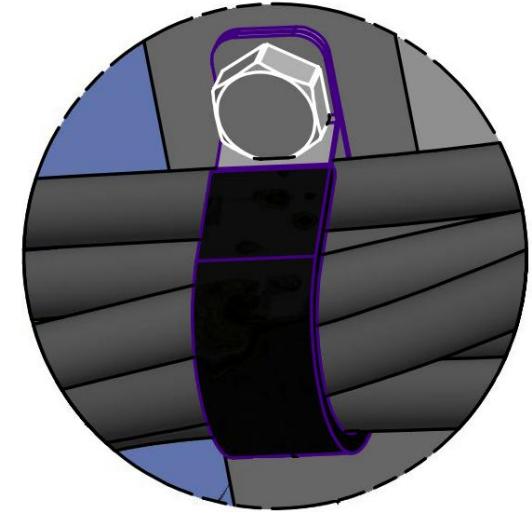


CATALOG NUMBER	ITEM NUMBER	BUNDLE SIZE
WIPC14-14	50074216	.25 [6.35]
WIPC14-12	50073097	.50 [12.70]
WIPC14-34	50073098	.75 [19.05]
WIPC14-1	50073099	1.00 [25.40]
WIPC14-112	50073100	1.50 [38.10]
WIPC14-2	50081859	2.00 [50.80]
WIPC14-3	50081860	3.00 [76.20]




REV	DATE	DESCRIPTION	EC	BY	C'H'K.
G	02-28-2024	DRAWING UPDATE	240229037313	TM	EM



3D VIEW

NOTES:

1. MATERIAL: UV-RESISTANT VINYL, ZINC-PLATED STEEL
2. DIMENSIONS IN BRACKETS [] ARE IN MILLIMETERS ROUNDED OFF TO THE NEAREST MILLIMETER, UNLESS OTHERWISE SPECIFIED AND ARE FOR REFERENCE ONLY.
3. FOR SINGLE CABLES OR BUNDLES, INSTALLED INTO A MOUNTING HOLE WITH 1/4" HARDWARE
4. LISTED TO UL1565 STANDARD FOR POSITIONING DEVICES.

TO ORDER BURNDY® PRODUCTS CALL UNITED STATES 1-800-346-4175 (LONDONDERRY, NH) CANADA: 1-800-387-6487 FOR PRODUCT INFO: http://www.burndy.com		WILEY INSULATED P-CLIP	
		ITEM NO: SEE TABLE CAT. NO: WIPC -- SEE TABLE	
DRAWN BY: D.SHEA 04-26-2017 CHECKER: E.MARTIN 01-20-2022 DSN APRVL: E.MARTIN 01-20-2022 MFG APRVL: S.SAMBATARO 03-07-2024 QA APRVL: J.BRODEUR 01-25-2022 MKT APRVL: M.BRITT 03-07-2024			
PROJECT #: SALES REL LEVEL: Released	SIZE: B	DRAWING NO: 50073101 SHEET 1 OF 1	REV: G