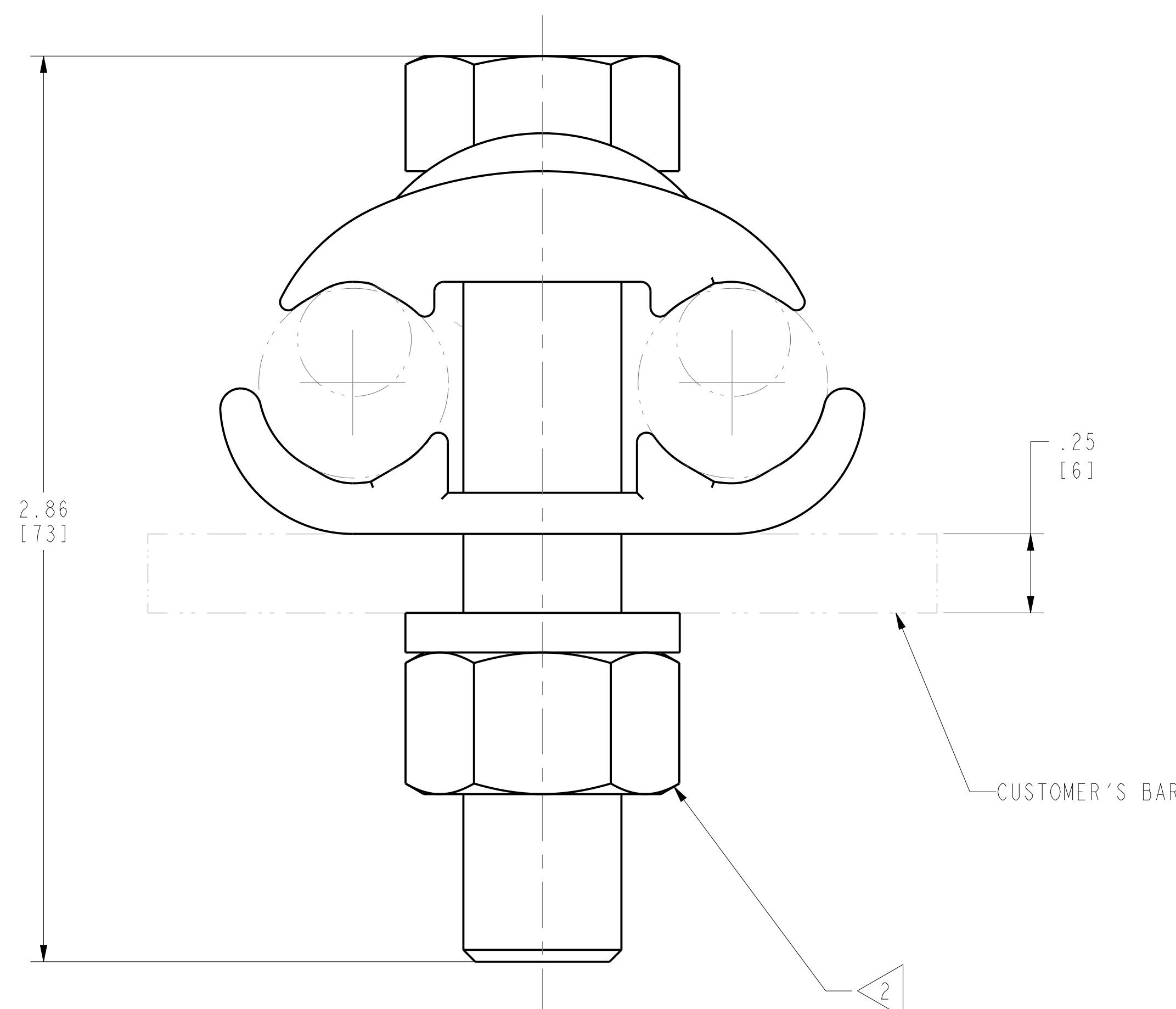
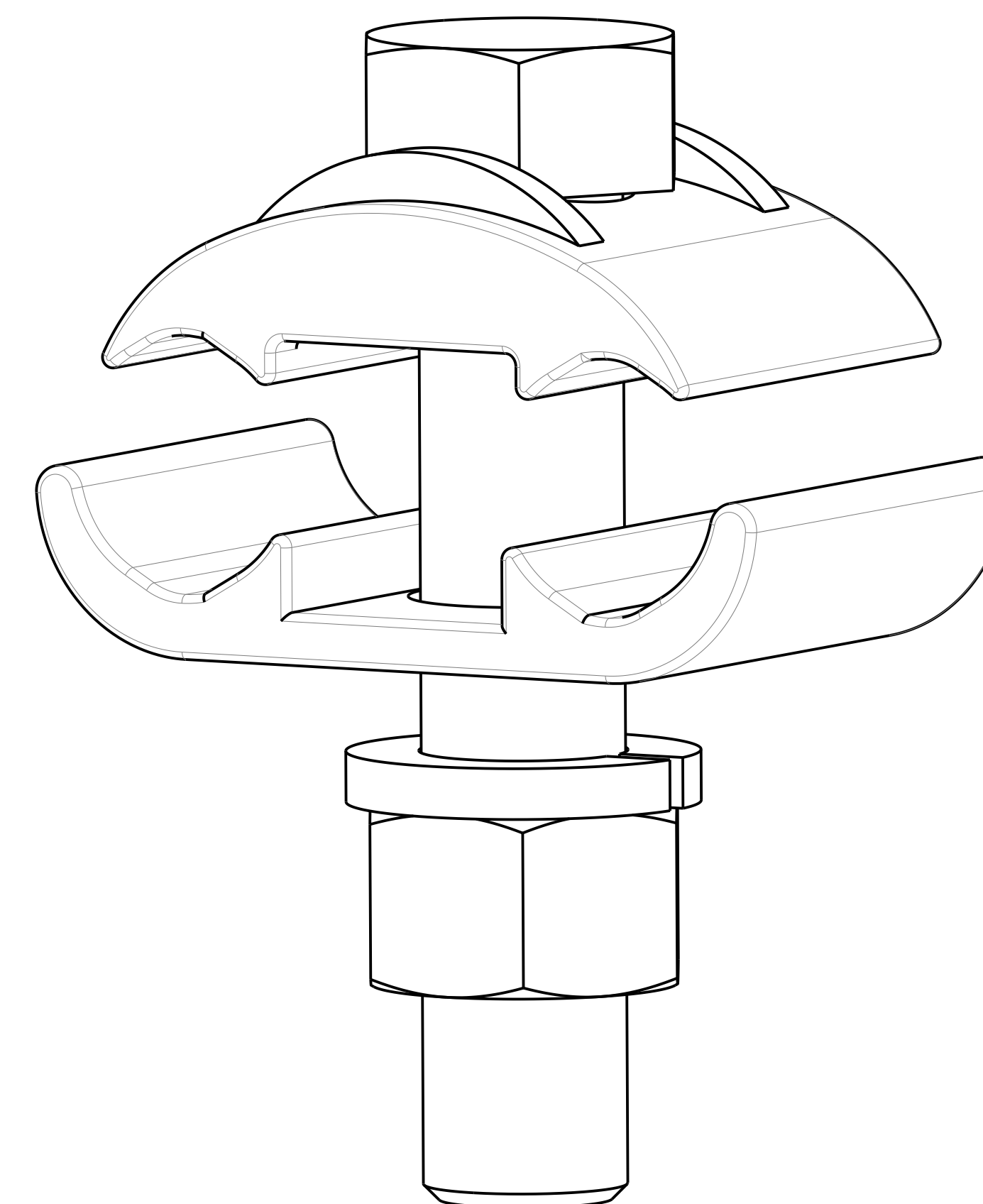
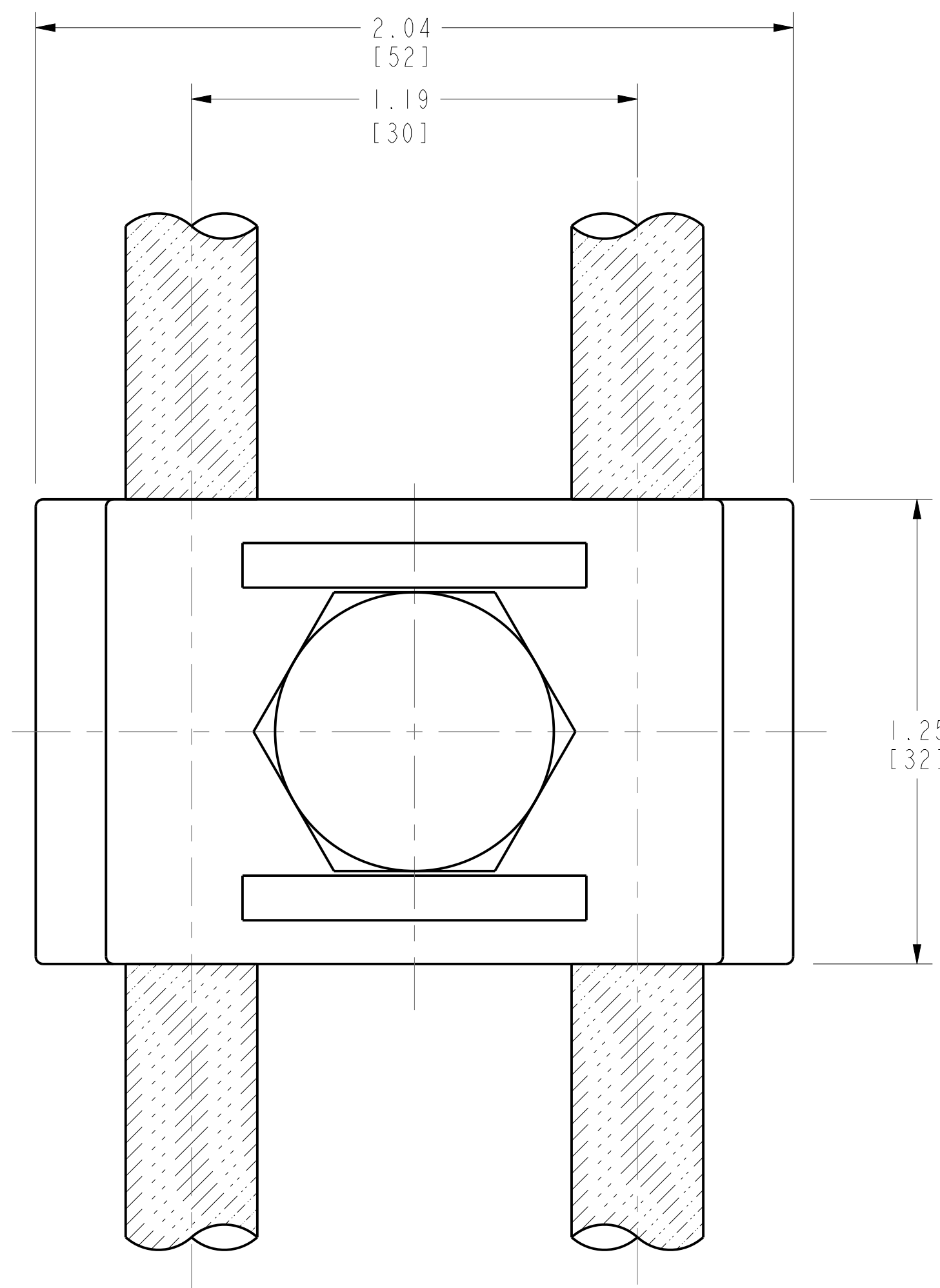


REV	DATE	DESCRIPTION	ECO	BY	C'H'K.
A	10/27/2016 12:00:00 PM	RELEASE SALES DRAWING	42256	RG	RM



NOTES:

1. MATERIAL: CAST COPPER ALLOY.
2. 1/2"-13 SILICON BRONZE HEX. HEAD BOLT, HEX NUT AND SPLIT LOCKWASHER.
3. TORQUE: 480 Lb*in (54.1 N*m).
4. COPPER CONDUCTOR RANGE EITHER GROOVE:
COMMERCIAL: 2/0 SOL (.365) - 250 kcmil (.575)
METRIC: 70 mm² STR [10.9]- 120 mm² STR [14.4]
5. DIMENSIONS IN BRACKETS [] ARE IN MILLIMETERS ROUNDED OFF TO THE NEAREST MILLIMETER, UNLESS OTHERWISE SPECIFIED, AND ARE FOR REFERENCE ONLY.

TO ORDER BURNDY® PRODUCTS CALL		GROUND CONNECTOR	
UNITED STATES		ITEM NO: 27002119	
1-800-346-4175 (LONDONDERRY, NH)		CAT. NO: GC2929CG4	
CANADA:		DRAWN BY: C. RAJEEV 10/27/16	
1-800-361-6975 (QUEBEC)		CHECKER: T. LOGAN 10/31/16	
1-800-387-6487 (ALL OTHER PROVINCES)		DSN APPVL: T. LOGAN 10/31/16	
FOR PRODUCT INFO: http://www.burndy.com		GA APPVL: P. ALEJANDRO 10/31/16	
		MKT APPVL: R. KATHLEEN 10/28/16	
		PROD FAM: --	SCALE: 2:1
		PROJECT #: --	DRAWING NO
		DOCUMENT TYPE: Sales	50074815
		REL LEVEL: Released	SHEET 1 OF 1



D

C

B

A

D

C

B

A

REV: PEO200