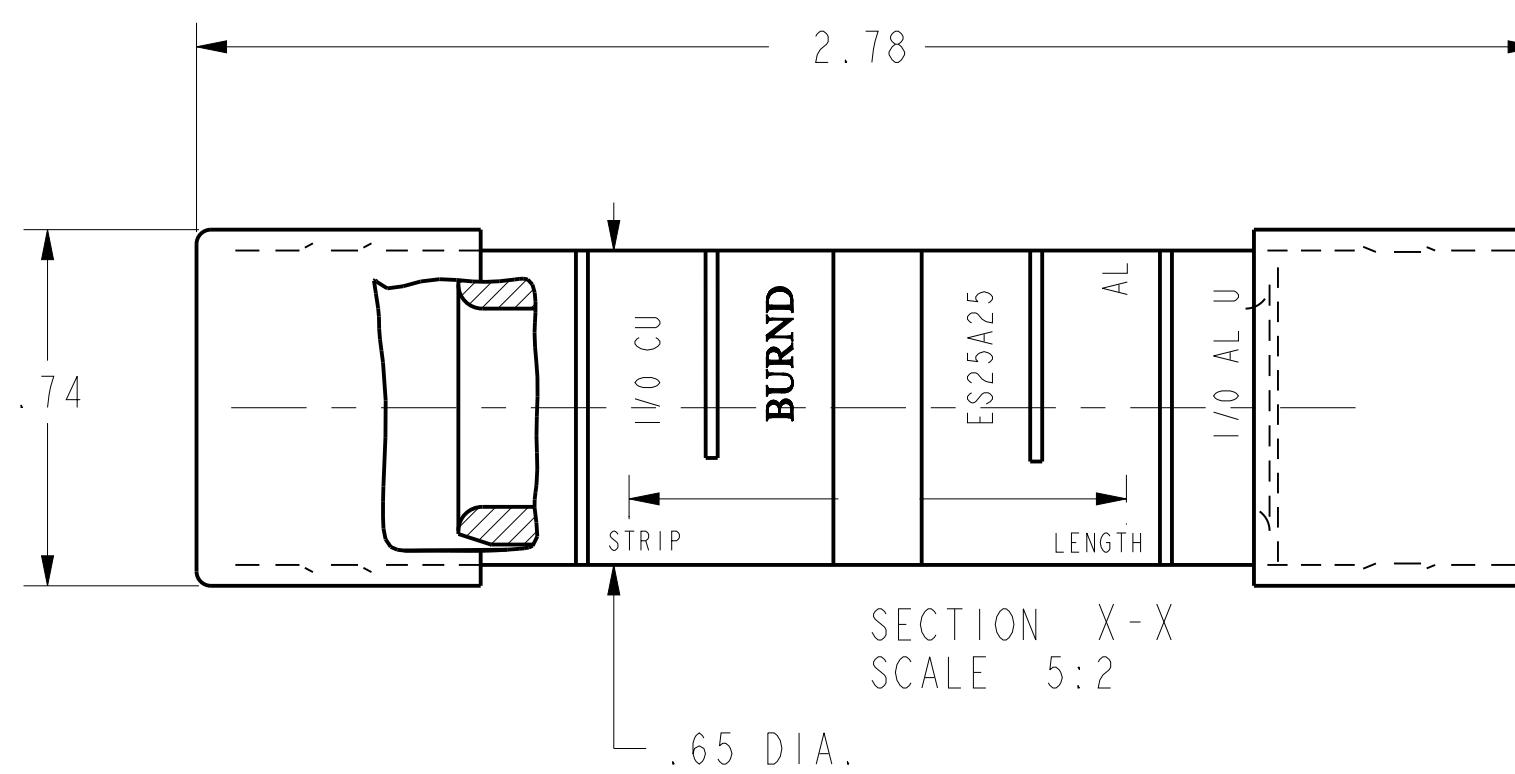
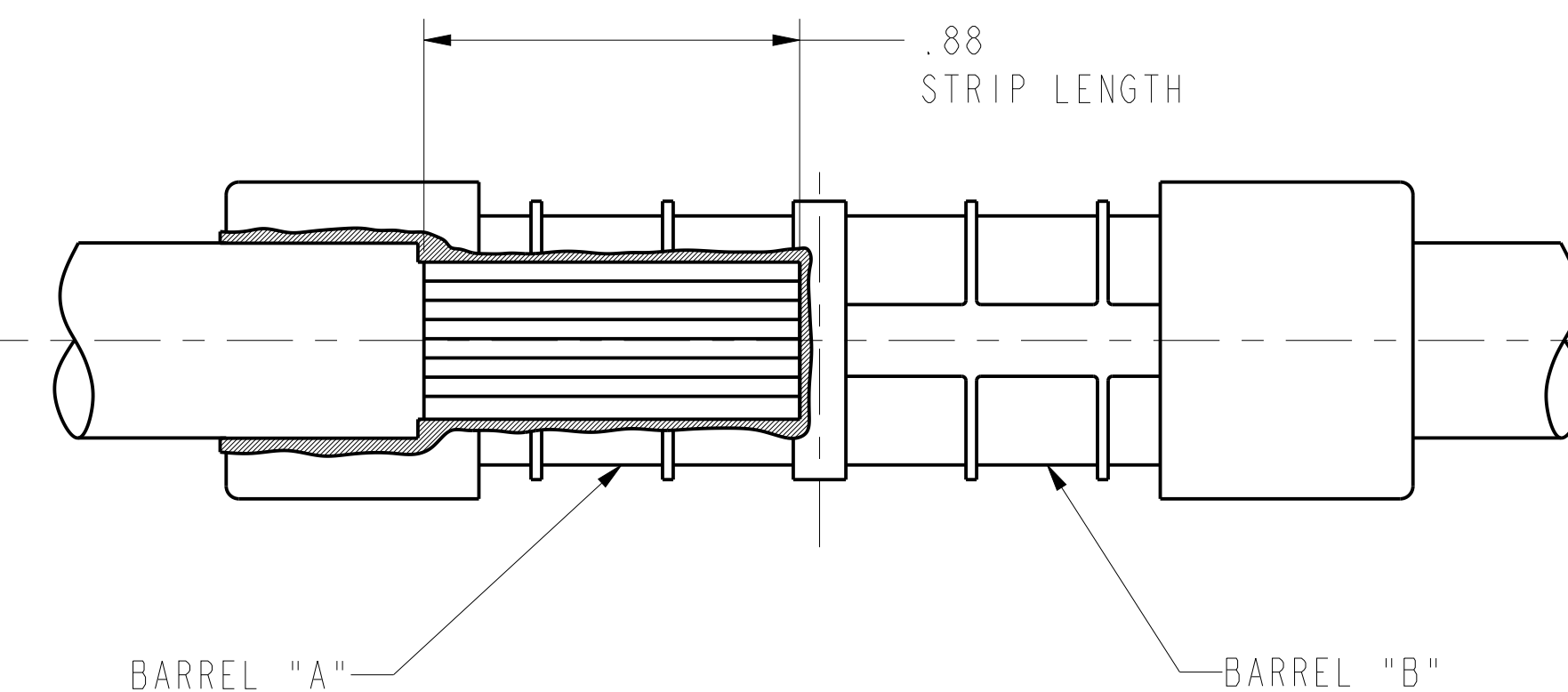
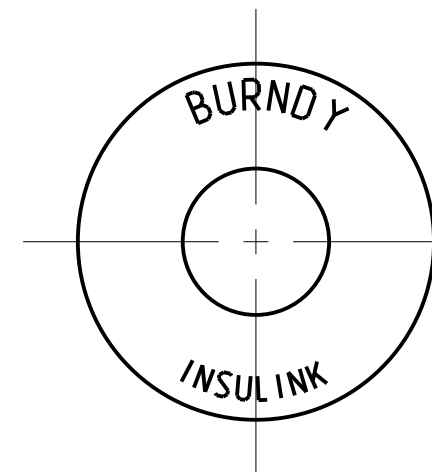


| CATALOG NUMBER | BARREL 'A' |      |          |        |            | BARREL 'B' |      |          |        |            | DIE INDEX NO. | HYTOOL™ WITH NUMBER OF CRIMPS PER END |      |   |        |      |      | HYPRESS™ WITH NO. OF CRIMPS PER END |      |   |
|----------------|------------|------|----------|--------|------------|------------|------|----------|--------|------------|---------------|---------------------------------------|------|---|--------|------|------|-------------------------------------|------|---|
|                | ACSR       |      | ALUMINUM | COPPER | COLOR CODE | ACSR       |      | ALUMINUM | COPPER | COLOR CODE |               | MD6                                   | OH25 |   | OUR840 | Y750 |      | Y35                                 |      |   |
|                | SIZE       | STR. |          |        |            | SIZE       | STR. |          |        |            |               |                                       | ---  | I |        | U-BG | I    | U-BG                                | I    |   |
| ES6R6R         | #6 SB      | 6-1  | #6       | #6     | BLUE       | #6 SB      | 6-1  | #6       | #6     | BLUE       | BG OR 5/8     | 3<br>W-BG                             | ---  | I | X-NBG  | I    | U-BG | I                                   | U-BG | I |

| REV | DATE                   | DESCRIPTION               | ECO   | BY | C.H.K. |
|-----|------------------------|---------------------------|-------|----|--------|
| A   | 10/04/2016 00:00:00 AM | NEW SALES DRAWING CREATED | 44773 | SM | MB     |



VIEW BEFORE INSTALLATION



VIEW AFTER INSTALLATION

NOTES:

1. BARREL IS PARTIALLY FILLED WITH PENETROX™ AND SEALED.

2. TWO CRIMPS MADE SIMULTANEOUSLY.

3. MULTIPLE CRIMP DIE SET.

4. MATERIAL: CONNECTOR - ALUMINUM

5. DIMENSIONS IN BRACKETS [ ] ARE IN MILLIMETERS ROUNDED OFF TO THE NEAREST MILLIMETER, UNLESS OTHERWISE NOTED, AND ARE FOR REFERENCE ONLY.

6. INSTALLATION INSTRUCTIONS:

1. STRIP CABLE INSULATION 7/8" (STRIP LENGTH INDICATED ON INSULINK™). FOR BEST RESULTS, REMOVE COTTON BRAID FOR AN ADDITIONAL 3/4" ON WEATHERPROOF AND SE TYPE CONDUCTORS

2. SCRATCH BRUSHING OF ALUMINUM CONDUCTORS, BEFORE MAKING INSTALLATIONS, IS RECOMMENDED.

3. INSERT CONDUCTOR THROUGH CENTER OF CAP AND THEN PUSH CONDUCTOR SO THAT STRIPPED END SEATS IN CONNECTOR AND INSULATION ENTERS CAP.

4. USING PROPER TOOL, CRIMP BETWEEN GUIDE LINES. MAKE INNERMOST CRIMP FRIST AND CRIMP TOWARD END. REPEAT FOR OTHER-SIDE.

|   |  |                                 |                                |
|---|--|---------------------------------|--------------------------------|
| TO ORDER BURNDY® PRODUCTS CALL  |  | INSULINK™                       |                                |
| UNITED STATES<br>1-800-346-4175 (LONDONDERRY, NH)                           |  | ITEM NO: 10056474               | CAT. NO: ES6R6R                |
| CANADA:<br>1-800-361-6975 (QUEBEC)<br>1-800-387-6487 (ALL OTHER PROVINCES)  |  | DRAWN BY: SMOORTHY 10/04/2016   | CHECKER: MANIKANDAN 10/04/2016 |
| FOR PRODUCT INFO: <a href="http://www.burndy.com">http://www.burndy.com</a> |  | DSN APPVL: W ZAHLMAN 10/04/2016 | MFG APPVL: -- --               |
|   |  | GA APPVL: J BRODEUR 10/04/2016  | MKT APPVL: J HALL 10/04/2016   |
|   |  | PROD FAM: --                    | SCALE: 3:1                     |
|   |  | PROJECT #: --                   | SIZE: D                        |
|   |  | DOCUMENT TYPE: Sales            | DRAWING NO: 50075594           |
|   |  | REL LEVEL: Released             | REV: A                         |
|   |  | SHEET 1 OF 1                    |                                |

REV: PEO200