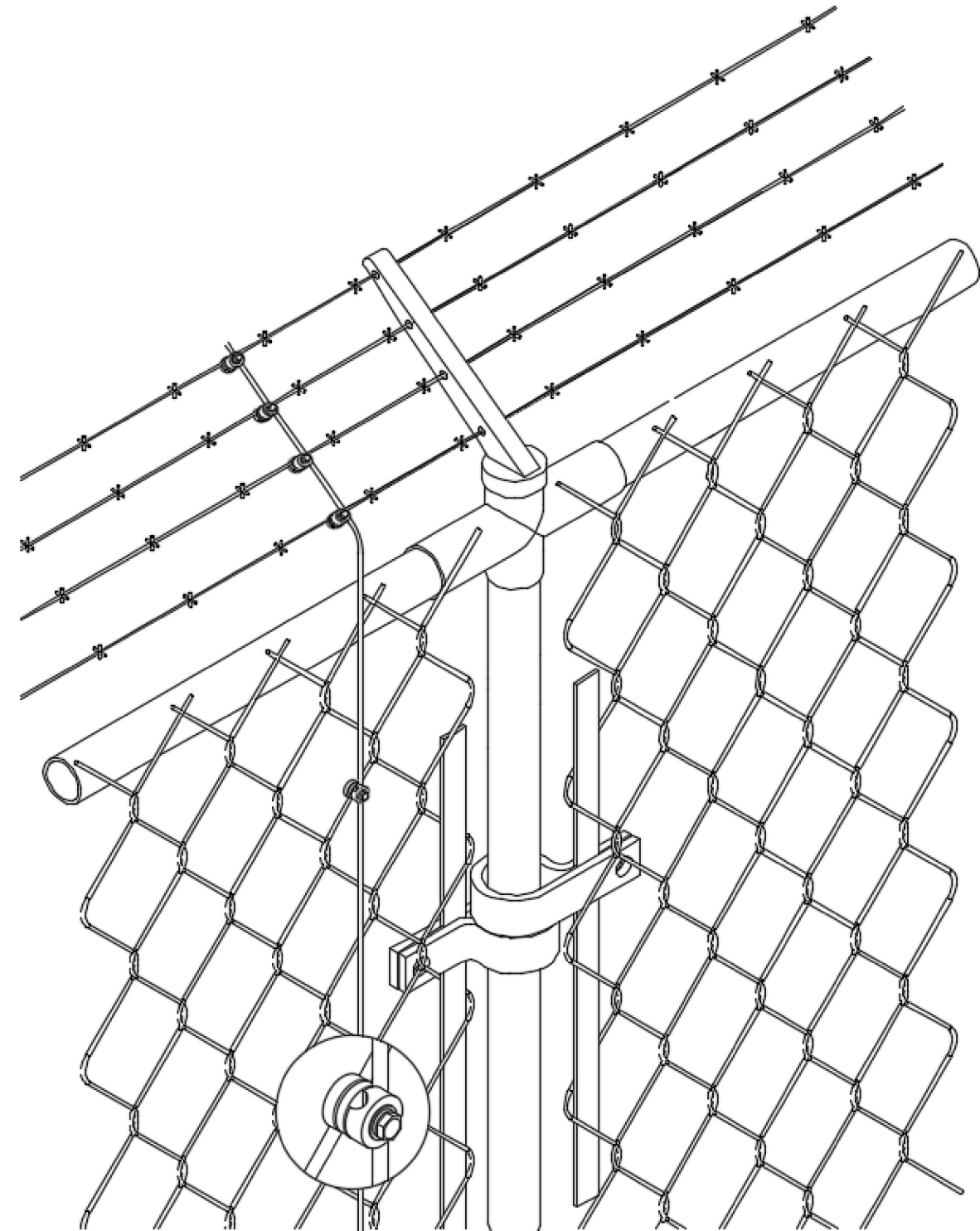
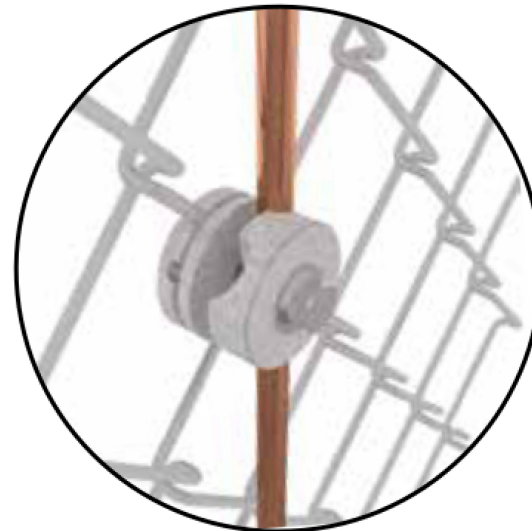
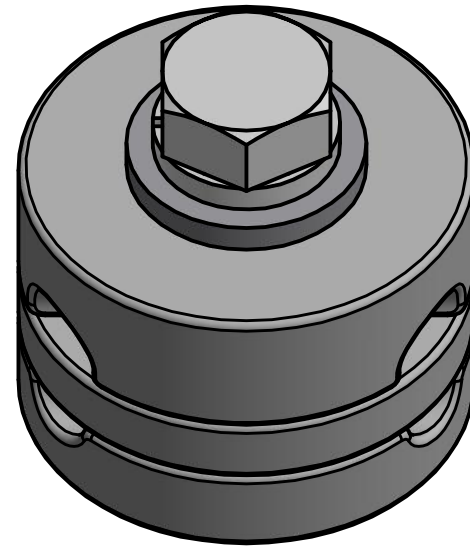
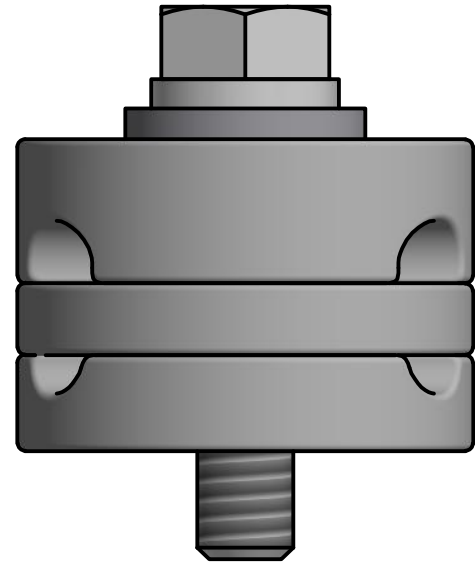


CATALOG #	ITEM #	CONDUCTOR	INSTALL TORQUE
FFGC8	50072024	#8 AWG	67 IN-LB
FFGC6	50072037	#6 AWG	67 IN-LB
FFGC4	50072038	#4 AWG	67 IN-LB
FFGC2	300106020	#2 AWG	67 IN-LB
FFGC2/0	50072039	#2/0 AWG	67 IN-LB
FFGC4/0	50131862	#4/0 AWG	67 IN-LB

REV	DATE	DESCRIPTION	ECO	BY	C'H'K.
C	12/01/2022	ADD 4/0 VERSION TO TABLE	221201025998	PC	NB



NOTES:

- MATERIAL:
HARDWARE - STAINLESS STEEL
CONNECTOR - TIN-PLATED COPPER
- PRODUCTS ARE cULus LISTED AS GROUNDING & BONDING EQUIPMENT PER UL 467 & CSA 22.2 NO. 41, UL FILE E9999.
- ADD "BR" SUFFIX FOR BARE COPPER ASSEMBLY WITH NO TIN-PLATING.
- SUITABLE FOR DIRECT BURIAL IN EARTH OR CONCRETE.

TO ORDER BURNDY® PRODUCTS CALL
 UNITED STATES
 1-800-346-4175 (LONDONDERRY, NH)
 CANADA:
 1-800-361-6975 (QUEBEC)
 1-800-387-6487 (ALL OTHER PROVINCES)
 FOR PRODUCT INFO: <http://www.burndy.com>

FENCE FABRIC GROUNDING CLAMP	
ITEM NO: FFGC (TABLE)	
CAT. NO: (SEE TABLE)	
DRAWN BY: C. RAJEEV GANDHI	10/21/2016
CHECKER: L. TROMBLEY	10/27/2016
DSN APRVL: L. TROMBLEY	10/26/2016
MFG APRVL: --	--
QA APRVL: --	--
MKT APRVL: K. ROBICHEAU	10/25/2016
PROD FAM: --	DRAWING NO
PROJECT #: --	SIZE
DOCUMENT TYPE: SALES	50077675
REL LEVEL: Released	B
	SHEET 1 OF 1
	REV
	C

